



TECHNOLOGY
INNOVATION
SERVICES

EVERFIT TECHNOLOGY CO., LTD.
詠晟科技股份有限公司





詠晟科技股份有限公司之前身為茗場工業股份有限公司，創立於1976年，主要從事不銹鋼管配件之專業製造廠。產品範圍包括：衛生食品級管接頭、管束、閥類，半導體用真空法蘭，BPE級生化製藥用管接頭等。

另也承製各式不銹鋼鍛造、加工之客製品服務。

公司於2005年在彰化近郊成立鍛造廠，佔地1500平方公尺，設有2條生產線從事各類零組件之熱作鍛造，並自行開發模具製作，大量縮短產品之製作時程與降低生產成本，提升產品競爭力。

為提高產品之完整性與擴大滿足客戶之需求，詠晟公司於2009年中與雄駿公司完成合併，加強各類閥門之開發與組裝業務，並將業務項目延伸到建築五金用不銹鋼零組件之製作。

2011完成和美新廠，廠房總面積約有4000平方公尺；冀望因寬敞的新環境與順暢的流程規劃，能為客戶提供更好與更有競爭的服務，努力達成公司的品質政策：「品質第一、服務至上」。

EVERFIT



About the company

Everfit Technology Co., Ltd. is formerly known as Ming Yang Industry Co., Ltd., was established in 1976. We are a leading manufacturer in producing professional stainless steel parts and fittings. Our products include: sanitary ferrules, clamp, valves, flanges, and BPE ferrules, these products are widely used in sanitary food processing, pharmaceutical industry, and vacuum semi-conductor factory, etc.

Our forging factory was set up in 2005 located in Changhua, with an area of 1,500 square meters. We equip two hot forging production lines. Moreover we are able to develop the forging molds in house; it will save time and money for production wise enhancing company competitiveness.

In 2009, we broadened our product range to fulfill customers' demands we merged with Shiung Jiun Enterprise for business expansion. We are strengthening in the development of the valve business and assembly, and also extending our business to architectural hardware products.

With 4,000 square meters area newly built factory, we moved to Hemei in 2011. We improved our factory environment, machines, QC equipment, and inventory storage. We will surely provide you the exceptional customer service and high-quality products. We always strive for our company policy "Quality First Excellent Service".

The image features a close-up of industrial machinery, likely a valve or actuator, with a metallic finish. A prominent yellow circular graphic with a white center is overlaid on the machinery. Inside this circle, the words "Quality Assurance" are written in a dark green, serif font. The background is a soft-focus green with a faint grid pattern. The overall composition is clean and professional, emphasizing precision and reliability.

Quality Assurance

Index

	page
PRODUCTION EQUIPMENT	05-06
INSPECT EQUIPMENT	07
BPE FITTING	08-27
DIAPHRAGM VALVE	28-31
MIXPROOF VALVE	32-33
PNEUMATIC SEAT VALVE	34-38
MANUAL SEAT VALVE	39-43
FLOW CONTROLLING VALVE	44-45
MANUAL TANK VALVE	46-47
PNEUMATIC TANK VALVE	48-49
ACTUATOR	50-58
BUTTERFLY VALVE	59-66
CHECK VALVE	67-69
SIGHT GLASS	70-74
SAMPLE VALVE	75-77
RELIEF VALVE	78
STRAINER	79-81
SPECIAL VALVE	82
SPRAY BALL	83-84
WING BALL VALVE / BALL VALVE	85-94
FERRULE / FERRULE ADAPTER	95-98
CLAMP / HANGER	99-100
SANITARY FITTING (BEND/TEE/REDUCER/CROSS)	101-112
UNION (SMS/IDF/DIN/RJT/3A)	113-126

PRODUCTION EQUIPMENT





INSPECT EQUIPMENT



BPE FITTING



ASME BPE PRODUCT SPECIFICATION

Material

316L, chemical composition in accordance with Table DT-3
304L, 1.4404 and 1.4435 also available

Tolerances

According to ASME BPE Table DT-3-1 and Table DT-3-2

Weld Ends

Weld ends of tubes and fittings are prepared for orbital automatic tube weld

Surface Finish

We provide quality mechanical polish from 32 μ -in through to 15 μ -in.
Electropolishing and other requirements are available upon request.

Test Procedures

Control of dimensions
End preparation
Internal surface roughness measurements
Visual inspection

Product Marking

Besides EVERFIT, we will imprint the part number, heat number,
ASME BPE and surface finish designation

Packaging

All finish products will be packed to suit the special conditions for
international deliveries.

Documentation

Certified material test report as per EN 10204 3.1
Raw material certification available upon request

ORDERING INFORMATION : Surface Finish SF1 or SF4

DT-4-1 (DT 1)

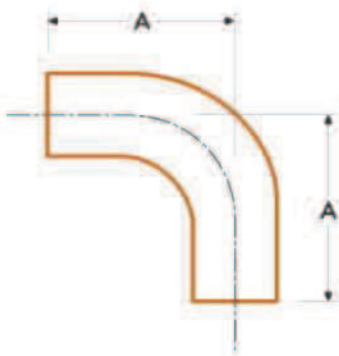
Tubes

Nominal Size		Tube Wall Thickness		Part Number
inch	mm.	inch	mm.	
1/4	6.35	0.035	0.89	31A02094008
3/8	9.53	0.035	0.89	31A03094008
1/2	12.70	0.065	1.65	31A04166008
3/4	19.05	0.065	1.65	31A06166008
1	25.40	0.065	1.65	31A10166008
1 1/2	38.10	0.065	1.65	31A14166008
2	50.80	0.065	1.65	31A20166008
2 1/2	63.50	0.065	1.65	31A24166008
3	76.20	0.065	1.65	31A30166008
4	101.60	0.083	2.11	31A40166008
6	152.40	0.109	2.77	31A60166008

DT-4.1.1-1 (DT 7)

Automatic Tube Weld:

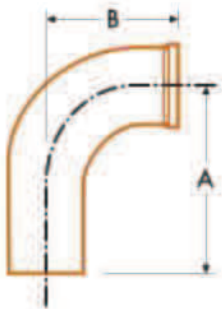
90° Elbow



Nominal Size		A		Part Number
inch	mm.	inch	mm	
1/4	6.35	2.625	66.70	1181101002
3/8	9.53	2.625	66.70	1181101003
1/2	12.70	3.000	76.20	1181101004
3/4	19.05	3.000	76.20	1181101006
1	25.40	3.000	76.20	1181101010
1 1/2	38.10	3.750	95.30	1181101014
2	50.80	4.750	120.70	1181101020
2 1/2	63.50	5.500	139.70	1181101024
3	76.20	6.250	158.80	1181101030
4	101.60	8.000	203.20	1181101040
6	152.40	11.500	292.10	1181101060

DT-4.1.1-2 (DT12)

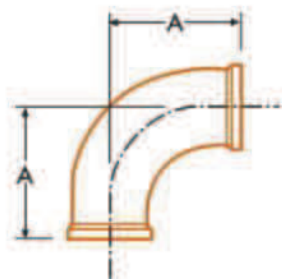
Automatic Tube Weld:
Hygienic Clamp Joint,
90° Elbow



Nominal Size		A		B		Part Number
inch	mm.	inch	mm.	inch	mm.	
1/4	6.35	2.625	66.70	1.625	41.30	1181801002
3/8	9.53	2.625	66.70	1.625	41.30	1181801003
1/2	12.70	3.000	76.20	1.625	41.30	1181801004
3/4	19.05	3.000	76.20	1.625	41.30	1181801006
1	25.40	3.000	76.20	2.000	50.80	1181801010
1 1/2	38.10	3.750	95.30	2.750	69.90	1181801014
2	50.80	4.750	120.70	3.500	88.90	1181801020
2 1/2	63.50	5.500	139.70	4.250	108.00	1181801024
3	76.20	6.250	158.80	5.000	127.00	1181801030
4	101.60	8.000	203.20	6.625	168.20	1181801040
6	152.40	11.500	292.10	10.500	266.70	1181801060

DT-4.1.1-3 (DT16)

Hygienic Clamp Joint:
90° Elbow

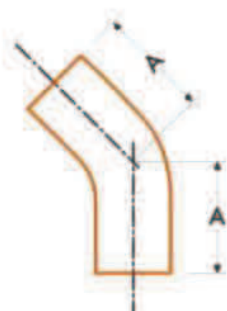


Nominal Size		A		Part Number
inch	mm.	inch	mm.	
1/4	6.35	1.625	41.30	1182201002
3/8	9.53	1.625	41.30	1182201003
1/2	12.70	1.625	41.30	1182201004
3/4	19.05	1.625	41.30	1182201006
1	25.40	2.000	50.80	1182201010
1 1/2	38.10	2.750	69.90	1182201014
2	50.80	3.500	88.90	1182201020
2 1/2	63.50	4.250	108.00	1182201024
3	76.20	5.000	127.00	1182201030
4	101.60	6.625	168.30	1182201040
6	152.40	10.500	266.70	1182201060

DT-4.1.1-4 (DT 8)

Automatic Tube Weld:

45° Elbow



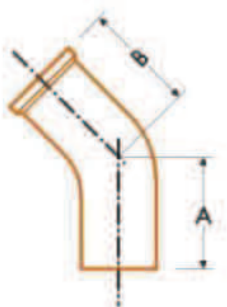
Nominal Size		A		Part Number
inch	mm.	inch	mm.	
1/4	6.35	2.000	50.80	1181201002
3/8	9.53	2.000	50.80	1181201003
1/2	12.7	2.250	57.20	1181201004
3/4	19.05	2.250	57.20	1181201006
1	25.40	2.250	57.20	1181201010
1 1/2	38.10	2.500	63.50	1181201014
2	50.80	3.000	76.20	1181201020
2 1/2	63.50	3.375	85.70	1181201024
3	76.20	3.625	92.10	1181201030
4	101.60	4.500	114.30	1181201040
6	152.40	6.250	158.80	1181201060

DT-4.1.1-5 (DT 13)

Automatic Tube Weld:

Hygienic Clamp Joint,

45° Elbow

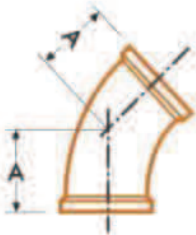


Nominal Size		A		B		Part Number
inch	mm.	inch	mm.	inch	mm.	
1/4	6.35	2.000	50.80	1.000	25.40	1181901002
3/8	9.53	2.000	50.80	1.000	25.40	1181901003
1/2	12.70	2.250	57.20	1.000	25.40	1181901004
3/4	19.05	2.250	57.20	1.000	25.40	1181901006
1	25.40	2.250	57.20	1.125	28.60	1181901010
1 1/2	38.10	2.500	63.50	1.438	36.50	1181901014
2	50.80	3.000	76.20	1.750	44.50	1181901020
2 1/2	63.50	3.375	85.70	2.063	52.40	1181901024
3	76.20	3.625	92.10	2.375	60.30	1181901030
4	101.60	4.500	114.30	3.125	79.40	1181901040
6	152.40	6.250	158.80	5.250	133.40	1181901060

DT-4.1.1-6 (DT17)

Hygienic Clamp Joint:

45° Elbow

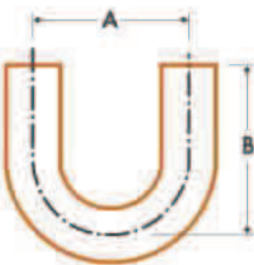


Nominal Size		A		Part Number
inch	mm.	inch	mm.	
1/4	6.35	1.000	25.40	1182301002
3/8	9.53	1.000	25.40	1182301003
1/2	12.70	1.000	25.40	1182301004
3/4	19.05	1.000	25.40	1182301006
1	25.40	1.125	28.60	1182301010
1 1/2	38.10	1.438	36.50	1182301014
2	50.80	1.750	44.50	1182301020
2 1/2	63.50	2.063	52.40	1182301024
3	76.20	2.375	60.30	1182301030
4	101.60	3.125	79.40	1182301040
6	152.40	5.250	133.40	1182301060

DT-4.1.1-7 (DT23)

Automatic Tube Weld:

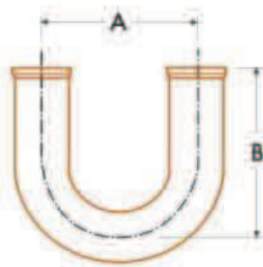
180° Return Bend



Nominal Size		A		B		Part Number
inch	mm.	inch	mm.	inch	mm.	
1/4	6.35	4.500	114.30	2.625	66.70	1185001002
3/8	9.53	4.500	114.30	2.625	66.70	1185001003
1/2	12.70	4.500	114.30	3.000	76.20	1185001004
3/4	19.05	4.500	114.30	3.000	76.20	1185001006
1	25.40	3.000	76.20	3.000	76.20	1185001010
1 1/2	38.10	4.500	114.30	4.500	114.30	1185001014
2	50.80	6.000	152.40	5.000	127.00	1185001020
2 1/2	63.50	7.500	190.50	5.750	146.10	1185001024
3	76.20	9.000	228.60	6.500	165.10	1185001030
4	101.60	12.000	304.80	8.500	215.90	1185001040
6	152.40	18.000	457.20	11.500	292.10	1185001060

DT-4.1.1-8 (DT 24)

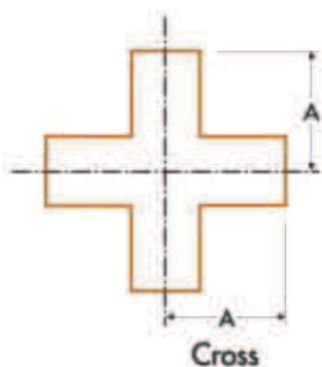
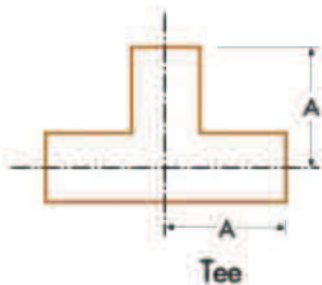
Hygienic Clamp Joint:
180° Return Bend



Nominal Size		A		B		Part Number
inch	mm.	inch	mm.	inch	mm.	
1/4	6.35	4.500	114.30	3.125	79.40	1185101002
3/8	9.53	4.500	114.30	3.125	79.40	1185101003
1/2	12.70	4.500	114.30	3.500	88.90	1185101004
3/4	19.05	4.500	114.30	3.500	88.90	1185101006
1	25.40	3.000	76.20	3.500	88.90	1185101010
1 1/2	38.10	4.500	114.30	5.000	127.00	1185101014
2	50.80	6.000	152.40	5.500	139.70	1185101020
2 1/2	63.50	7.500	190.50	6.250	158.80	1185101024
3	76.20	9.000	228.60	7.000	177.80	1185101030
4	101.60	12.000	304.80	9.125	231.80	1185101040
6	152.40	18.000	457.20	13.000	330.20	1185101060

DT-4.1.2-1 (DT 9 / DT 9C)

Automatic Tube Weld:
Straight Tee/
Straight Cross

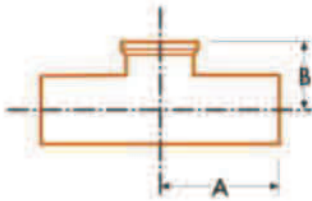


Nominal Size		A		Part Number	Part Number
inch	mm.	inch	mm.	Straight Tee	Straight Cross
1/4	6.35	1.750	44.50	1181301002	1181401002
3/8	9.53	1.750	44.50	1181301003	1181401003
1/2	12.70	1.875	47.60	1181301004	1181401004
3/4	19.05	2.000	50.80	1181301006	1181401006
1	25.40	2.125	54.00	1181301010	1181401010
1 1/2	38.10	2.375	60.30	1181301014	1181401014
2	50.80	2.875	73.00	1181301020	1181401020
2 1/2	63.50	3.125	79.40	1181301024	1181401024
3	76.20	3.375	85.70	1181301030	1181401030
4	101.60	4.125	104.80	1181301040	1181401040
6	152.40	5.625	142.90	1181301060	1181401060

DT-4.1.2-2 (DT 15)

Automatic Tube Weld:

**Short Outlet
Hygienic Clamp Joint
Tee**



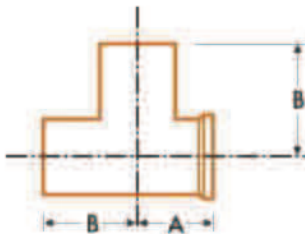
Nominal Size		A		B		Part Number
inch	mm.	inch	mm.	inch	mm.	
1/4	6.35	1.750	44.50	1.000	25.40	1182101002
3/8	9.53	1.750	44.50	1.000	25.40	1182101003
1/2	12.70	1.875	47.60	1.000	25.40	1182101004
3/4	19.05	2.000	50.80	1.125	28.60	1182101006
1	25.40	2.125	54.00	1.125	28.60	1182101010
1 1/2	38.10	2.375	60.30	1.375	34.90	1182101014
2	50.80	2.875	73.00	1.625	41.30	1182101020
2 1/2	63.50	3.125	79.40	1.875	47.60	1182101024
3	76.20	3.375	85.70	2.125	54.00	1182101030
4	101.60	4.125	104.80	2.750	69.90	1182101040
6	152.40	5.625	142.90	4.625	117.50	1182101060

DT-4.1.2-3 (DT 25)

Hygienic

Mechanical Joint:

Short Outlet Run Tee

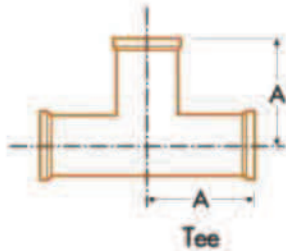


Nominal Size		A		B		Part Number
inch	mm.	inch	mm.	inch	mm.	
1/4	6.35	0.875	22.20	1.750	44.50	1185201002
3/8	9.53	0.875	22.20	1.750	44.50	1185201003
1/2	12.70	0.875	22.20	1.875	47.60	1185201004
3/4	19.05	1.000	25.40	2.000	50.80	1185201006
1	25.40	1.125	28.60	2.125	54.00	1185201010
1 1/2	38.10	1.375	34.90	2.375	60.30	1185201014
2	50.80	1.625	41.30	2.875	73.00	1185201020
2 1/2	63.50	1.875	47.60	3.125	79.40	1185201024
3	76.20	2.125	54.00	3.375	85.70	1185201030
4	101.60	2.750	69.90	4.125	104.80	1185201040
6	152.40	4.625	117.50	5.625	142.90	1185201060

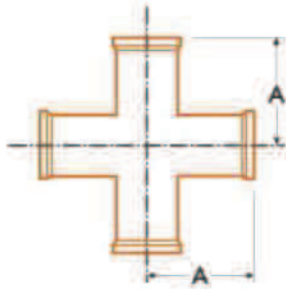
DT-4.1.2-4 (DT 18 / DT 18C)

Hygienic Clamp Joint:

**Straight Tee/
Straight Cross**



Tee



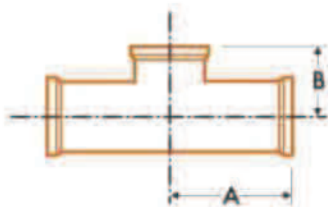
Cross

Nominal Size		A		Part Number Straight Tee	Part Number Straight Cross
inch	mm.	inch	mm.		
1/4	6.35	2.250	57.20	1182401002	1182501002
3/8	9.53	2.250	57.20	1182401003	1182501003
1/2	12.70	2.250	57.20	1182401004	1182501004
3/4	19.05	2.375	60.30	1182401006	1182501006
1	25.40	2.625	66.70	1182401010	1182501010
1 1/2	38.10	2.875	73.00	1182401014	1182501014
2	50.80	3.375	85.70	1182401020	1182501020
2 1/2	63.50	3.625	92.10	1182401024	1182501024
3	76.20	3.875	98.40	1182401030	1182501030
4	101.60	4.750	120.70	1182401040	1182501040
6	152.40	7.125	181.00	1182401060	1182501060

DT-4.1.2-5 (DT 27)

Hygienic Clamp Joint:

Short Outlet Tee

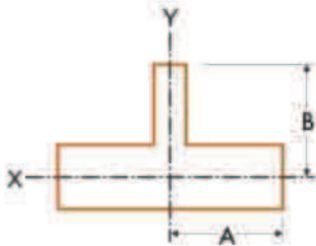


Nominal Size		A		B		Part Number
inch	mm.	inch	mm.	inch	mm.	
1/2	12.70	2.250	57.20	1.000	25.40	1185501004
3/4	19.05	2.375	60.30	1.125	28.60	1185501006
1	25.40	2.625	66.70	1.125	28.60	1185501010
1 1/2	38.10	2.875	73.00	1.375	34.90	1185501014
2	50.80	3.375	85.70	1.625	41.30	1185501020
2 1/2	63.50	3.625	92.10	1.875	47.60	1185501024
3	76.20	3.875	98.40	2.125	54.00	1185501030
4	101.60	4.750	120.70	2.750	69.90	1185501040
6	152.40	7.125	181.00	4.625	117.50	1185501060

DT-4.1.2-6 (DT10)

Automatic Tube Weld:

Reducing Tee



Nominal Size		A		B		Part Number
inch	mm.	inch	mm.	inch	mm.	
3/8 x 1/4	9.53 x 6.35	1.750	44.45	1.750	44.50	11815010D2
1/2 x 1/4	12.70 x 6.35	1.875	47.60	1.875	47.60	11815010D3
x 3/8	x 9.53	1.875	47.60	1.875	47.60	11815010D4
3/4 x 1/4	19.05 x 6.35	2.000	50.80	2.000	50.80	11815010D5
x 3/8	x 9.53	2.000	50.80	2.000	50.80	11815010D6
x 1/2	x 12.70	2.000	50.80	2.000	50.80	11815010D7
1 x 1/4	25.40 x 6.35	2.125	54.00	2.125	54.00	11815010E2
x 3/8	x 9.53	2.125	54.00	2.125	54.00	11815010E3
x 1/2	x 12.70	2.125	54.00	2.125	54.00	11815010E4
x 3/4	x 19.05	2.125	54.00	2.125	54.00	11815010E5
1 1/2 x 1/2	38.10 x 12.70	2.375	60.30	2.375	60.30	11815010E6
x 3/4	x 19.05	2.375	60.30	2.375	60.30	11815010E7
x 1	x 25.40	2.375	60.30	2.375	60.30	11815010E8
2 x 1/2	50.80 x 12.70	2.875	73.00	2.625	66.70	11815010F3
x 3/4	x 19.05	2.875	73.00	2.625	66.70	11815010F4
x 1	x 25.40	2.875	73.00	2.625	66.70	11815010F5
x 1 1/2	x 38.10	2.875	73.00	2.625	66.70	11815010F6
2 1/2 x 1/2	63.50 x 12.70	3.125	79.40	2.875	73.00	11815010G1
x 3/4	x 19.05	3.125	79.40	2.875	73.00	11815010G2
x 1	x 25.40	3.125	79.40	2.875	73.00	11815010G3
x 1 1/2	x 38.10	3.125	79.40	2.875	73.00	11815010G4
x 2	x 50.80	3.125	79.40	2.875	73.00	11815010G5
3 x 1/2	76.20 x 12.70	3.375	85.70	3.125	79.40	11815010H6
x 3/4	x 19.05	3.375	85.70	3.125	79.40	11815010H7
x 1	x 25.40	3.375	85.70	3.125	79.40	11815010H1
x 1 1/2	x 38.10	3.375	85.70	3.125	79.40	11815010H2
x 2	x 50.80	3.375	85.70	3.125	79.40	11815010H3
x 2 1/2	x 63.50	3.375	85.70	3.125	79.40	11815010H4
4 x 1/2	101.60 x 12.70	4.125	104.80	3.625	92.10	11815010H8
x 3/4	x 19.05	4.125	104.80	3.625	92.10	11815010H9
x 1	x 25.40	4.125	104.80	3.625	92.10	11815010J1
x 1 1/2	x 38.10	4.125	104.80	3.625	92.10	11815010J2
x 2	x 50.80	4.125	104.80	3.875	98.40	11815010J3
x 2 1/2	x 63.50	4.125	104.80	3.875	98.40	11815010J4
x 3	x 76.20	4.125	104.80	3.875	98.40	11815010J5
6 x 3	152.40 x 76.20	5.625	142.90	4.875	123.80	11815010K3
x 4	x 101.60	5.625	142.90	5.125	130.20	11815010K4

DT-4.1.2-7 (DT 14)

Automatic Tube Weld:

Short Outlet

Hygienic Clamp Joint

Reducing Tee

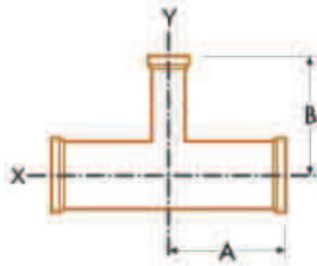


Nominal Size				A		B		Part Number		
inch		mm.		inch	mm.	inch	mm.			
3/8	x	1/4	9.53	x	6.35	1.750	44.50	1.000	25.40	11820010D2
1/2	x	1/4	12.70	x	6.35	1.875	47.60	1.000	25.40	11820010D3
	x	3/8		x	9.53	1.875	47.60	1.000	25.40	11820010D4
3/4	x	1/4	19.05	x	6.35	2.000	50.80	1.000	25.40	11820010D5
	x	3/8		x	9.53	2.000	50.80	1.000	25.40	11820010D6
	x	1/2		x	12.70	2.000	50.80	1.000	25.40	11820010D7
1	x	1/4	25.40	x	6.35	2.125	54.00	1.125	28.60	11820010E2
	x	3/8		x	9.53	2.125	54.00	1.125	28.60	11820010E3
	x	1/2		x	12.70	2.125	54.00	1.125	28.60	11820010E4
	x	3/4		x	19.05	2.125	54.00	1.125	28.60	11820010E5
1 1/2	x	1/2	38.10	x	12.70	2.375	60.30	1.375	34.90	11820010E6
	x	3/4		x	19.05	2.375	60.30	1.375	34.90	11820010E7
	x	1		x	25.40	2.375	60.30	1.375	34.90	11820010E8
2	x	1/2	50.80	x	12.70	2.875	73.00	1.625	41.30	11820010F3
	x	3/4		x	19.05	2.875	73.00	1.625	41.30	11820010F4
	x	1		x	25.40	2.875	73.00	1.625	41.30	11820010F5
	x	1 1/2		x	38.10	2.875	73.00	1.625	41.30	11820010F6
2 1/2	x	1/2	63.50	x	12.70	3.125	79.40	1.875	47.60	11820010G1
	x	3/4		x	19.05	3.125	79.40	1.875	47.60	11820010G2
	x	1		x	25.40	3.125	79.40	1.875	47.60	11820010G3
	x	1 1/2		x	38.10	3.125	79.40	1.875	47.60	11820010G4
	x	2		x	50.80	3.125	79.40	1.875	47.60	11820010G5
3	x	1/2	76.20	x	12.70	3.375	85.70	2.125	54.00	11820010H6
	x	3/4		x	19.05	3.375	85.70	2.125	54.00	11820010H7
	x	1		x	25.40	3.375	85.70	2.125	54.00	11820010H1
	x	1 1/2		x	38.10	3.375	85.70	2.125	54.00	11820010H2
	x	2		x	50.80	3.375	85.70	2.125	54.00	11820010H3
	x	2 1/2		x	63.50	3.375	85.70	2.125	54.00	11820010H4
4	x	1/2	101.60	x	12.70	4.125	104.80	2.625	66.70	11820010H8
	x	3/4		x	19.05	4.125	104.80	2.625	66.70	11820010H9
	x	1		x	25.40	4.125	104.80	2.625	66.70	11820010J1
	x	1 1/2		x	38.10	4.125	104.80	2.625	66.70	11820010J2
	x	2		x	50.80	4.125	104.80	2.625	66.70	11820010J3
	x	2 1/2		x	63.50	4.125	104.80	2.625	66.70	11820010J4
	x	3		x	76.20	4.125	104.80	2.625	66.70	11820010J5
6	x	1/2	152.40	x	12.70	5.625	142.90	3.625	92.10	11820010P1
	x	3/4		x	19.05	5.625	142.90	3.625	92.10	11820010P2
	x	1		x	25.40	5.625	142.90	3.625	92.10	11820010K1
	x	1 1/2		x	38.10	5.625	142.90	3.625	92.10	11820010P3
	x	2		x	50.80	5.625	142.90	3.625	92.10	11820010K2
	x	2 1/2		x	63.50	5.625	142.90	3.625	92.10	11820010P4
	x	3		x	76.20	5.625	142.90	3.625	92.10	11820010K3
	x	4		x	101.60	5.625	142.90	3.750	95.30	11820010K4

DT-4.1.2-8 (DT 19)

Hygienic Clamp Joint:

Reducing Tee

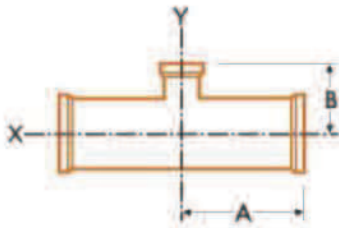


Nominal Size		A		B		Part Number		
inch	mm.	inch	mm.	inch	mm.			
3/8	x 1/4	9.53	x 6.35	2.250	57.20	2.250	57.20	11826010D2
1/2	x 1/4	12.70	x 6.35	2.375	60.30	2.375	60.30	11826010D3
	x 3/8		x 9.53	2.375	60.30	2.375	60.30	11826010D4
3/4	x 1/4	19.05	x 6.35	2.500	63.50	2.500	63.50	11826010D5
	x 3/8		x 9.53	2.500	63.50	2.500	63.50	11826010D6
	x 1/2		x 12.70	2.500	63.50	2.500	63.50	11826010D7
1	x 1/4	25.40	x 6.35	2.625	66.70	2.625	66.70	11826010E2
	x 3/8		x 9.53	2.625	66.70	2.625	66.70	11826010E3
	x 1/2		x 12.70	2.625	66.70	2.625	66.70	11826010E4
	x 3/4		x 19.05	2.625	66.70	2.625	66.70	11826010E5
1 1/2	x 1/2	38.10	x 12.70	2.875	73.00	2.875	73.00	11826010E6
	x 3/4		x 19.05	2.875	73.00	2.875	73.00	11826010E7
	x 1		x 25.40	2.875	73.00	2.875	73.00	11826010E8
2	x 1/2	50.80	x 12.70	3.375	85.70	3.125	79.40	11826010F3
	x 3/4		x 19.05	3.375	85.70	3.125	79.40	11826010F4
	x 1		x 25.40	3.375	85.70	3.125	79.40	11826010F5
	x 1 1/2		x 38.10	3.375	85.70	3.125	79.40	11826010F6
2 1/2	x 1/2	63.50	x 12.70	3.625	92.10	3.375	85.70	11826010G1
	x 3/4		x 19.05	3.625	92.10	3.375	85.70	11826010G2
	x 1		x 25.40	3.625	92.10	3.375	85.70	11826010G3
	x 1 1/2		x 38.10	3.625	92.10	3.375	85.70	11826010G4
	x 2		x 50.80	3.625	92.10	3.375	85.70	11826010G5
3	x 1/2	76.20	x 12.70	3.875	98.40	3.625	92.10	11826010H6
	x 3/4		x 19.05	3.875	98.40	3.625	92.10	11826010H7
	x 1		x 25.40	3.875	98.40	3.625	92.10	11826010H1
	x 1 1/2		x 38.10	3.875	98.40	3.625	92.10	11826010H2
	x 2		x 50.80	3.875	98.40	3.625	92.10	11826010H3
	x 2 1/2		x 63.50	3.875	98.40	3.625	92.10	11826010H4
4	x 1/2	101.60	x 12.70	4.750	120.70	4.125	104.80	11826010H8
	x 3/4		x 19.05	4.750	120.70	4.125	104.80	11826010H9
	x 1		x 25.40	4.750	120.70	4.125	104.80	11826010J1
	x 1 1/2		x 38.10	4.750	120.70	4.125	104.80	11826010J2
	x 2		x 50.80	4.750	120.70	4.375	111.10	11826010J3
	x 2 1/2		x 63.50	4.750	120.70	4.375	111.10	11826010J4
	x 3		x 76.20	4.750	120.70	4.375	111.10	11826010J5
6	x 3	152.40	x 76.20	7.125	181.00	5.375	136.50	11826010K3
	x 4	152.40	x 101.60	7.125	181.00	5.750	146.10	11826010K4

DT-4.1.2-9 (DT 20)

Hygienic Clamp Joint:

Short Outlet Reducing Tee



Nominal Size				A		B		Part Number		
inch		mm.		inch	mm.	inch	mm.			
3/8	x	1/4	9.53	x	6.35	2.250	57.20	1.000	25.40	11827010D2
1/2	x	1/4	12.70	x	6.35	2.375	60.30	1.000	25.40	11827010D3
	x	3/8		x	9.53	2.375	60.30	1.000	25.40	11827010D4
3/4	x	1/4	19.05	x	6.35	2.500	63.50	1.000	25.40	11827010D5
	x	3/8		x	9.53	2.500	63.50	1.000	25.40	11827010D6
	x	1/2		x	12.70	2.500	63.50	1.000	25.40	11827010D7
1	x	1/4	25.40	x	6.35	2.625	66.70	1.125	28.60	11827010E2
	x	3/8		x	9.53	2.625	66.70	1.125	28.60	11827010E3
	x	1/2		x	12.70	2.625	66.70	1.125	28.60	11827010E4
	x	3/4		x	19.05	2.625	66.70	1.125	28.60	11827010E5
1 1/2	x	1/2	38.10	x	12.70	2.875	73.00	1.375	34.90	11827010E6
	x	3/4		x	19.05	2.875	73.00	1.375	34.90	11827010E7
	x	1		x	25.40	2.875	73.00	1.375	34.90	11827010E8
2	x	1/2	50.80	x	12.70	3.375	85.70	1.625	41.30	11827010F3
	x	3/4		x	19.05	3.375	85.70	1.625	41.30	11827010F4
	x	1		x	25.40	3.375	85.70	1.625	41.30	11827010F5
	x	1 1/2		x	38.10	3.375	85.70	1.625	41.30	11827010F6
2 1/2	x	1/2	63.50	x	12.70	3.625	92.10	1.875	47.60	11827010G1
	x	3/4		x	19.05	3.625	92.10	1.875	47.60	11827010G2
	x	1		x	25.40	3.625	92.10	1.875	47.60	11827010G3
	x	1 1/2		x	38.10	3.625	92.10	1.875	47.60	11827010G4
	x	2		x	50.80	3.625	92.10	1.875	47.60	11827010G5
3	x	1/2	76.20	x	12.70	3.875	98.40	2.125	54.00	11827010H6
	x	3/4		x	19.05	3.875	98.40	2.125	54.00	11827010H7
	x	1		x	25.40	3.875	98.40	2.125	54.00	11827010H1
	x	1 1/2		x	38.10	3.875	98.40	2.125	54.00	11827010H2
	x	2		x	50.80	3.875	98.40	2.125	54.00	11827010H3
	x	2 1/2		x	63.50	3.875	98.40	2.125	54.00	11827010H4
4	x	1/2	101.60	x	12.70	4.750	120.70	2.625	66.70	11827010H8
	x	3/4		x	19.05	4.750	120.70	2.625	66.70	11827010H9
	x	1		x	25.40	4.750	120.70	2.625	66.70	11827010J1
	x	1 1/2		x	38.10	4.750	120.70	2.625	66.70	11827010J2
	x	2		x	50.80	4.750	120.70	2.625	66.70	11827010J3
	x	2 1/2		x	63.50	4.750	120.70	2.625	66.70	11827010J4
	x	3		x	76.20	4.750	120.70	2.625	66.70	11827010J5
6	x	1/2	152.40	x	12.70	7.125	181.00	3.625	92.10	11827010P1
	x	3/4		x	19.05	7.125	181.00	3.625	92.10	11827010P2
	x	1		x	25.40	7.125	181.00	3.625	92.10	11827010K1
	x	1 1/2		x	38.10	7.125	181.00	3.625	92.10	11827010P3
	x	2		x	50.80	7.125	181.00	3.625	92.10	11827010K2
	x	2 1/2		x	63.50	7.125	181.00	3.625	92.10	11827010P4
	x	3		x	76.20	7.125	181.00	3.625	92.10	11827010K3
	x	4		x	101.60	7.125	181.00	3.750	95.30	11827010K4

DT-4.1.3-1(a) [DT 11C(a) / DT 11E(a)]

Automatic Tube Weld:

**Concentric Reducer/
Eccentric Reducer**

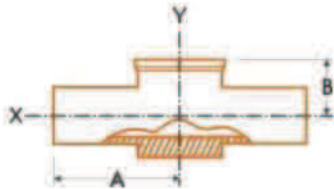


Nominal Size		A		Part Number CR		B		Part Number ER	
inch	mm.	inch	mm.	inch	mm.	inch	mm.	inch	mm.
3/8 x 1/4	9.53 x 6.35	3.250	82.60	11816010D2	4.000	101.60	11817010D2		
1/2 x 1/4	12.70 x 6.35	3.250	82.60	11816010D3	4.000	101.60	11817010D3		
x 3/8	x 9.53	3.250	82.60	11816010D4	4.000	101.60	11817010D4		
3/4 x 1/4	19.05 x 6.35	3.250	82.60	11816010D5	4.000	101.60	11817010D5		
x 3/8	x 9.53	3.250	82.60	11816010D6	4.000	101.60	11817010D6		
x 1/2	x 12.70	4.000	101.60	11816010D7	4.000	101.60	11817010D7		
1 x 1/4	25.40 x 6.35	4.500	114.30	11816010E2	4.500	114.30	11817010E2		
x 3/8	x 9.53	4.500	114.30	11816010E3	4.500	114.30	11817010E3		
x 1/2	x 12.70	4.500	114.30	11816010E4	4.500	114.30	11817010E4		
x 3/4	x 19.05	4.000	101.60	11816010E5	4.000	101.60	11817010E5		
1 1/2 x 1/2	38.10 x 12.70	5.500	139.70	11816010E6	5.500	139.70	11817010E6		
x 3/4	x 19.05	5.000	127.00	11816010E7	5.000	127.00	11817010E7		
x 1	x 25.40	5.000	127.00	11816010E8	5.000	127.00	11817010E8		
2 x 1/2	50.80 x 12.70	7.750	196.90	11816010F3	7.750	196.90	11817010F3		
x 3/4	x 19.05	7.250	184.20	11816010F4	7.250	184.20	11817010F4		
x 1	x 25.40	7.250	184.20	11816010F5	7.250	184.20	11817010F5		
x 1 1/2	x 38.10	5.250	133.40	11816010F6	5.250	133.40	11817010F6		
2 1/2 x 1/2	63.50 x 12.70	9.750	247.70	11816010G1	9.750	247.70	11817010G1		
x 3/4	x 19.05	9.250	235.00	11816010G2	9.250	235.00	11817010G2		
x 1	x 25.40	9.250	235.00	11816010G3	9.250	235.00	11817010G3		
x 1 1/2	x 38.10	7.250	184.20	11816010G4	7.250	184.20	11817010G4		
x 2	x 50.80	5.500	139.70	11816010G5	5.500	139.70	11817010G5		
3 x 1	76.20 x 25.40	11.250	285.80	11816010H1	11.250	285.80	11817010H1		
x 1 1/2	x 38.10	9.250	235.00	11816010H2	9.250	235.00	11817010H2		
x 2	x 50.80	7.500	190.50	11816010H3	7.500	190.50	11817010H3		
x 2 1/2	x 63.50	5.500	139.70	11816010H4	5.500	139.70	11817010H4		
4 x 1	101.60 x 25.40	15.500	393.70	11816010J1	15.500	393.70	11817010J1		
x 1 1/2	x 38.10	13.500	342.90	11816010J2	13.500	342.90	11817010J2		
x 2	x 50.80	11.750	298.50	11816010J3	11.750	298.50	11817010J3		
x 2 1/2	x 63.50	9.750	247.70	11816010J4	9.750	247.70	11817010J4		
x 3	x 76.20	7.750	196.90	11816010J5	7.750	196.90	11817010J5		
6 x 3	152.40 x 76.20	10.000	254.00	11816010K3	9.750	247.70	11817010K3		
x 4	x 101.60	10.000	254.00	11816010K4	10.000	254.00	11817010K4		

DT-4.1.2-10 [DT 28]

Automatic Tube Weld:

Instrument Tee



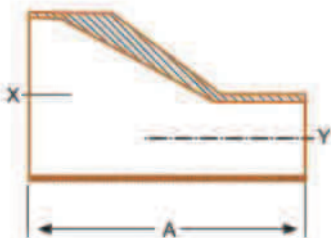
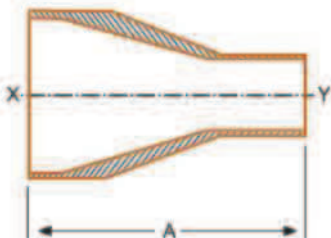
Nominal Size		A		B		Part Number
inch	mm.	inch	mm.	inch	mm.	
1/2 x 1 1/2	12.70 x 38.10	2.500	63.50	0.875	22.20	118560106E
3/4 x 1 1/2	19.05 x 38.10	2.500	63.50	1.000	25.40	118560107E
1 x 1 1/2	25.40 x 38.10	2.500	63.50	1.125	28.60	118560108E
1/2 x 2	12.70 x 50.80	2.750	69.90	1.000	25.40	118560103F
3/4 x 2	19.05 x 50.80	2.750	69.90	1.125	28.60	118560104F
1 x 2	25.40 x 50.80	2.750	69.90	1.250	31.80	118560105F
1 1/2 x 2	38.10 x 50.80	2.750	69.90	1.500	38.10	118560106F

DT-4.1.3-1(b) [DT 11c (b) / DT 11E(b)]

Automatic Tube Weld:

Concentric Reducer /

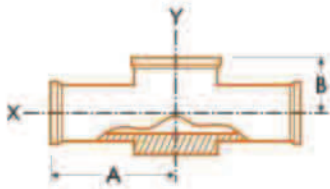
Eccentric Reducer



Nominal Size		A		Part Number CR	Part Number ER
inch	mm.	inch	mm.		
3/8 x 1/4	9.53 x 6.35	1.625	41.30	11816020D2	11817020D2
1/2 x 1/4	12.70 x 6.35	1.875	47.60	11816020D3	11817020D3
x 3/8	x 9.53	1.875	47.60	11816020D4	11817020D4
3/4 x 3/8	19.05 x 9.53	2.000	50.80	11816020D6	11817020D6
x 1/2	x 12.70	2.125	54.00	11816020D7	11817020D7
1 x 1/2	25.40 x 12.70	2.500	63.50	11816020E4	11817020E4
x 3/4	x 19.05	2.125	54.00	11816020E5	11817020E5
1 1/2 x 3/4	38.10 x 19.05	3.000	76.20	11816020E7	11817020E7
x 1	x 25.40	2.500	63.50	11816020E8	11817020E8
2 x 1	50.80 x 25.40	3.375	85.70	11816020F5	11817020F5
x 1 1/2	x 38.10	2.500	63.50	11816020F6	11817020F6
2 1/2 x 1 1/2	63.50 x 38.10	3.375	85.70	11816020G4	11817020G4
x 2	x 50.80	2.500	63.50	11816020G5	11817020G5
3 x 1 1/2	76.20 x 38.10	4.250	108.00	11816020H2	11817020H2
x 2	x 50.80	3.375	85.70	11816020H3	11817020H3
x 2 1/2	x 63.50	2.625	66.70	11816020H4	11817020H4
4 x 2	101.60 x 50.80	5.125	130.20	11816020J3	11817020J3
x 2 1/2	x 63.50	4.250	108.00	11816020J4	11817020J4
x 3	x 76.20	3.875	98.40	11816020J5	11817020J5
6 x 3	152.40 x 76.20	7.250	184.20	11816020K3	11817020K3
x 4	x 101.60	5.625	142.90	11816020K4	11817020K4

DT-4.1.2-11 (DT 29)

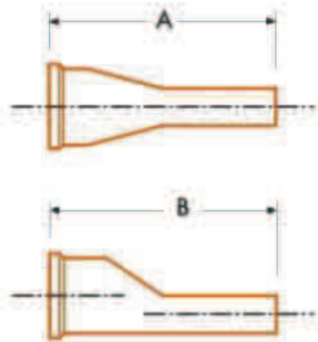
Hygienic Clamp Joint:
Instrument Tee



Nominal Size		A		B		Part Number
inch	mm.	inch	mm.	inch	mm.	
1/2 x 1 1/2	12.70 x 38.10	3.000	76.20	0.875	22.20	118570106E
3/4 x 1 1/2	19.05 x 38.10	3.000	76.20	1.000	25.40	118570107E
1 x 1 1/2	25.40 x 38.10	3.000	76.20	1.125	28.60	118570108E
1/2 x 2	12.70 x 50.80	3.250	82.60	1.000	25.40	118570103F
3/4 x 2	19.05 x 50.80	3.250	82.60	1.125	28.60	118570104F
1 x 2	25.40 x 50.80	3.250	82.60	1.250	31.80	118570105F
1 1/2 x 2	38.10 x 50.80	3.250	82.60	1.500	38.10	118570106F

DT-4.1.3-2(a) [DT 26C(a) / DT 26E(a)]

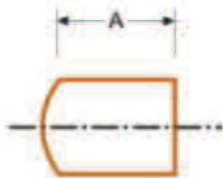
Hygienic Clamp Joint:
Tube Weld
Concentric Reducer/
Eccentric Reducer



Nominal Size		A		Part Number	B		Part Number
inch	mm.	inch	mm.	CR	inch	mm.	ER
3/4 x 1/2	19.05 x 12.70	3.000	76.20	11853010D7	3.000	76.20	11854010D7
1 x 1/2	25.40 x 12.70	3.500	88.90	11853010E4	3.500	88.90	11854010E4
x 3/4	x 19.05	3.000	76.20	11853010E5	3.000	76.20	11854010E5
1 1/2 x 1/2	38.10 x 12.70	4.500	114.30	11853010E6	4.500	114.30	11854010E6
x 3/4	x 19.05	4.000	101.60	11853010E7	4.000	101.60	11854010E7
x 1	x 25.40	4.000	101.60	11853010E8	4.000	101.60	11854010E8
2 x 1/2	50.80 x 12.70	6.500	165.10	11853010F3	6.500	165.10	11854010F3
x 3/4	x 19.05	6.000	152.40	11853010F4	6.000	152.40	11854010F4
x 1	x 25.40	6.000	152.40	11853010F5	6.000	152.40	11854010F5
x 1 1/2	x 38.10	4.000	101.60	11853010F6	4.000	101.60	11854010F6
2 1/2 x 1/2	63.50 x 12.70	8.500	215.90	11853010G1	8.500	215.90	11854010G1
x 3/4	x 19.05	8.000	203.20	11853010G2	8.000	203.20	11854010G2
x 1	x 25.40	8.000	203.20	11853010G3	8.000	203.20	11854010G3
x 1 1/2	x 38.10	6.000	152.40	11853010G4	6.000	152.40	11854010G4
x 2	x 50.80	4.250	108.00	11853010G5	4.250	108.00	11854010G5
3 x 1	76.20 x 25.40	10.000	254.00	11853010H1	10.000	254.00	11854010H1
x 1 1/2	x 38.10	8.000	203.20	11853010H2	8.000	203.20	11854010H2
x 2	x 50.80	6.250	158.80	11853010H3	6.250	158.80	11854010H3
x 2 1/2	x 63.50	4.250	108.00	11853010H4	4.250	108.00	11854010H4
4 x 1	101.60 x 25.40	14.125	358.80	11853010J1	14.125	358.80	11854010J1
x 1 1/2	x 38.10	12.125	308.00	11853010J2	12.125	308.00	11854010J2
x 2	x 50.80	10.375	263.50	11853010J3	10.375	263.50	11854010J3
x 2 1/2	x 63.50	8.375	212.70	11853010J4	8.375	212.70	11854010J4
x 3	x 76.20	6.375	161.90	11853010J5	6.375	161.90	11854010J5
6 x 3	152.40 x 76.20	9.000	228.60	11853010K3	8.750	222.30	11854010K3
x 4	x 101.60	9.000	228.60	11853010K4	9.000	228.60	11854010K4

DT-4.1.5-1 (DT 30)

Automatic Tube Weld:
Cap

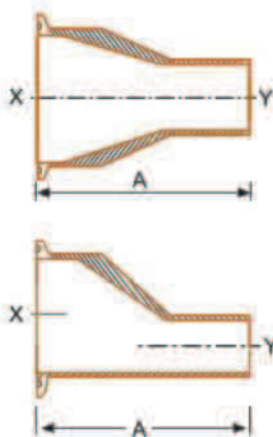


Nominal Size		A		Part Number
inch	mm.	inch	mm.	
1/2	12.70	1.500	38.10	1185801004
3/4	19.05	1.500	38.10	1185801006
1	25.40	1.500	38.10	1185801010
1 1/2	38.10	1.500	38.10	1185801014
2	50.80	1.500	38.10	1185801020
2 1/2	63.50	1.500	38.10	1185801024
3	76.20	1.750	44.50	1185801030
4	101.60	2.000	50.80	1185801040
6	152.40	2.500	63.50	1185801060

DT-4.1.3-2(b) [DT 26c (b) / DT 26E(b)]

Hygienic Clamp Joint:
Tube Weld

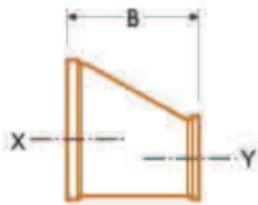
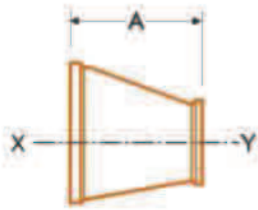
**Concentric Reducer /
Eccentric Reducer**



Nominal Size		A		Part Number	Part Number
inch	mm.	inch	mm.	CR	ER
3/8 x 1/4	9.53 x 6.35	2.125	54.00	11853050D2	11854050D2
1/2 x 1/4	12.70 x 6.35	2.375	60.30	11853050D3	11854050D3
x 3/8	x 9.53	2.375	60.30	11853050D4	11854050D4
3/4 x 3/8	19.05 x 9.53	2.500	63.50	11853050D6	11854050D6
x 1/2	x 12.70	2.625	66.70	11853050D7	11854050D7
1 x 1/2	25.40 x 12.70	3.000	76.20	11853050E4	11854050E4
x 3/4	x 19.05	2.625	66.70	11853050E5	11854050E5
1 1/2 x 3/4	38.10 x 19.05	3.500	88.90	11853050E7	11854050E7
x 1	x 25.40	3.000	76.20	11853050E8	11854050E8
2 x 1	50.80 x 25.40	3.875	98.40	11853050F5	11854050F5
x 1 1/2	x 38.10	3.000	76.20	11853050F6	11854050F6
2 1/2 x 1 1/2	63.50 x 38.10	3.875	98.40	11853050G4	11854050G4
x 2	x 50.80	3.000	76.20	11853050G5	11854050G5
3 x 1 1/2	76.20 x 38.10	4.750	120.70	11853050H2	11854050H2
x 2	x 50.80	3.875	98.40	11853050H3	11854050H3
x 2 1/2	x 63.50	3.125	79.40	11853050H4	11854050H4
4 x 2	101.60 x 50.80	5.750	146.10	11853050J3	11854050J3
x 2 1/2	x 63.50	4.875	123.80	11853050J4	11854050J4
x 3	x 76.20	4.500	114.30	11853050J5	11854050J5
6 x 3	152.40 x 76.20	8.000	203.20	11853050K3	11854050K3
x 4	x 101.60	6.375	161.90	11853050K4	11854050K4

DT-4.1.3-3(a) [DT 21C (a) / DT 21E(a)]

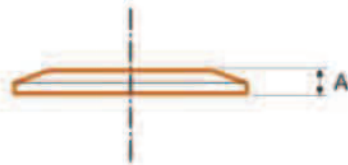
Hygienic Clamp Joint:
Concentric Reducer/
Eccentric Reducer



Nominal Size		A		Part Number	B		Part Number
inch	mm.	inch	mm.	CR	inch	mm.	ER
3/4 x 1/2	19.05 x 12.70	2.000	50.80	11828010D7	2.000	50.80	11829010D7
1 x 1/2	25.40 x 12.70	2.500	63.50	11828010E4	2.500	63.50	11829010E4
x 3/4	x 19.05	2.000	50.80	11828010E5	2.000	50.80	11829010E5
1 1/2 x 1/2	38.10 x 12.70	3.500	88.90	11828010E6	3.500	88.90	11829010E6
x 3/4	x 19.05	3.000	76.20	11828010E7	3.000	76.20	11829010E7
x 1	x 25.40	3.000	76.20	11828010E8	3.000	76.20	11829010E8
2 x 1/2	50.80 x 12.70	5.500	139.70	11828010F3	5.500	139.70	11829010F3
x 3/4	x 19.05	5.000	127.00	11828010F4	5.000	127.00	11829010F4
x 1	x 25.40	5.000	127.00	11828010F5	5.000	127.00	11829010F5
x 1 1/2	x 38.10	3.000	76.20	11828010F6	3.000	76.20	11829010F6
2 1/2 x 1/2	63.50 x 12.70	7.500	190.50	11828010G1	7.500	190.50	11829010G1
x 3/4	x 19.05	7.000	177.80	11828010G2	7.000	177.80	11829010G2
x 1	x 25.40	7.000	177.80	11828010G3	7.000	177.80	11829010G3
x 1 1/2	x 38.10	5.000	127.00	11828010G4	5.000	127.00	11829010G4
x 2	x 50.80	3.000	76.20	11828010G5	3.000	76.20	11829010G5
3 x 1	76.20 x 25.40	9.000	228.60	11828010H1	9.000	228.60	11829010H1
x 1 1/2	x 38.10	7.000	177.80	11828010H2	7.000	177.80	11829010H2
x 2	x 50.80	5.000	127.00	11828010H3	5.000	127.00	11829010H3
x 2 1/2	x 63.50	3.000	76.20	11828010H4	3.000	76.20	11829010H4
4 x 1	101.60 x 25.40	13.125	333.40	11828010J1	13.125	333.40	11829010J1
x 1 1/2	x 38.10	11.125	282.60	11828010J2	11.125	282.60	11829010J2
x 2	x 50.80	9.125	231.80	11828010J3	9.125	231.80	11829010J3
x 2 1/2	x 63.50	7.125	181.00	11828010J4	7.125	181.00	11829010J4
x 3	x 76.20	5.125	130.20	11828010J5	5.125	130.20	11829010J5
6 x 3	152.40 x 76.20	7.500	193.70	11828010K3	7.625	193.70	11829010K3
x 4	x 101.60	7.625	193.70	11828010K4	7.625	193.70	11829010K4

DT-4.1.5-2 (DT 31)

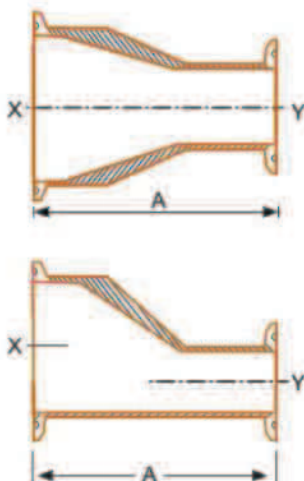
Hygienic Clamp Joint:
Solid End Cap



Nominal Size		A		Part Number
inch	mm.	inch	mm.	
1/4	6.35	0.187	4.70	1186004006
3/8	9.35	0.187	4.70	1186004006
1/2	12.70	0.187	4.70	1186004006
3/4	19.05	0.187	4.70	1186004006
1	25.40	0.250	6.40	1186001014
1 1/2	38.10	0.250	6.40	1186001014
2	50.80	0.250	6.40	1186001020
2 1/2	63.50	0.250	6.40	1186001024
3	76.20	0.250	6.40	1186001030
4	101.60	0.312	7.90	1186001040
6	152.40	0.437	11.10	1186003060

DT-4.1.3-3(b) [DT 21c (b) / DT 21E(b)]

Hygienic Clamp Joint
Concentric Reducer /
Eccentric Reducer

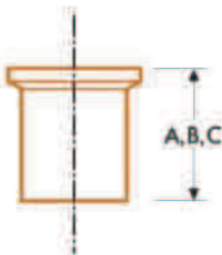


Nominal Size				A		Part Number CR	Part Number ER
inch	mm.	inch	mm.	inch	mm.		
3/8 x 1/4	9.53 x 6.35	2.625	66.70	11828050D2	11829050D2		
1/2 x 1/4	12.70 x 6.35	2.875	73.00	11828050D3	11829050D3		
x 3/8	x 9.53	2.875	73.00	11828050D4	11829050D4		
3/4 x 3/8	19.05 x 9.53	3.000	76.20	11828050D6	11829050D6		
x 1/2	x 12.70	3.125	79.40	11828050D7	11829050D7		
1 x 1/2	25.40 x 12.70	3.500	88.90	11828050E4	11829050E4		
x 3/4	x 19.05	3.125	79.40	11828050E5	11829050E5		
1 1/2 x 3/4	38.10 x 19.05	4.000	101.60	11828050E7	11829050E7		
x 1	x 25.40	3.500	88.90	11828050E8	11829050E8		
2 x 1	50.80 x 25.40	4.375	111.10	11828050F5	11829050F5		
x 1 1/2	x 38.10	3.500	88.90	11828050F6	11829050F6		
2 1/2 x 1 1/2	63.50 x 38.10	4.375	111.10	11828050G4	11829050G4		
x 2	x 50.80	3.500	88.90	11828050G5	11829050G5		
3 x 1 1/2	76.20 x 38.10	5.250	133.40	11828050H2	11829050H2		
x 2	x 50.80	4.375	111.10	11828050H3	11829050H3		
x 2 1/2	x 63.50	3.625	92.10	11828050H4	11829050H4		
4 x 2	101.60 x 50.80	6.250	158.80	11828050J3	11829050J3		
x 2 1/2	x 63.50	5.375	136.50	11828050J4	11829050J4		
x 3	x 76.20	5.000	127.00	11828050J5	11829050J5		
6 x 3	152.40 x 76.20	8.500	215.90	11828050K3	11829050K3		
x 4	x 101.60	7.000	177.80	11828050K4	11829050K4		

DT-4.1.4-1 (DT 22A / DT 22B / DT 22C)

Automatic Tube Weld:

Ferrule



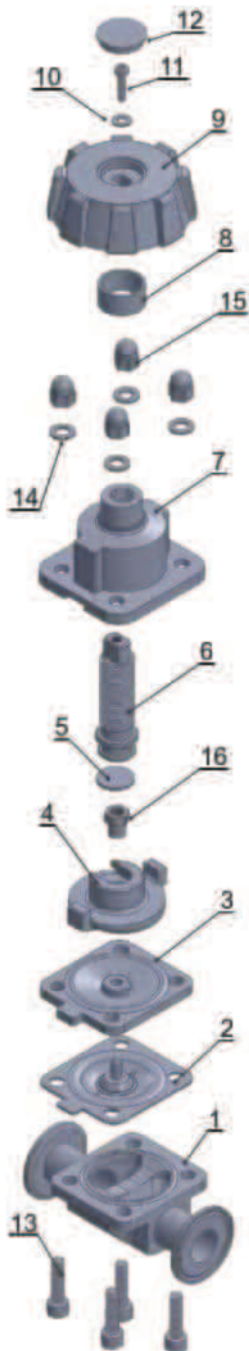
Nominal Size	A		Part Number A	B		Part Number B
	inch	mm.		inch	mm.	
1/4	1.750	44.50	1184101002	1.130	28.7	1184201002
3/8	1.750	44.50	1184101003	1.130	28.7	1184201003
1/2	1.750	44.50	1184101004	1.130	28.7	1184201004
3/4	1.750	44.50	1184101006	1.130	28.7	1184201006
1	1.750	44.50	1184101010	1.130	28.7	1184201010
1 1/2	1.750	44.50	1184101014	1.130	28.7	1184201014
2	2.250	57.20	1184102020	1.130	28.7	1184201020
2 1/2	2.250	57.20	1184102024	1.130	28.7	1184201024
3	2.250	57.20	1184102030	1.130	28.7	1184201030
4	2.250	57.20	1184102040	1.130	28.7	1184201040
6	3.000	76.20	1184103060	1.500	38.1	1184202060

Nominal Size	C		Part Number C
	inch	mm.	
1/4	0.500	12.7	1184301002
3/8	0.500	12.7	1184301003
1/2	0.500	12.7	1184301004
3/4	0.500	12.7	1184301006
1	0.500	12.7	1184301010
1 1/2	0.500	12.7	1184301014
2	0.500	12.7	1184301020
2 1/2	0.500	12.7	1184301024
3	0.500	12.7	1184301030
4	0.625	15.9	1184302040
6	0.750	19.1	1184303060

DIAPHRAGM VALVE



(3A)DIAPHRAGM VALVE 手動隔膜閥



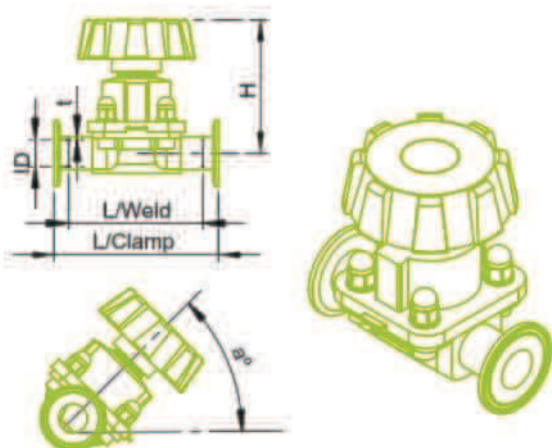
NO	PART NAME	QTY	MATERIAL
1	Diaphragm Valve Body	1	SS316L
2	Seal	1	PTFE
3	Seal	1	EPDM
4	Seat	1	SS304
5	Ring	1	POM
6	Shaft	1	SS304
7	Bonnet	1	SS304
8	Positioning Ring	1	NYLON
9	Handle Wheel	1	NYLON
10	Ring	1	SS304
11	Screw	1	SS304
12	Cover	1	NYLON
13	Screw	4	SS304
14	Spring Ring	4	SS304
15	Nut	4	SS304
16	Nut	1	SS304

Technical data:

- Max product pressure : 10bar
- The valve body material : SS316L
- Diaphragm materials : PTFE+EPDM
- Working temperature : -10°C to 95°C
- ASME BPE : Weld/Clamp
- Maximum pressure, valve body : 10 bar
- Maximum pressure, valve seat : 6 bar

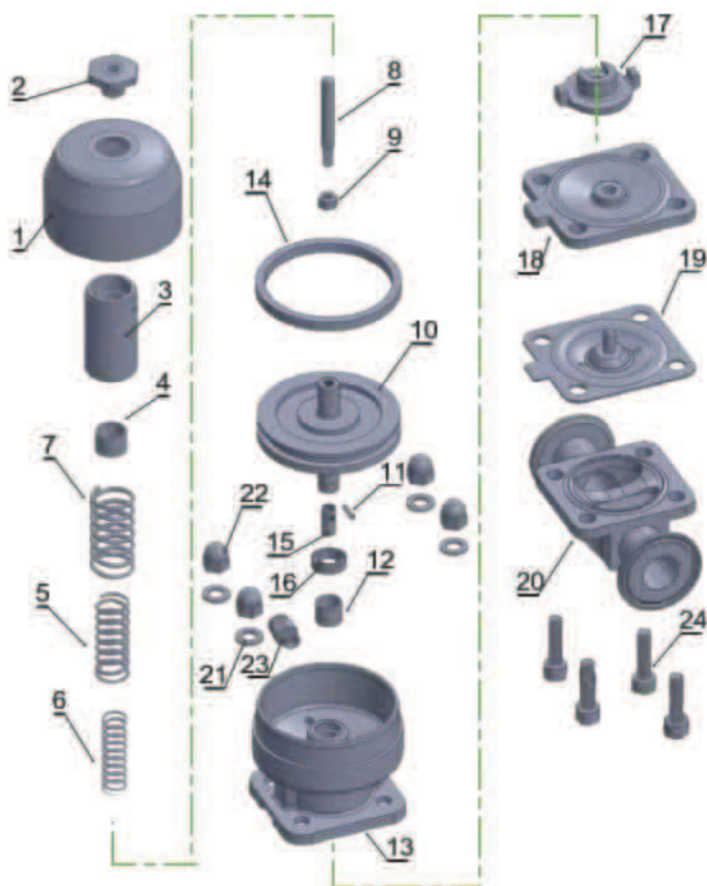
Valve body surface finishes, internal finish

- Ra<0.6µm mechanically polished internal,blasted external
- Ra<0.6µm electropolished internal/external
- Ra<0.4µm mechanically polished internal,blasted external
- Ra<0.4µm electropolished internal/external
- Ra<0.25µm mechanically polished internal/external
- Ra<0.25µm electropolished internal/external



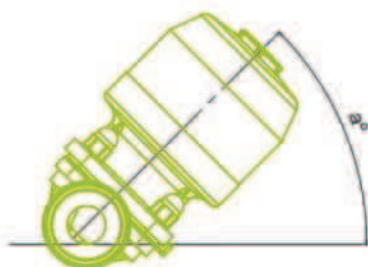
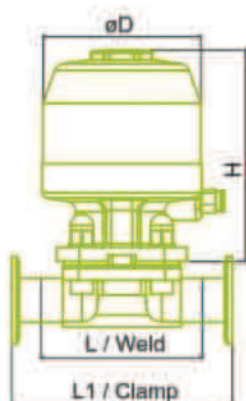
Size	ID	t	H/NC	L/Weld	L/Clamp	α°	Part Number	
							Weld	Clamp
1/2"	9.5		75	108	108	41°	1607101-008047	1607102-008047
3/4"	15.8		75	108	108	33°	1607101-008067	1607102-008067
1.0"	22.1	1.65	116	120	127	25°	1607101-008107	1607102-008107
1.5"	34.8		136	153	159	24°	1607101-008147	1607102-008147
2.0"	47.5		136	173	190	30°	1607101-008207	1607102-008207

(3A) PNEUMATIC DIAPHRAGM VALVE 氣動隔膜閥



NO	PART NAME	QTY	MATERIAL
1	Cover	1	SS304
2	Nut	1	SS304
3	Stem	1	SS304
4	Bush	1	PEEK
5	Spring	1	SS304
6	Spring	1	SS304
7	Spring	1	SS304
8	Piston Stem	1	SS304
9	Nut	1	SS304
10	Piston	1	SS304
11	Pin	1	SS304
12	Bush	1	PEEK
13	Bonnet	1	SS304
14	U Ring	1	NBR
15	Piston	1	SS304
16	U Ring	1	NBR
17	Seat	1	SS304
18	Seal	1	EPDM
19	Seal	1	PTFE
20	Diaphragm Valve Body	1	SS316L
21	Spring Ring	4	SS304
22	Nut	4	SS304
23	Air connection 1/8 Gas	1	Cu
24	Screw	4	SS304

NO	Material	Working pressure(max)
1	EPDM	10bar
2	PTFE/EPDM	6bar

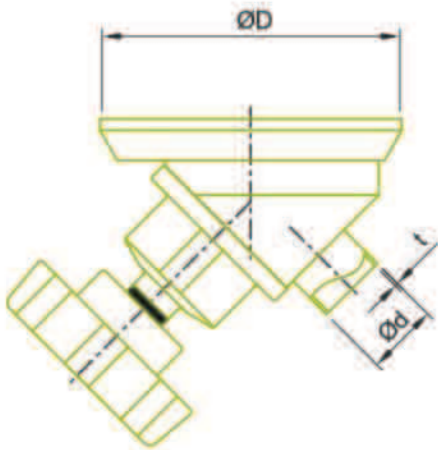


Standard:

- The valve body material : SS316L
- Diaphragm materials : PTFE+EPDM
- Working temperature : -10°C to 95°C
- Surface finish : Internal surface finishes Ra<0.4 mm
- ASME BPE : Weld/Clamp
- Maximum pressure valve body : 10 bar
- Maximum pressure valve seat : 6 bar
- Operating air pressure : 4 bar

SIZE	L	L1	σD	H	σ°	Part Number	
						Weld	Clamp
1/2"	108	108	60	77	41°	1607111-008047	1607112-008047
3/4"	108	108	60	100	33°	1607111-008067	1607112-008067
1.0"	120	127	90	130	25°	1607111-008107	1607112-008107
1.5"	153	159	114	168	24°	1607111-008147	1607112-008147
2.0"	173	190	144	200	30°	1607111-008207	1607112-008207

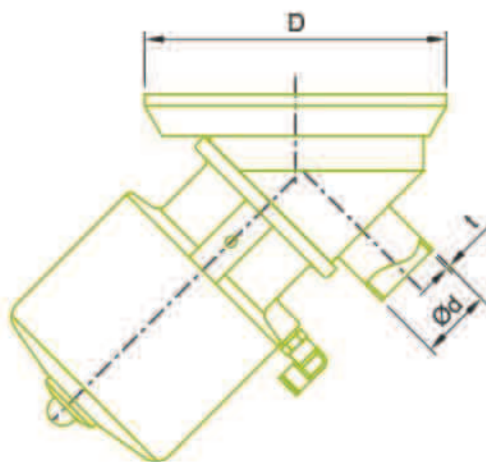
TANK BOTTOM DIAPHRAGM VALVE



手動桶底隔膜閥

Manual Tank Bottom Diaphragm Valve

Size	ØD	Ød	t	Part Number	
				Clamp	Weld
3/4"	85	19.05	1.65	1618102-001067	1618101-001067
1"	120	25.4	1.65	1618102-001107	1618101-001107
1.5"	160	38.1	1.65	1618102-001147	1618101-001147
2"	200	50.8	1.65	1618102-001207	1618101-001207



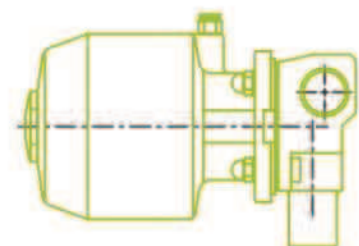
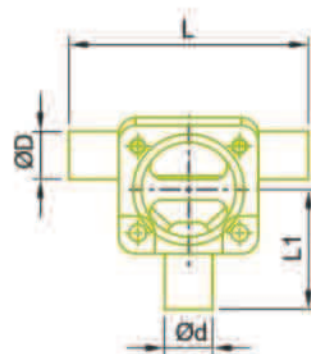
氣動桶底隔膜閥

Pneumatic Tank Bottom Diaphragm Valve

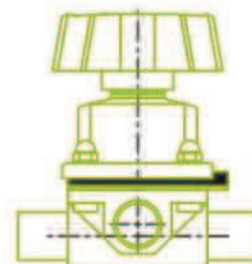
Size	ØD	Ød	t	Part Number	
				Clamp	Weld
3/4"	85	19.05	1.65	1618112-001067	1618111-001067
1"	120	25.4	1.65	1618112-001107	1618111-001107
1.5"	160	38.1	1.65	1618112-001147	1618111-001147
2"	200	50.8	1.65	1618112-001207	1618111-001207

T Type Diaphragm Valve

Size	ØD	Ød	L	L1
Inch	mm	mm	mm	mm
1/2"×1/2"	12.7	12.7	108	54
3/4"×1/2"	19.05	12.7	108	54
3/4"×3/4"	19.05	19.05	108	54
1"×1/2"	25.4	12.7	108	54
1"×3/4"	25.4	19.05	127	63.5
1"×1"	25.4	25.4	127	63.5
1.5"×1/2"	38.1	12.7	159	79.5
1.5"×3/4"	38.1	19.05	159	79.5
1.5"×1"	38.1	25.4	159	79.5
1.5"×1.5"	38.1	38.1	159	79.5

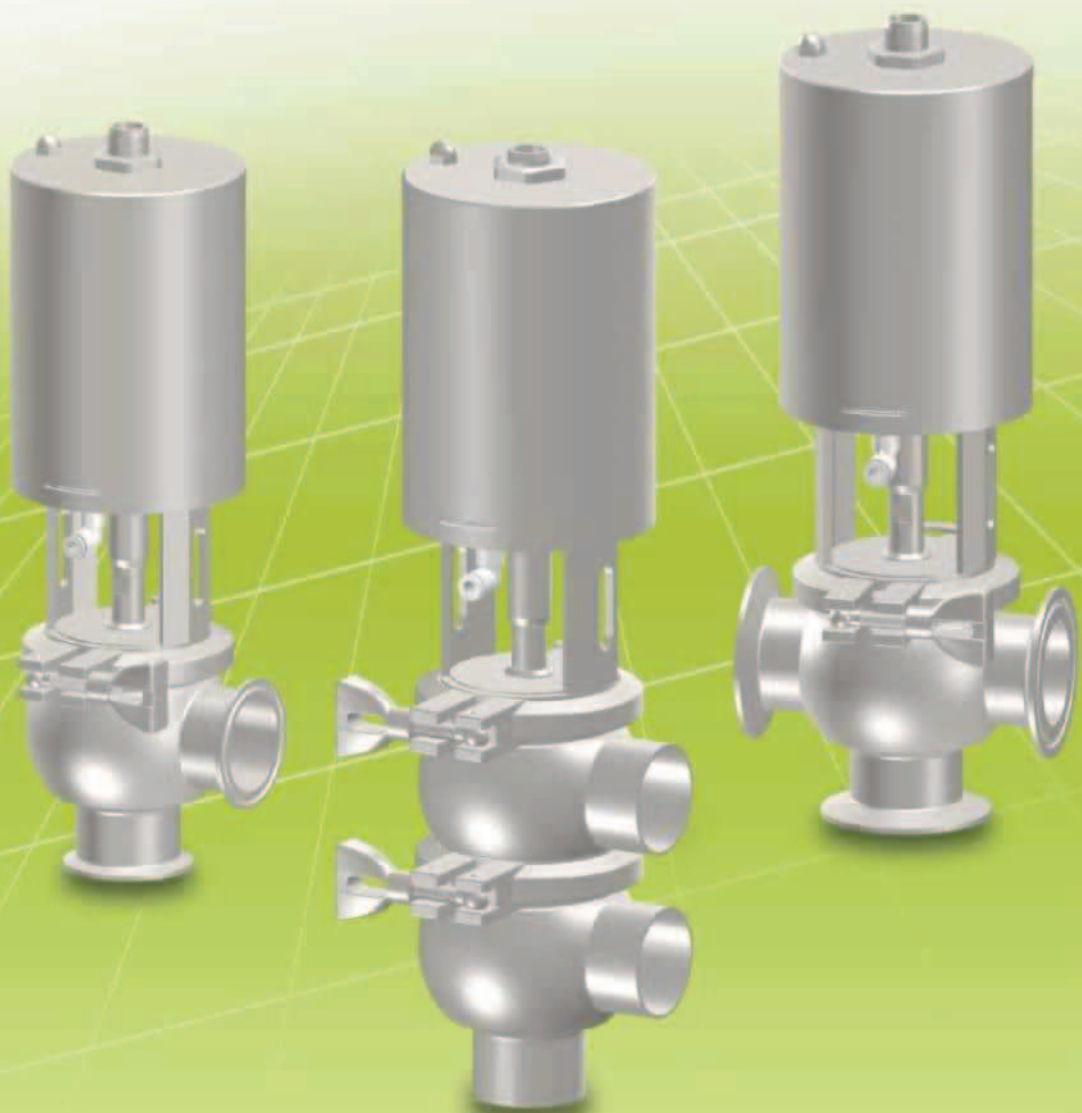


PNEUMATIC

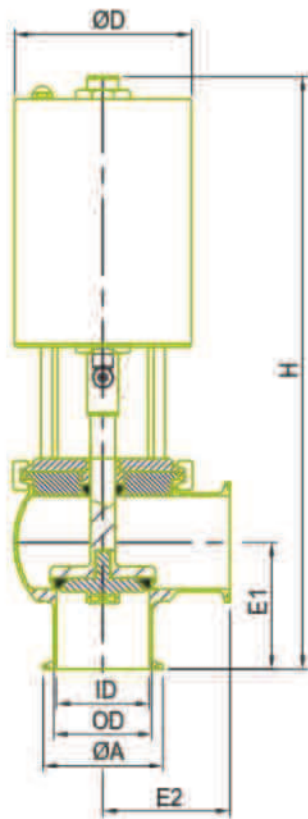


MANUAL

PNEUMATIC SEAT VALVE



PNEUMATIC SEAT VALVE 氣動座閥



Valve body combination



Caution, opening/closing time:

- Opening/closing time will be affected by the following:
 - The air supply (air pressure).
 - The length and dimensions of the air hose.
 - Number of valves connected to same air hose.
 - Use of single solenoid valve for serial connected air actuator functions.
 - Product pressure.

Air connections

- Compressed air: R1/8" (BSP), internal thread.

Technical data

- Max. product pressure (depending on valve specifications): 1000kpa (10 bar)
- Min. product pressure: full vacuum.
- Temperature range: -10°C to +95°C (EPDM)
- Air pressure: 5 to 7 bar.

Materials:

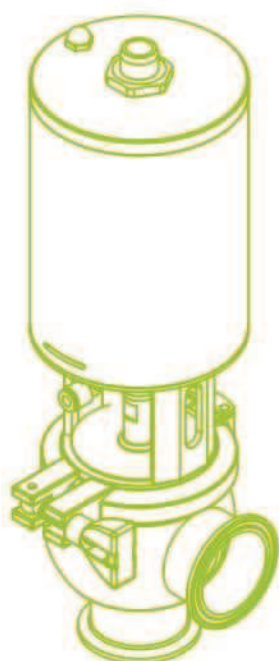
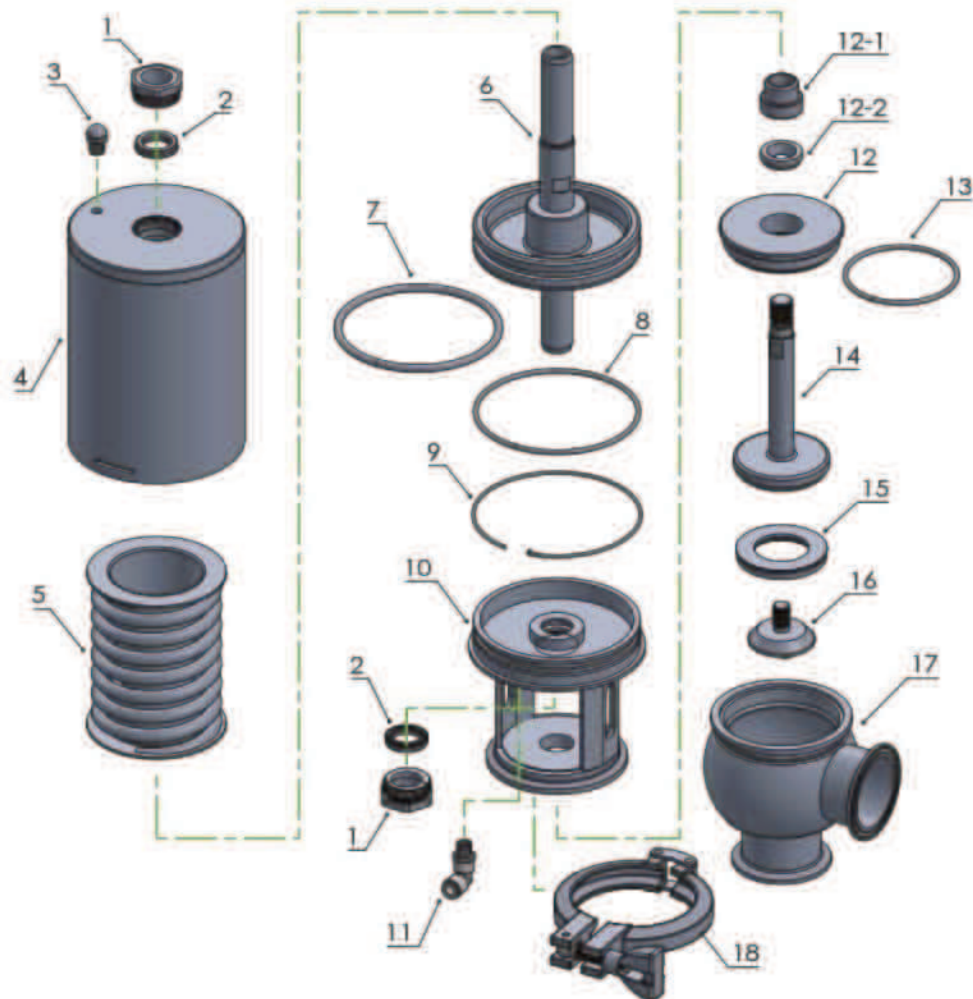
- Product wetted steel parts: steel AISI 316L.
- Finish: Semi bright.
- Other steel parts: Stainless steel AISI 304.
- Plug stem: AISI 316L with hard chromium plated stem surface.
- Product wetted seals: EPDM rubber.

Ordering

- Please state the following when ordering:
 - Size.
 - Connections if not welding ends.
 - Valve body combination.
 - Actuator function, NC, NO, or A/A.
 - Options.

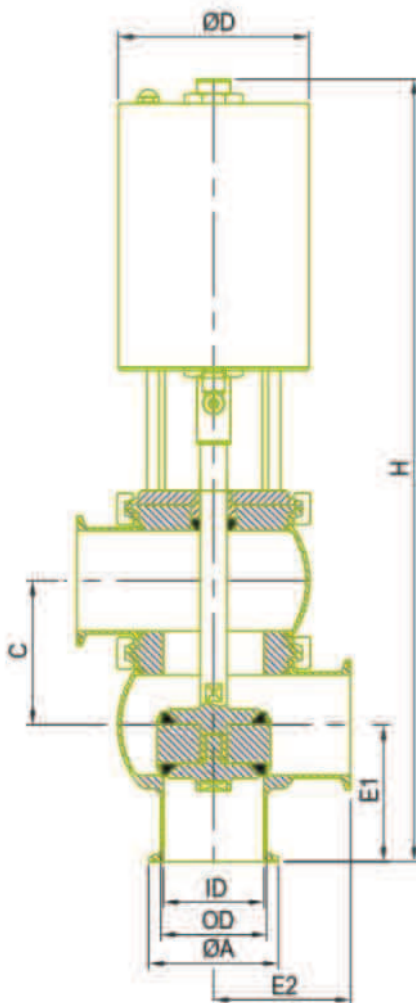
Size Inch	ID mm	OD mm	øA mm	H mm	ØD mm	E1(Weld/Clamp) mm	E2(Weld/Clamp) mm
1.0"	22.1	25.4	50.5	256	73	49	57
3A 1.5"	34.7	38.1	50.5	336	87	59	69.5
3A 2.0"	47.5	50.8	64	346	114	70	70
3A 2.5"	60.2	63.5	77.5	383	114	82	82
3A 3.0"	72.9	76.1	91	438	133	79	88.5
4.0"	97.6	101.6	119	487	133	118	118

PNEUMATIC SEAT VALVE 氣動座閥零件表



NO	PART NAME	QTY	MATERIAL
1	US20-Nut	2	POM
2	US20	2	NBR
3	Air outlet filter	1	Cu
4	Cylinder	1	SS304
5	Spring assembly	1	SS304+SAE9254
6	Piston	1	Aluminum+SS304
7	O-ring	1	NBR
8	O-ring	1	NBR
9	Lock wire clip	1	SS304
10	Bracket	1	SS304
11	Air connection	1	Cu
12	Lip	1	SS316L
12-1	Bush	1	POM
12-2	Lip Seal	1	EPDM
13	O-ring	1	EPDM
14	Stem	1	SS316L
15	Seal ring	1	EPDM
16	Screws/Washer	1	SS316L
17	Valve body-lower	1	SS316L
18	Clamp	1	SS304

PNEUMATIC SEAT VALVE 氣動座閥



Caution, opening/closing time:

- Opening/closing time will be affected by the following:
 - The air supply (air pressure).
 - The length and dimensions of the air hose.
 - Number of valves connected to same air hose.
 - Use of single solenoid valve for serial connected air actuator functions.
 - Product pressure.

Air connections

- Compressed air: R1/8" (BSP), internal thread.

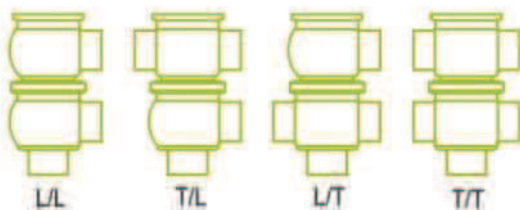
Technical data

- Max. product pressure (depending on valve specifications): 1000kpa (10 bar)
- Min. product pressure: full vacuum.
- Temperature range: -10°C to +95°C (EPDM)
- Air pressure: 5 to 7 bar.

Materials:

- Product wetted steel parts: Steel AISI 316L.
- Finish: Semi bright.
- Other steel parts: Stainless steel AISI 304.
- Plug stem: AISI 316L with hard chromium plated stem surface.
- Product wetted seals: EPDM rubber.

Valve body combination

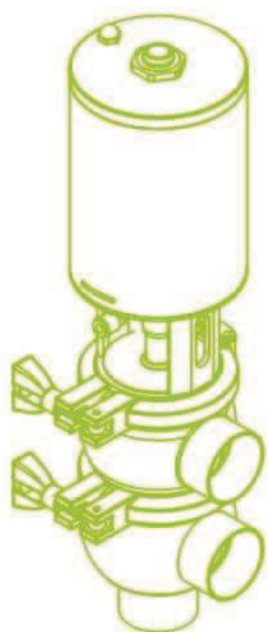
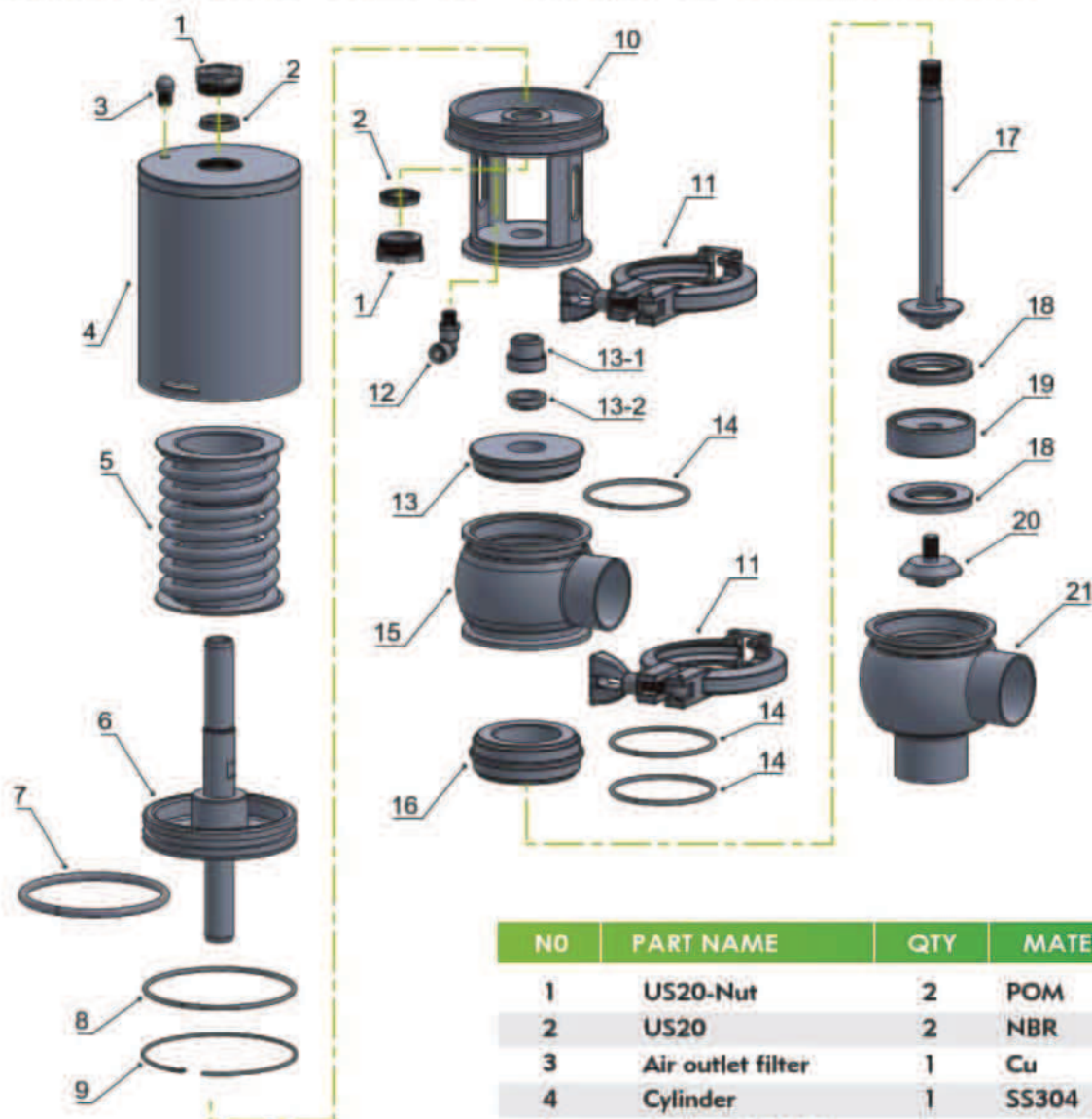


Ordering

- Please state the following when ordering:
 - Size.
 - Connections if not welding ends.
 - Valve body combination.
 - Actuator function, NC, NO, or A/A.
 - Options.

	Size Inch	ID mm	OD mm	ØA mm	H mm	ØD mm	C mm	E1 (Weld/Clamp) mm	E2 (Weld/Clamp) mm
	1.0"	22.1	25.4	50.5	314	73	58	49	57
3A	1.5"	34.7	38.1	50.5	411	87	63	59	69.5
3A	2.0"	47.5	50.8	64	440	114	75	70	70
3A	2.5"	60.2	63.5	77.5	469	114	86.5	82	82
3A	3.0"	72.9	76.1	91	536	133	99	79	88.5
	4.0"	97.6	101.6	119	630	133	138	118	118

PNEUMATIC SEAT VALVE 氣動座閥零件表

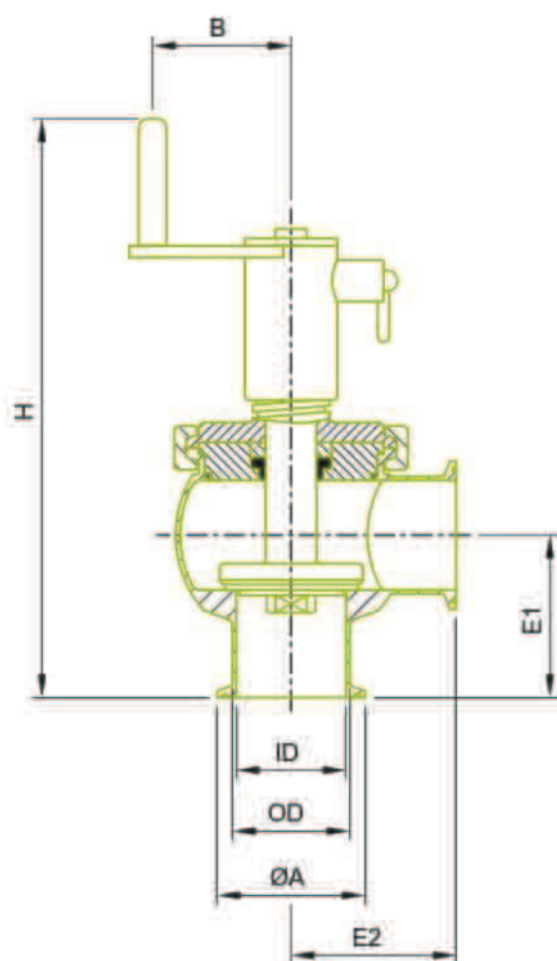


NO	PART NAME	QTY	MATERIAL
1	US20-Nut	2	POM
2	US20	2	NBR
3	Air outlet filter	1	Cu
4	Cylinder	1	SS304
5	Spring assembly	1	SS304+SAE9254
6	Piston	1	Aluminum+SS304
7	O-ring	1	NBR
8	O-ring	1	NBR
9	Lock wire clip	1	SS304
10	Bracket	1	SS304
11	Clamp	2	SS304
12	Air connection	1	Cu
13	Lip	1	SS316L
13-1	Bush	1	POM
13-2	Lip Seal	1	EPDM
14	O-ring	3	EPDM
15	Valve body-upper	1	SS316L
16	Seat	1	SS316L
17	Stem	1	SS316L
18	Seal ring	2	EPDM
19	Middle piece	1	SS316L
20	Screws/Washer	1	SS316L
21	Valve body-lower	1	SS316L

MANUAL SEAT VALVE



MANUAL SEAT VALVE 手動座閥



Valve body combination



Technical data

- Max product pressure: 1000kpa(10bar).
- Min product pressure: Full vacuum.
- Temperature range: -10°C to +95°C(EPDM).

Materials:

- Product wetted steel parts: AISI 316L
- Other steel parts: AISI 304
- Plug stem: AISI 316L with chromium plated stem surface
- Product wetted seals: EPDM
- Finish: Semi bright

Options

- Equipment
- Male parts or clamp liners in accordance with required standard.
- Stainless steel disc replacing standard lip seal.

Material grades

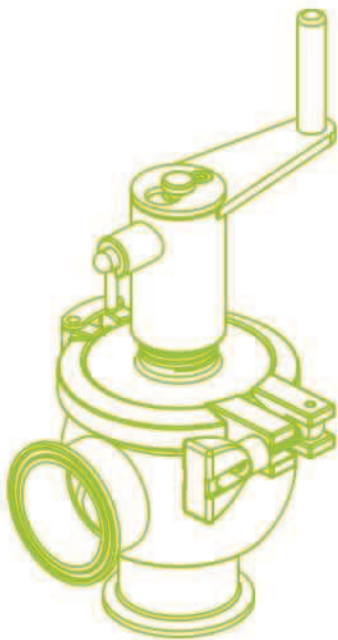
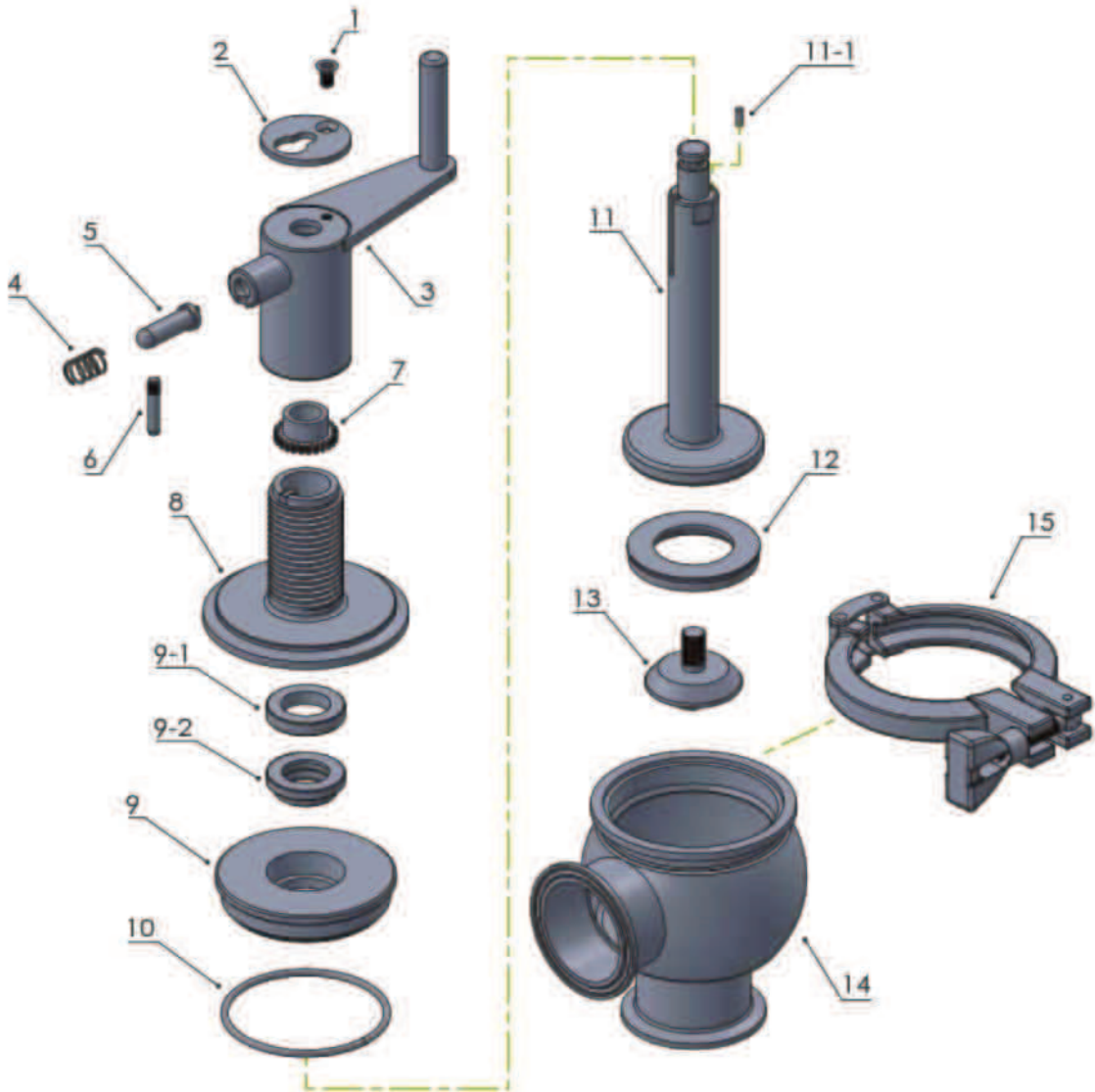
- Product wetted seals and lip seal of EPDM

Ordering

- Please state the following when ordering:
 - Connections if not welding ends.
 - Size.
 - Valve body combination.
 - Options.

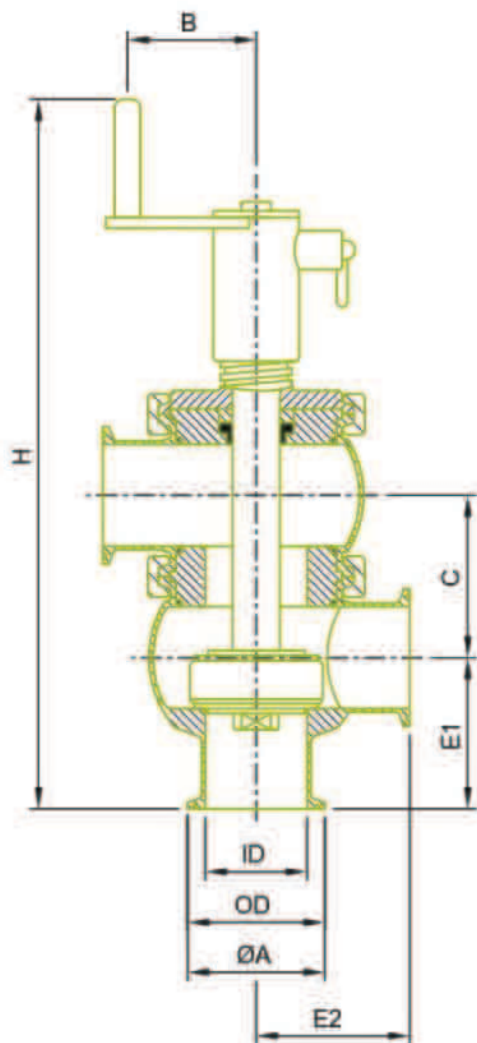
Size Inch	ID mm	OD mm	ØA mm	H mm	B mm	E1(Weld/Clamp) mm	E2(Weld/Clamp) mm
1.0"	22.1	25.4	50.5	212	59	49	57
1.5"	34.7	38.1	50.5	240	80	59	69.5
2.0"	47.5	50.8	64	253	80	70	70
2.5"	60.2	63.5	77.5	267	80	82	82
3.0"	72.9	76.1	91	287	80	79	88.5
4.0"	97.6	101.6	119	345	80	118	118

MANUAL SEAT VALVE 手動L型閥零件表

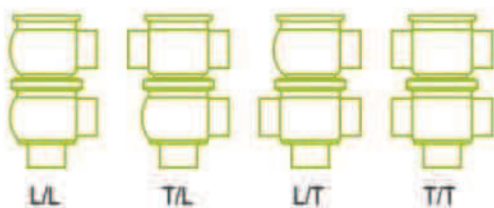


NO	PART NAME	QTY	MATERIAL
1	Screw	1	SS304
2	Ring	1	SS304
3	Handle wheel	1	SS304
4	Spring	1	SS304
5	Pin	1	SS304
6	Pin-A	1	SS304
7	Axle	1	SS304
8	Shaft	1	SS304
9	Lip	1	SS316L
9-1	Bush	1	POM
9-2	Lip seal	1	EPDM
10	O-ring	1	EPDM
11	Stem	1	SS316L
11-1	Pin-B	1	SS304
12	Seal ring	1	EPDM
13	Screws/Washer	1	SS316L
14	Valve body-lower	1	SS316L
15	Clamp	1	SS304

MANUAL SEAT VALVE 手動座閥



Valve body combination



Technical data

- Max product pressure: 1000kpa(10bar).
- Min product pressure: Full vacuum.
- Temperature range: -10°C to +95°C (EPDM).

Materials:

- Product wetted steel parts: AISI 316L
- Other steel parts: AISI 304
- Plug stem: AISI 316L with chromium plated stem surface
- Product wetted seals: EPDM
- Finish: Semi bright

Options

- Equipment
- Male parts or clamp liners in accordance with required standard.
- Stainless steel disc replacing standard lip seal.

Material grades

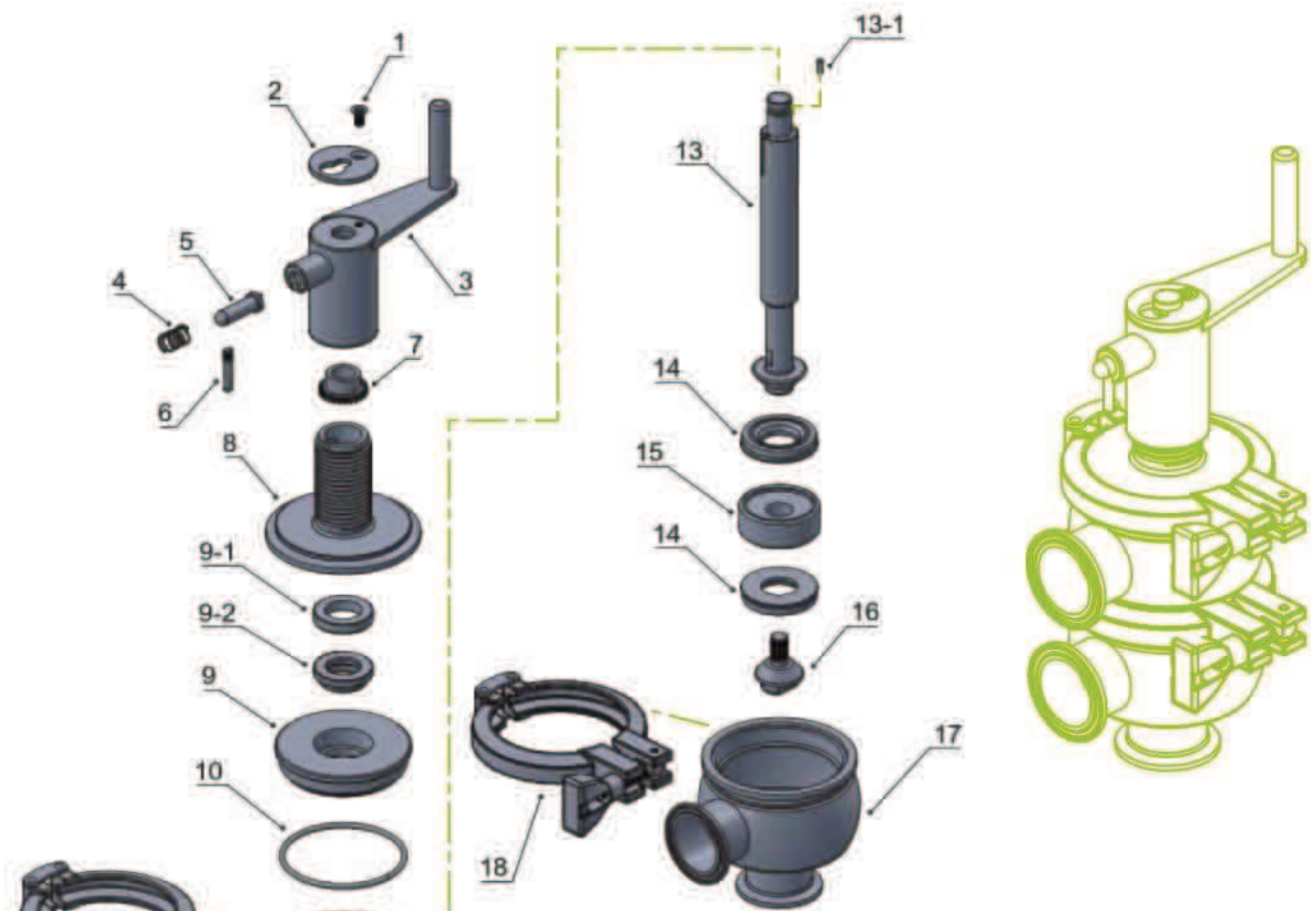
- Product wetted seals and lip seal of EPDM.

Ordering

- Please state the following when ordering:
 - Connections if not welding ends.
 - Size.
 - Valve body combination.
 - Options.

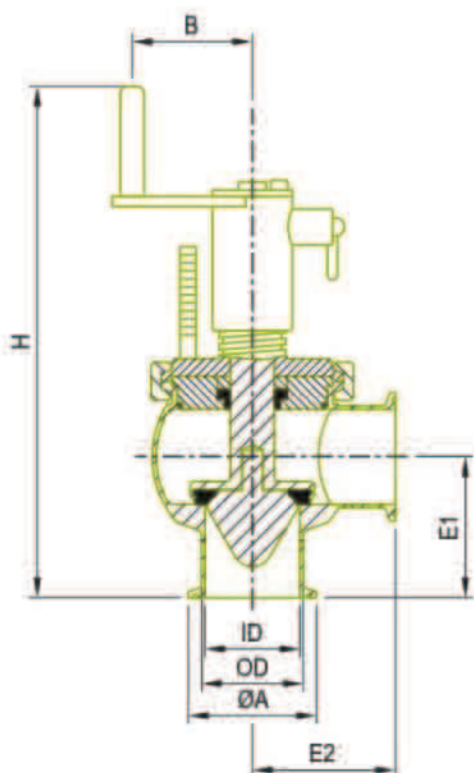
Size Inch	ID mm	OD mm	H mm	ØA mm	B mm	C mm	E1(Weld/Clamp) mm	E2(Weld/Clamp) mm
1.0"	22.1	25.4	202	50.5	59	58	49	57
1.5"	34.7	38.1	321	50.5	80	63	59	69.5
2.0"	47.5	50.8	348	64	80	75	70	70
2.5"	60.2	63.5	404	77.5	80	86.5	82	82
3.0"	72.9	76.1	453	91	80	99	79	88.5
4.0"	97.6	101.6	453	119	80	138	118	118

MANUAL SEAT VALVE 手動L/L型閥零件表



NO	PART NAME	QTY	MATERIAL
1	Screw	1	SS304
2	Ring	1	SS304
3	Handle wheel	1	SS304
4	Spring	1	SS304
5	Pin	1	SS304
6	Pin-A	1	SS304
7	Axle	1	SS304
8	Shaft	1	SS304
9	Lip	1	SS316L
9-1	Bush	1	POM
9-2	Lip seal	1	EPDM
10	O-ring	3	EPDM
11	Valve body-upper	1	SS316L
12	Seat	1	SS316L
13	Stem	1	SS316L
13-1	Pin-B	1	SS304
14	Seal ring	2	EPDM
15	Middle piece	1	SS316L
16	Screws/Washer	1	SS316L
17	Valve body-lower	1	SS316L
18	Clamp	2	SS304

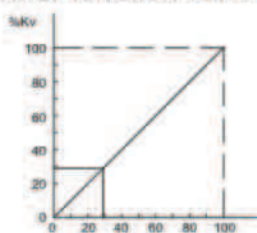
FLOW CONTROLLING VALVE 流量控制閥



Valve body combination



Pressure drop/capacity diagram for control function valve



The flow in % of the total flow at a pressure drop of 1 bar.

Technical data

- Max product pressure: 1000kpa(10bar).
- Min product pressure: Full vacuum.
- Temperature range: -10°C to +95°C(EPDM).

Materials:

- Product wetted steel parts: AISI 316L
- Other steel parts: AISI 304
- Plug stem: AISI 316L with chromium plated stem surface
- Product wetted seals: EPDM
- Finish: Semi bright

Options

- Equipment
- Male parts or clamp liners in accordance with required standard.
- Stainless steel disc replacing standard lip seal.

Material grades

- Product wetted seals and lip seal of EPDM

Ordering

- Please state the following when ordering:
 - Connections if not welding ends.
 - Size.
 - Valve body combination.
 - Options.

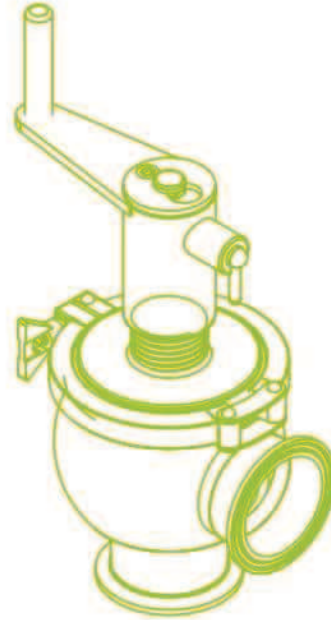
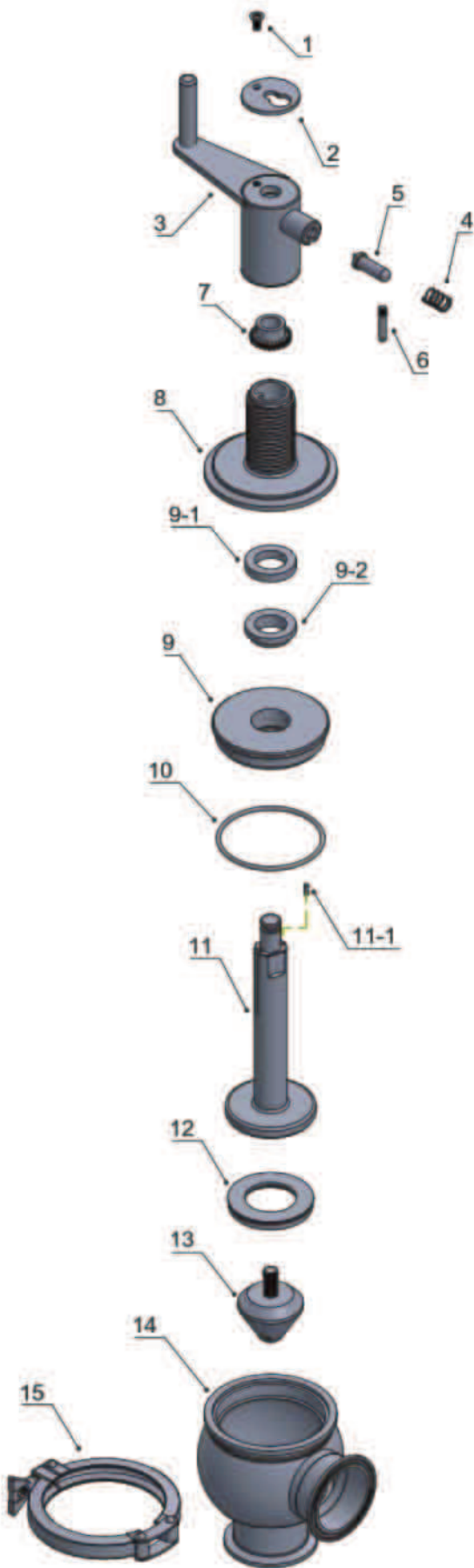
Kv-Factors

SIZE	Kv
1.5"	14
2"	75
2.5"	113
3"	171
4"	250

Size Inch	ID mm	OD mm	ØA mm	H mm	B mm	E1(Weld/Clamp) mm	E2(Weld/Clamp) mm
1.0"	22.1	25.4	50.5	212	59	49	57
1.5"	34.7	38.1	50.5	240	80	59	69.5
2.0"	47.5	50.8	64	253	80	70	70
2.5"	60.2	63.5	77.5	267	80	82	82
3.0"	72.9	76.1	91	287	80	79	88.5
4.0"	97.6	101.6	119	345	80	118	118

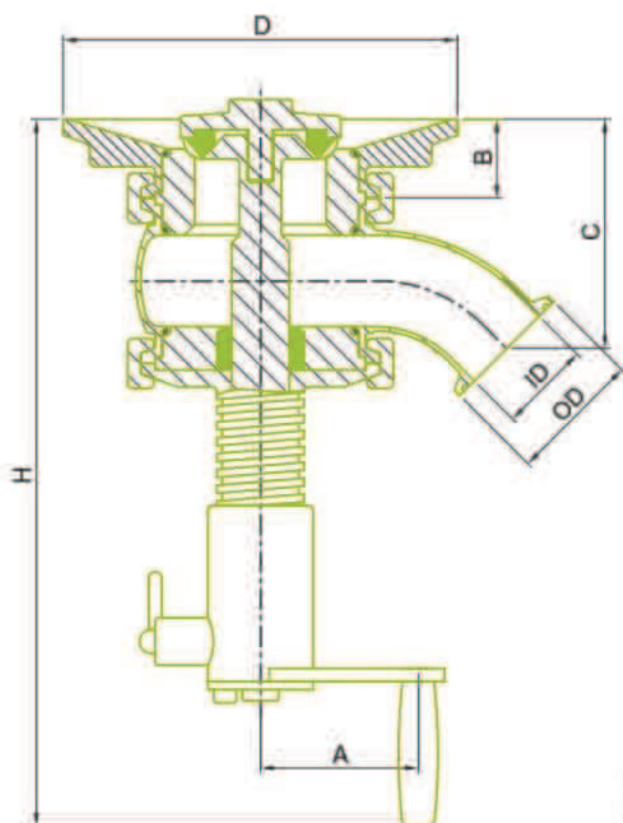
FLOW CONTROLLING VALVE

手動流量控制閥零件表



NO	PART NAME	QTY	MATERIAL
1	Screw	1	SS304
2	Ring	1	SS304
3	Handle wheel	1	SS304
4	Spring	1	SS304
5	Pin	1	SS304
6	Pin-A	1	SS304
7	Axle	1	SS304
8	Shaft	1	SS304
9	Lip	1	SS316L
9-1	Bush	1	POM
9-2	Lip seal	1	EPDM
10	O-ring	1	EPDM
11	Stem	1	SS316L
11-1	Pin-B	1	SS304
12	Seal ring	1	EPDM
13	Washer	1	SS316L
14	Valve body Lower	1	SS316L
15	Clamp	1	SS304

MANUAL TANK VALVE 手動桶底閥



Technical data

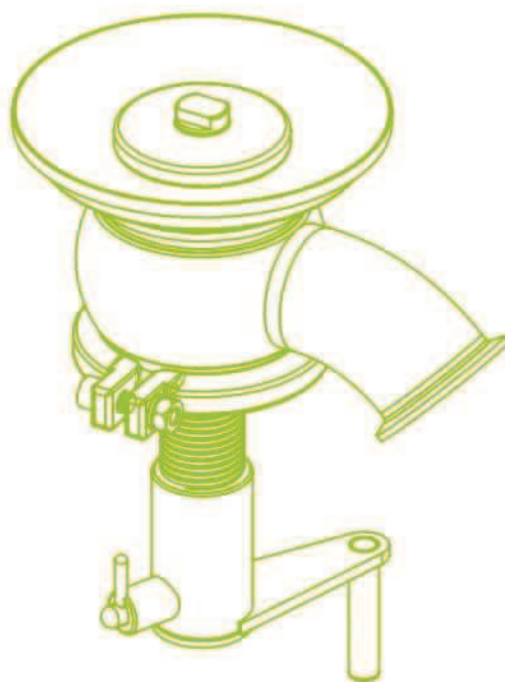
- Max product pressure: 1000kpa(10bar).
- Min product pressure: Full vacuum.
- Temperature range: -10°C to +95°C(EPDM).
-20°C to +120°C(Teflon).

Materials:

- Product wetted steel parts: AISI 316L
- Other steel parts: AISI 304
- Plug stem: AISI 316L with chromium plated stem surface
- Product wetted seals: EPDM/Teflon
- Finish: Semi bright

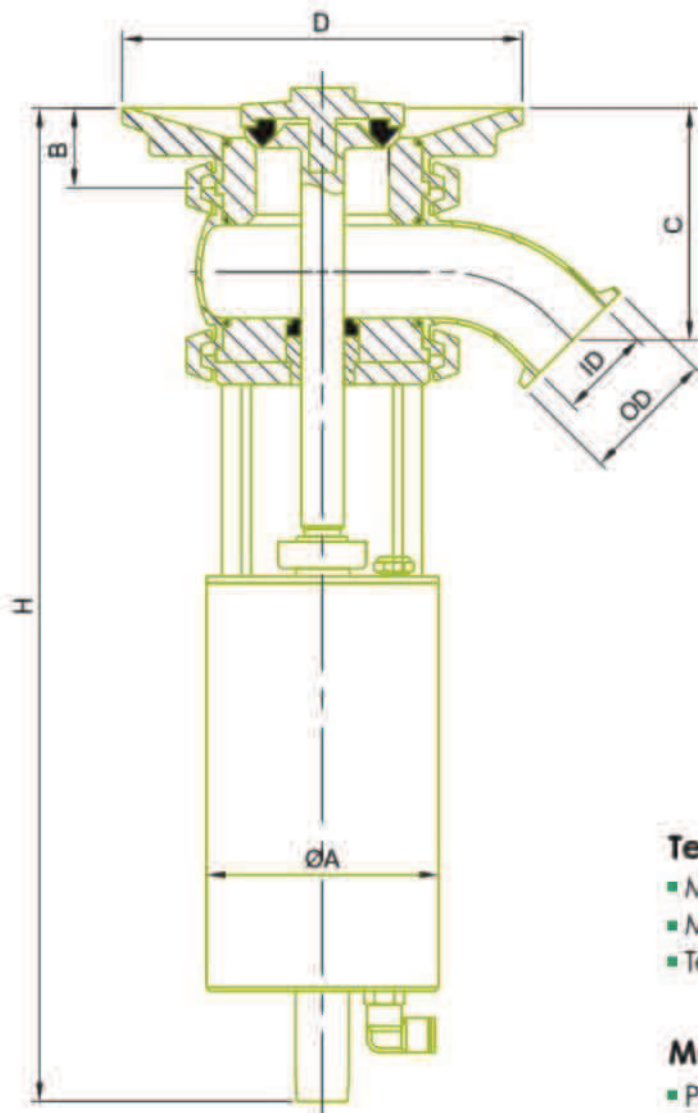
Size Inch	ID mm	OD mm	H mm	A mm	B mm	C mm	D mm	Part Number	
								Teflon	EPDM
1.0"	22.1	50.5	248	59	25	74	100	1610002-001107	1610002-002107
1.5"	34.7	50.5	268	80	30	87	150	1610002-001147	1610002-002147
2.0"	47.5	64	280	80	30	98.8	150	1610002-001207	1610002-002207
2.5"	60.2	77.5	293	80	30	110	165	1610002-001247	1610002-002247
3.0"	72.9	91	329	80	30	121.7	180	1610002-001307	1610002-002307

MANUAL TANK VALVE 手動桶底閥零件表



NO	PART NAME	QTY	MATERIAL
1	Screw	1	SS316L
2	Seal ring	1	Teflon/EPDM
3	Welding Flange	1	SS316L
4	Stem	1	SS316L
4-1	Pin-B	1	SS304
5	Seat	1	SS316L
6	O-ring	3	EPDM
7	Body	1	SS316L
8	Lip	1	SS316L
8-1	Bush	1	POM
8-2	Lip seal	1	EPDM
9	Shaft	1	SS304
10	Axle	1	SS304
11	Handle wheel	1	SS304
12	Ring	1	SS304
13	Screw	1	SS304
14	Spring	1	SS304
15	Pin	1	SS304
16	Pin-A	1	SS304
17	Clamp	2	SS304

PNEUMATIC TANK VALVE 氣動桶底閥



Technical data

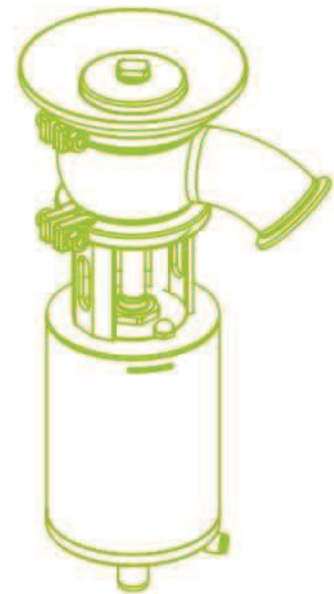
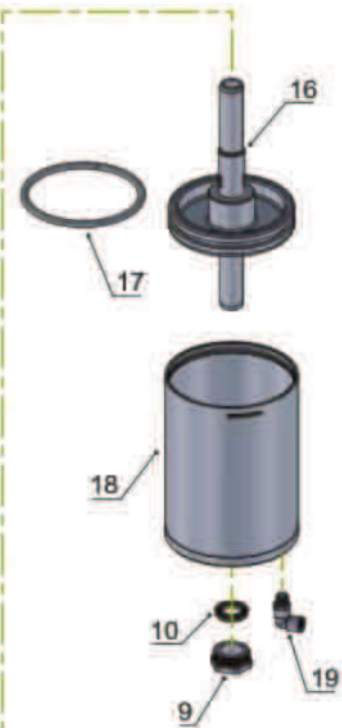
- Max product pressure: 1000kpa(10bar).
- Min product pressure: Full vacuum.
- Temperature range: -10°C to +95°C(EPDM).
-20°C to +120°C(Teflon).

Materials:

- Product wetted steel parts: AISI 316L
- Other steel parts: AISI 304
- Plug stem: AISI 316L with chromium plated stem surface
- Product wetted seals: EPDM/Teflon
- Finish: Semi bright

Size Inch	ID mm	OD mm	H mm	ØA mm	B mm	C mm	D mm	Part Number	
								Teflon	EPDM
1.0"	22.1	50.5	268	73	25	74	100	1610012-001107	1610012-002107
1.5"	34.7	50.5	375	87	30	87	150	1610012-001147	1610012-002147
2.0"	47.5	64	380	114	30	98.8	150	1610012-001207	1610012-002207
2.5"	60.2	77.5	390	114	30	110	165	1610012-001247	1610012-002247
3.0"	72.9	91	475	133	30	121.7	180	1610012-001307	1610012-002307

PNEUMATIC TANK VALVE 氣動桶底閥零件表

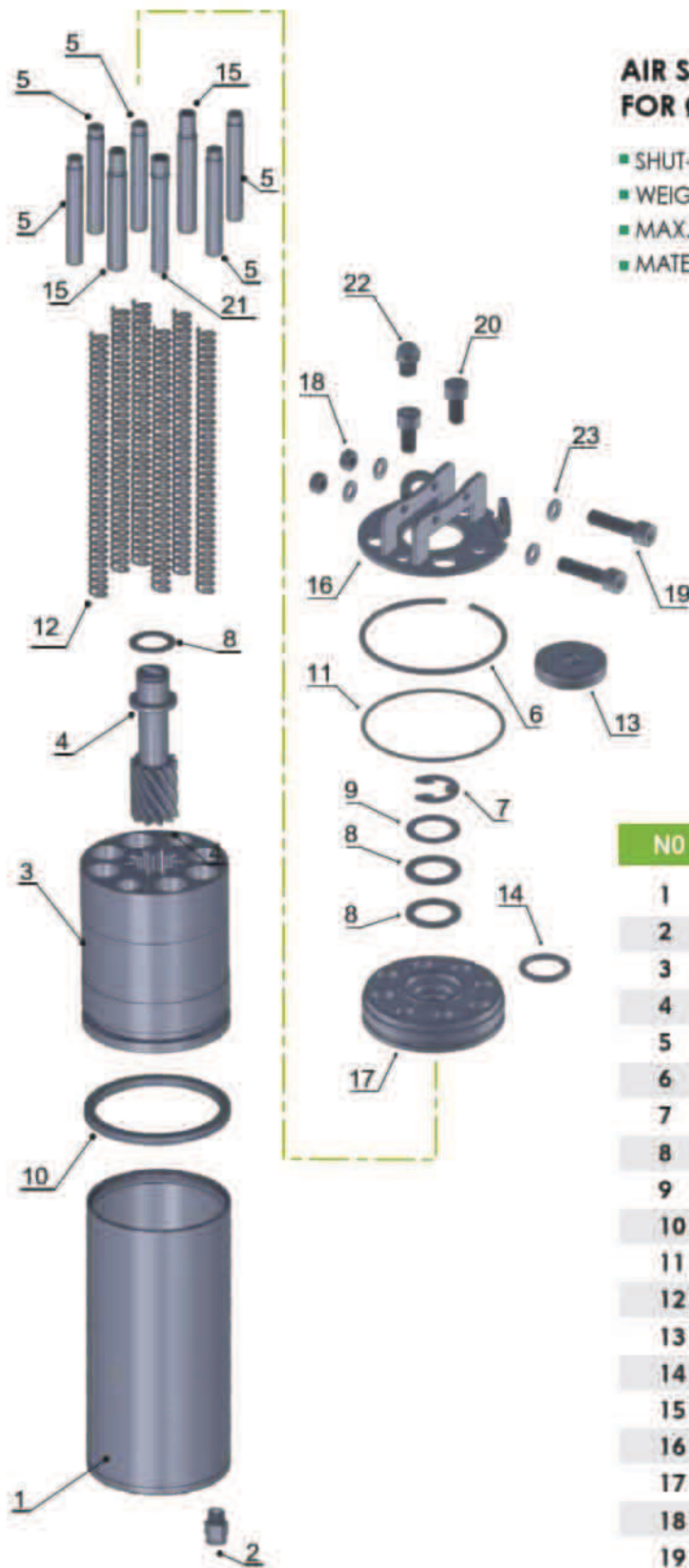


NO	PART NAME	QTY	MATERIAL
1	Screw	1	SS316L
2	Seal-ring	1	Teflon/EPDM
3	Welding Flange	1	SS316L
4	Stem	1	SS316L
5	Seat	1	SS316L
6	O-ring	3	EPDM
7	Body	1	SS316L
8	Lip	1	SS316L
8-1	Lip Seal	1	EPDM
8-2	Bush	1	POM
9	US20-Nut	2	POM
10	US20	2	NBR
11	Bracket	1	SS304
12	Air outlet filter	1	Cu
13	Lock wire clip	1	SS304
14	O-ring	1	NBR
15	Spring assembly	1	SS304+SAE9254
16	Piston	1	Aluminum+SS304
17	O-ring	1	NBR
18	Cylinder	1	SS304
19	Air connection	1	Cu
20	Clamp	2	SS304

ACTUATOR



S1 ACTUATOR S1氣動頭



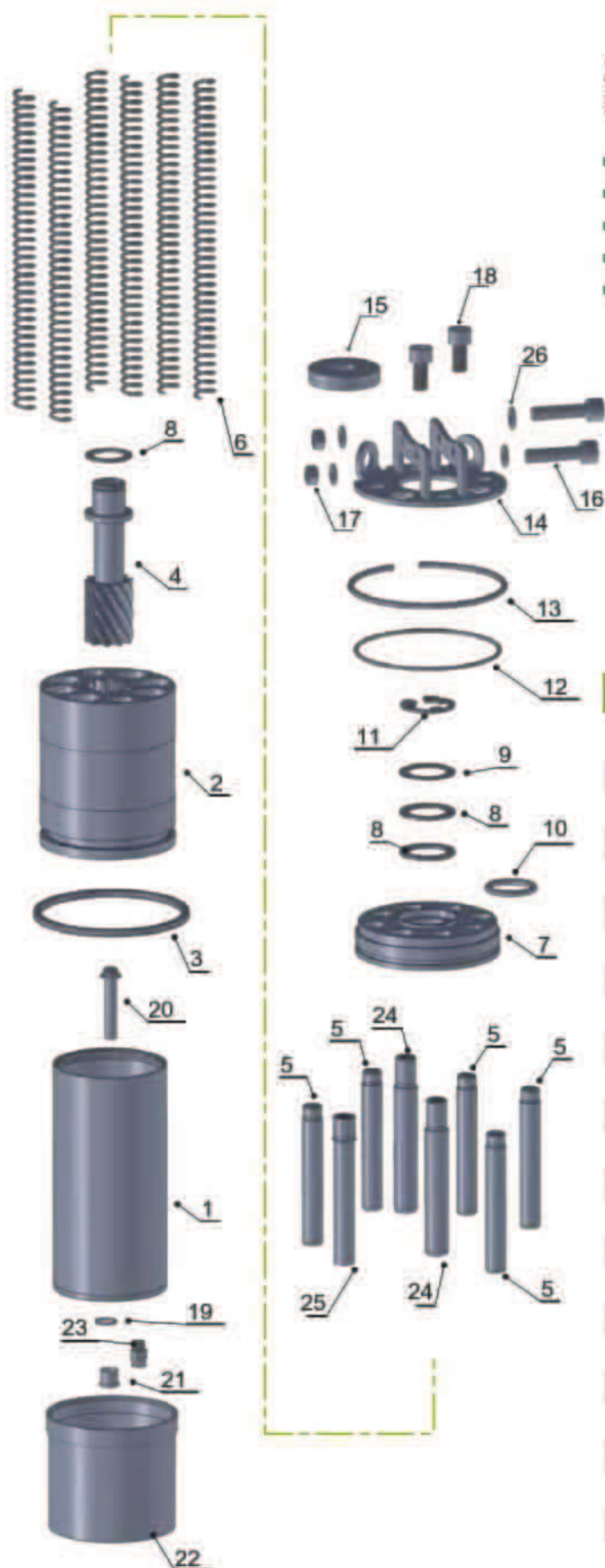
AIR SPRING ACTUATOR SIMPLE OR DOUBLE EFFECT FOR Ø25(1") TO Ø76(3") Butterfly Valve

- SHUT-OFF TIME: 1.5 SECOND
- WEIGHT: 3.850KG
- MAX. torque: 35N.m
- MATERIAL: STAINLESS STEEL AISI 304.



N0	PART NAME	QTY	MATERIAL
1	Inox Cylinder	1	SS304
2	Air connection 1/8 Gas	1	Cu
3	Piston	1	POM
4	Coupling axle piece	1	SS303
5	Piston guide parts	5	SS304
6	Mounting C type spring	1	S/S
7	Circlip	1	SS304
8	Teflon contact seal	3	TEFLON
9	SS304 Ring	1	SS304
10	Piston X-Ring	1	NBR
11	Lower cylinder seal	1	NBR
12	Compression spring	6	S/S
13	Plastic positioning ring	1	Plastic
14	Axle piston seal	1	NBR
15	Piston guide parts	2	SS304
16	Mounting bracket	1	SS304
17	Lower cylinder end	1	SS303
18	M6 Nut	2	SS304
19	M6x35 stainless steel screw	2	S/S
20	M8x16 screw	2	S/S
21	Piston guide parts	1	SS304
22	Air outlet filter	1	Cu
23	M6 Ring	4	SS304

S3 ACTUATOR S3氣動頭



AIR/SPRING ACTUATOR SIMPLE OR DOUBLE EFFECT FOR Ø25(1") TO Ø76(3") Butterfly Valve

- SHUT-OFF TIME: 1.5 SECOND
- WEIGHT: 3.850KG
- MAX. torque: 35N.m
- MATERIAL: STAINLESS STEEL AISI 304.
- COVER: PLASTIC



NO	PART NAME	QTY	MATERIAL
1	Inox Cylinder	1	SS304
2	Piston	1	POM
3	Piston X-Ring	1	NBR
4	Coupling axle piece	1	SS303
5	Piston guide parts	5	SS304
6	Compression spring	6	S/S
7	Lower cylinder end	1	SS303
8	Teflon contact seal	3	TEFLON
9	SS304 Ring	1	SS304
10	Axle piston seal	1	NBR
11	Circlip	1	SS304
12	Lower cylinder O-Ring	1	NBR
13	Mounting C type spring	1	S/S
14	Mounting bracket	1	SS304
15	Plastic positioning ring	1	Plastic
16	M6x35 stainless steel screw	2	S/S
17	M6 Nut	2	SS304
18	M8x16 screw	2	S/S
19	Upper seal ring	1	NBR
20	Piston Stem	1	SS304
21	Stem Plastic Cover	1	Plastic
22	Plastic Cover	1	Plastic
23	Air connection 1/8 Gas	1	Cu
24	Piston guide parts	2	SS304
25	Piston guide parts	1	SS304
26	M6 Ring	4	SS304

S104 ACTUATOR S104氣動頭



AIR ACTUATOR SIMPLE OR DOUBLE EFFECT FOR BUTTERFLY VALVE Ø85 TO Ø150 AND FULL

- FLOW BALL VALVE DN50 TO DN80
- SHUT-OFF TIME: 1.7 SECOND
- WEIGHT: 4.700KG
- POWER: AIR ACTUATOR 5 BAR Min.
SIMPLE EFFECT Air/Spring
DOUBLE EFFECT Air/Air
- Max. torque 75N.m
- MATERIAL: STAINLESS STEEL AISI 304.



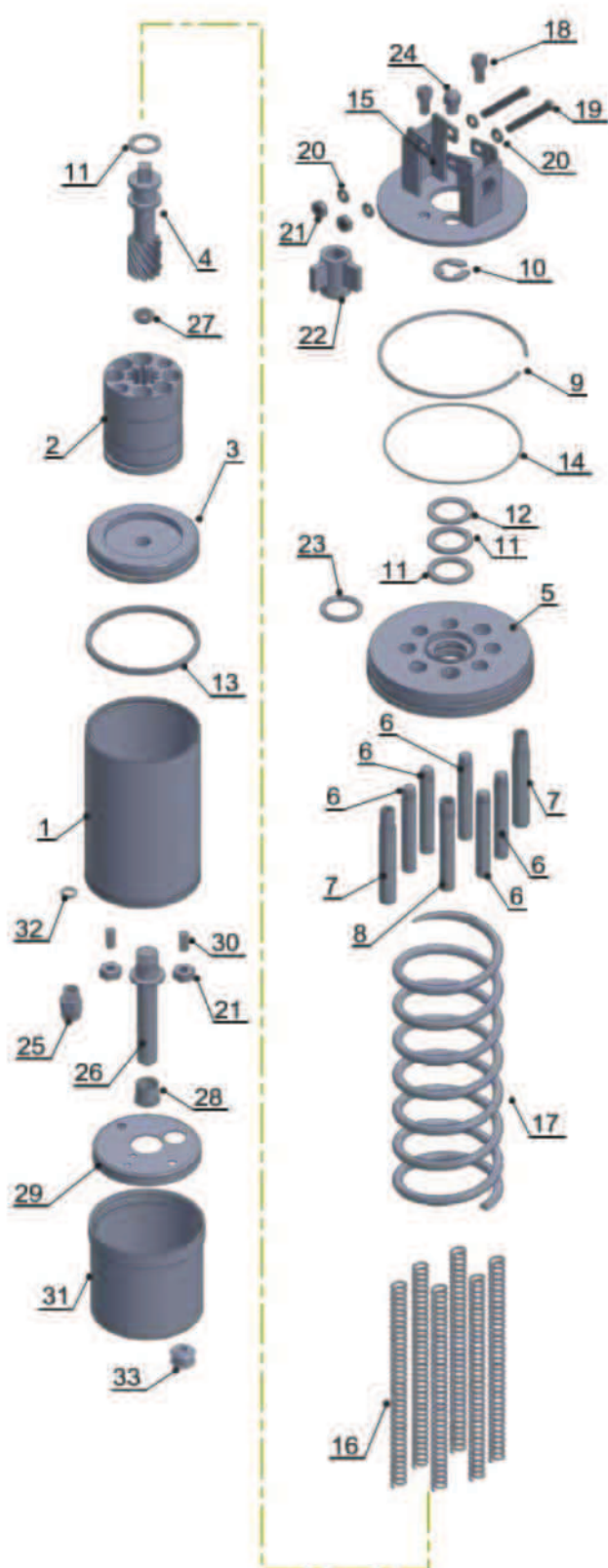
NO	PART NAME	QTY	MATERIAL
1	Cylinder	1	SS304
2	Piston	1	POM
3	Aluminum Piston	1	Al
4	Coupling axle piece	1	SS303
5	Lower cylinder	1	SS303
6	Mounting C type spring	1	SS304
7	Piston guide parts	5	SS304
8	Piston guide parts	2	SS304
9	Piston guide parts	1	SS304
10	Teflon contact seal	3	TEFLON
11	SS304 Ring	1	SS304
12	Circlip	1	SS304
13	Piston X-Ring	1	NBR
14	Piston stem nut	1	SS304
15	Mounting bracket	1	SS304
16	Compression spring	1	SS304
17	Compression spring	6	S/S
18	Piston stem screw	1	SS304
19	Axle piston seal	1	NBR
20	M8x16 screw	2	S/S
21	M6x40 screw	2	S/S
22	M6 Nut	2	SS304
23	Connecting piece	1	SS304
24	Air outlet filter	1	Cu
25	Air connection 1/8 Gas	1	Cu
26	M6 Ring	4	SS304
27	Lower cylinder seal	1	NBR

S104B ACTUATOR

S104B 氣動頭

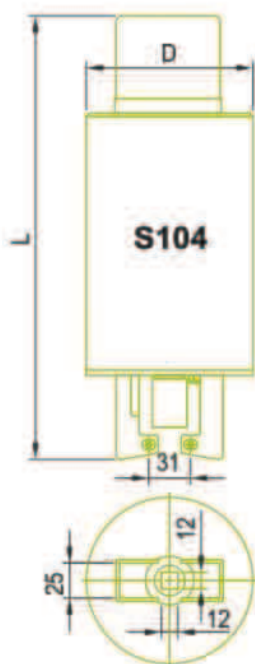
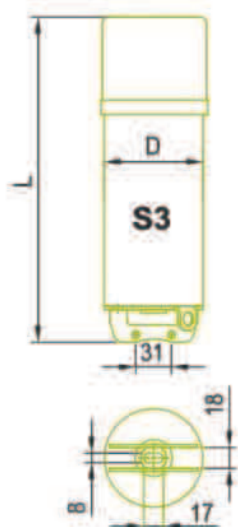
AIR ACTUATOR SIMPLE OR DOUBLE EFFECT FOR BUTTERFLY VALVE Ø85 TO Ø150 AND FULL

- FLOW BALL VALVE DN50 TO DN80
- SHUT-OFF TIME: 1.7 SECOND
- WEIGHT: 4.700KG
- POWER: AIR ACTUATOR 5 BAR Min.
SIMPLE EFFECT Air/Spring
DOUBLE EFFECT Air/Air
- CONSUMPTION: 0.550 LITRE AT 5 BAR
- Max. torque 75N.m
- MATERIAL: STAINLESS STEEL AISI 304.



NO	PART NAME	QTY	MATERIAL
1	Cylinder	1	SS304
2	Piston	1	POM
3	Aluminum Piston	1	Al
4	Coupling axle piece	1	SS303
5	Lower cylinder	1	SS303
6	Piston guide parts	5	SS304
7	Piston guide parts	2	SS304
8	Piston guide parts	1	SS304
9	Mounting C type spring	1	SS304
10	Circlip	1	SS304
11	Teflon contact seal	3	TEFLON
12	SS304 Ring	1	SS304
13	Piston X-Ring	1	NBR
14	Lower cylinder seal	1	NBR
15	Mounting bracket	1	SS304
16	Compression spring	6	S/S
17	Compression spring	1	SS304
18	M8x16 screw	2	S/S
19	M6x40 screw	2	S/S
20	M6 Ring	4	SS304
21	M6 Nut	4	SS304
22	Connecting piece	1	SS304
23	Axle piston seal	1	NBR
24	Air outlet filter	1	Cu
25	Air connection 1/8 Gas	1	Cu
26	Piston stem screw	1	SS304
27	Piston stem nut	1	SS304
28	Stem Plastic Cover	1	Plastic
29	Support Cover	1	SS304
30	M6x10 Screw	2	SS304
31	Stem Plastic Cover	1	Plastic
32	Upper lower seal ring	1	NBR
33	Guide for air flow tube	1	NBR

ACTUATOR 氣動頭



Actuator Data

- S1/S3 : Shut-off time:1.5 second /Weight : 3.85KGS.
- S104 : Shut-off time:1.7 second /Weight : 4.7KGS.

Technical data

- Max. air pressure: 7bar(700kPa).
- Min. air pressure, NC or NO: 5bar(500kPa)
- Temperature range: -25°C to +90°C.
- Air consumption (litres free air) S1/S3 : 0.24*P(bar).
- Air consumption (litres free air) S104 : 0.55*P(bar).
- Signal transfer : S1/S104 can be connected with M12 screw proximity switch (PNP or NPN)
- Signal transfer : S3 can be connected with M12 screw proximity switch(PNP or NPN) or control box.

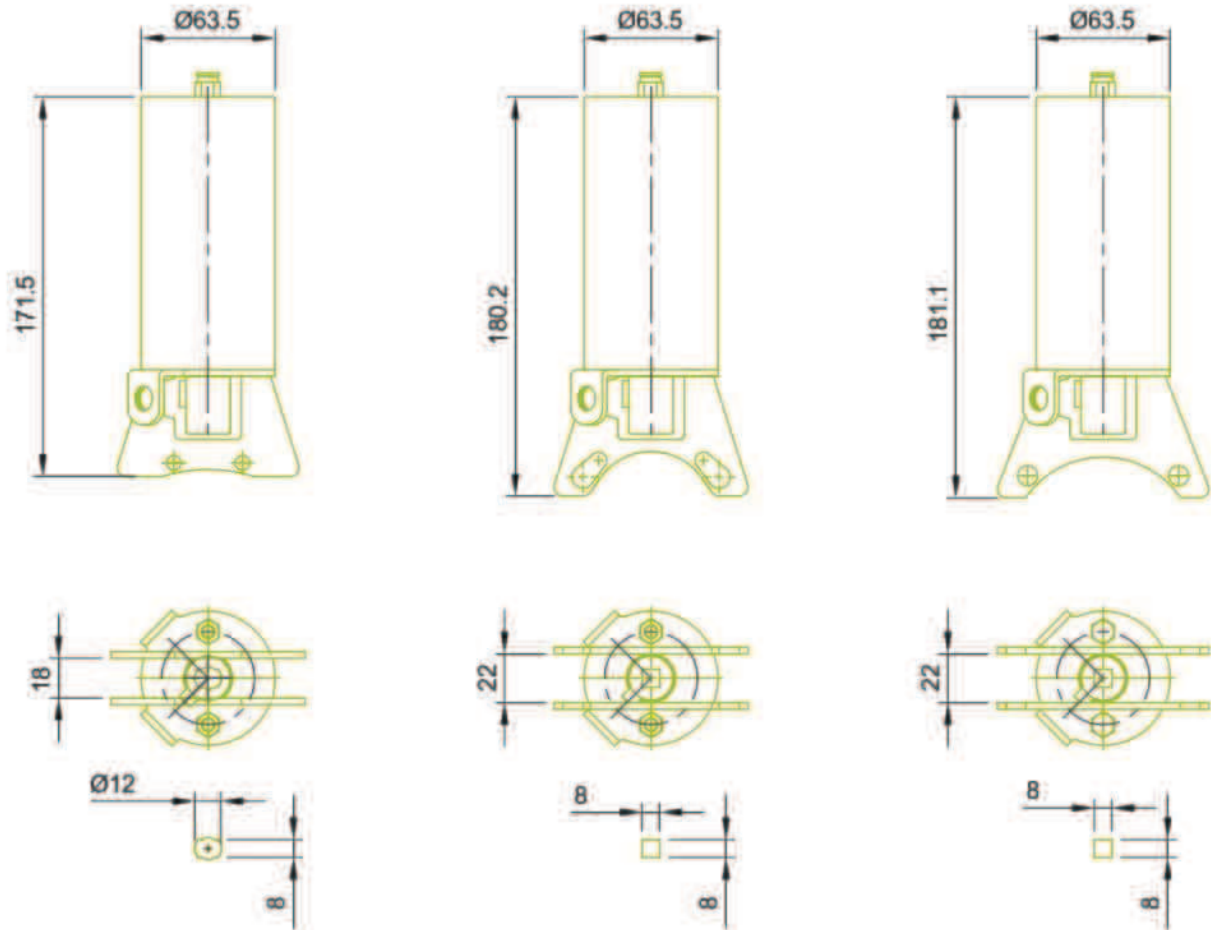
Material:

- Actuator body: Stainless steel AISI 304.
- Piston : POM.
- Seal : NBR.

S1/S3 /S104 Actuator

Size	For butterfly valve	D mm	L mm
S1	1"-3" Dn25-76	85	205
S3	1"-3" Dn25-76	85	274
S104	4" Dn104	120	335

A63 ACTUATOR A63 氣動頭

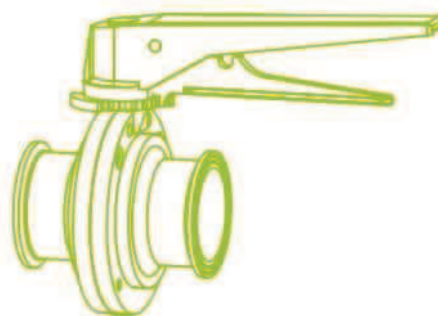
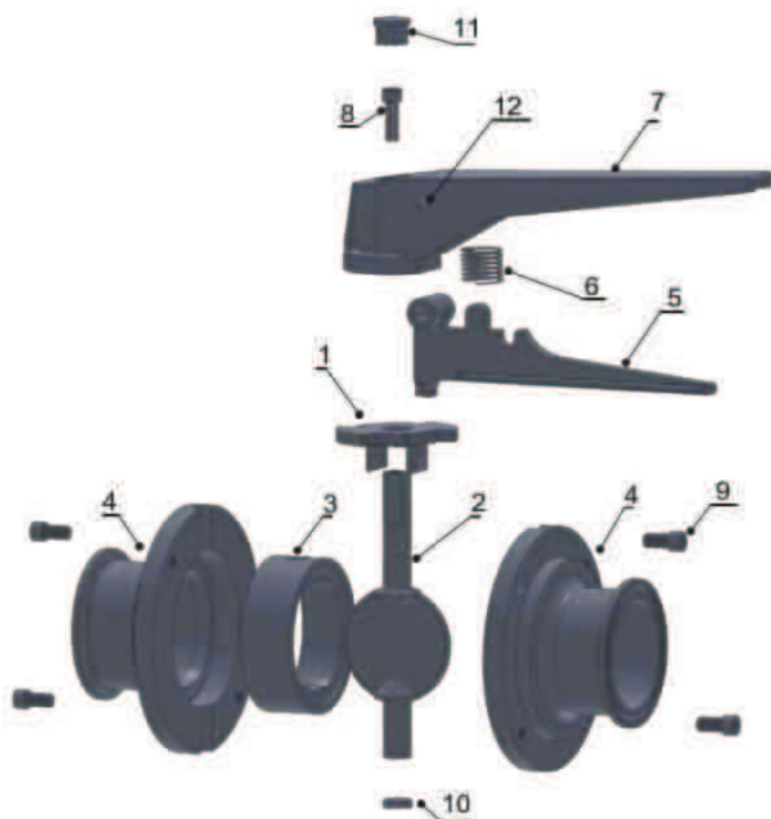


- AIR SPRING(SIMPLE EFFECT) ACTUATOR or AIR/AIR(DOUBLE EFFECT) ACTUATOR
- For opening torque less than 20 N.m butterfly valve or ball valve.
- SHUT-OFF TIME : 0.8 Second
- Weight : 1.5 kg(Smaller diameter / Smaller space)
- MAX PRESSURE : 0.8Mpa(8bar)
- MIN PRESSURE : 0.4Mpa(4bar)
- 1/8PT quick coupler
- U-ring design makes longer operation life
- Easy installation can be installed locator
(cylindrical M12 * 1.0P
proximity switch PNP / NPN)
- Passed with 100,000 times 6bar
open / close running test,torque
reduction approximately 1 N.m

BUTTERFLY VALVE



BUTTERFLY VALVE 碟閥技術資料



Technical Data

- Max. product pressure: 10bar
- Min. product pressure: Fullvacuum.
- Temperature range: -10° to +95°C (EPDM)
-10° to +225°C (Silicon)
-15° to +200°C (Viton)

Materials

- Product wetted steel parts: AISI 304 OR AISI 316L.
- Finish: Semi-bright.
- Other steel parts: AISI 304.
- Rubber gards: EPDM, Silicon or VITON.

Ordering

Please state the following when ordering:

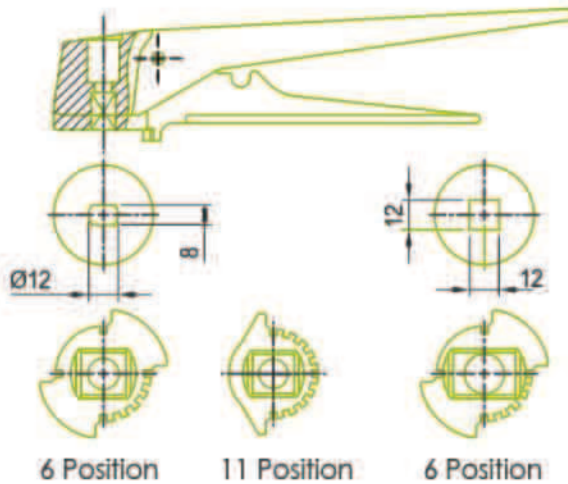
- Valve type.
- Valve size.
- Connections. if not welding ends.
- Materials: AISI 304 or AISI 316L.
- Rubber garde: EPDM, Silicon, or Viton
- Type of handle, if required.

NO	DESIGNATION	QTY	Material
1	Notch plate	1	SS304
2	Disc	1	SS304/SS316L
3	Seal	1	EPDM/Silicon/VITON
4	Body	2	SS304/SS316L
5	Girpper bar	1	SS304
6	Spring	1	SS304
7	Handle	1	Nylon Or SS304
8	Screw(M6x16)	1	SS304
9	Screw(M6x11)	4	SS304
10	Seat	1	EPDM
11	Bush	1	PE
12	Pin	1	SS304

Torque for Open/Close (for rotating the valve disc in a dry seal ring)

Size	Max.Nm
1" / DN25	6
1.5" / DN38	8
2" / DN51	12
2.5" DN63.5	14
3" / DN76	16
4" / DN104	25
6"	35

BUTTERFLY VALVE HANDLES 碟閥把手



Materials:

- Handle : Nylon 6+30% glass fiber or AISI 304
- Gripper bar : AISI 304
- Notch : AISI 304



For 1"to3" Butterfly valve

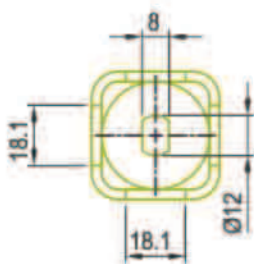


For 4" Butterfly valve

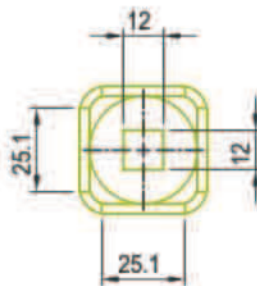


Materials:

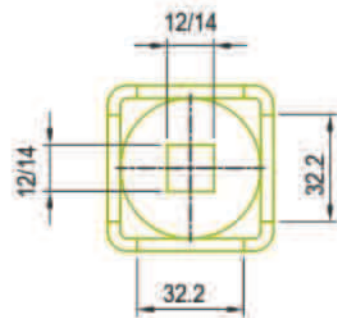
- Handle : Stainless steel 304 with knob.



For 1"to3" Butterfly valve
4 Position

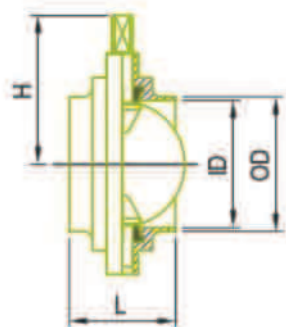


For 4" Butterfly valve
4 Position



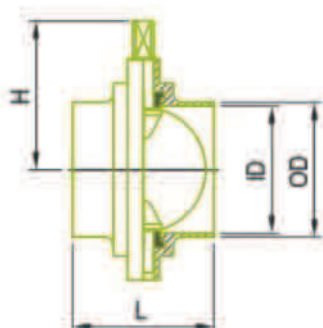
For 6" / 8" Butterfly valve
4 Position

BUTTERFLY VALVES 碟閥



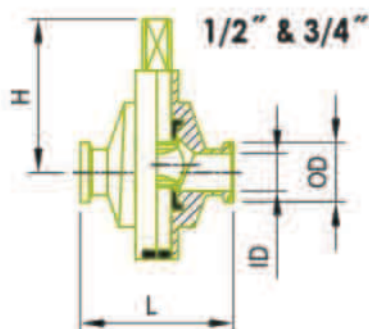
Inch Size Weld Butterfly Valves 英制焊式蝶閥

Size	ID mm	OD mm	L mm	H mm
1.0"	22.1	25.4	52	61
1.5"	34.8	38.1	52	64.3
2.0"	47.5	50.8	54	74.3
2.5"	60.2	63.5	56	77.6
3.0"	72.9	76.2	60	84.8
4.0"	97.6	101.6	72	101.7
6.0"	146.4	152.4	143	133.5
8.0"	197.7	203.3	136	158.5



SMS Weld Butterfly Valves SMS焊式蝶閥

Size	ID mm	OD mm	L mm	H mm
DN25	22.5	25	68	61
DN38	35.4	38	76	64.3
DN51	48	51	80	74.3
DN63	60.3	63.5	80	77.6
DN76	72.9	76.1	82	84.8
DN104	100	104	88	101.7



DIN Weld Butterfly Valves DIN焊式蝶閥

Size	ID mm	OD mm	L mm	H mm
DN15	16	19	60	52
DN20	19	23	64	61
DN25	25	28	68	61
DN32	31	34	76	64.3
DN40	37	40	76	66.7
DN50	49	52	80	74.3
DN70	66	70	82	81.5
DN85	81	85	84	91.6
DN104	100	104	88	101.7
DN125	125	132	120	116.2
DN150	150	157	124	131.1

(LONG) 長夾式蝶閥

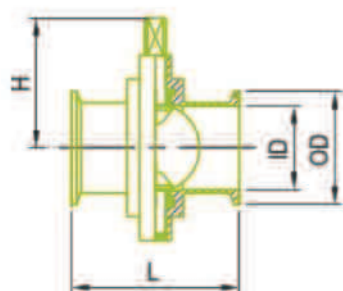
Inch Size Clamp Butterfly Valves

Size	ID mm	OD mm	L mm	H mm
1/2"	9.4	25	64	61
3/4"	15.8	25	64	61
1.0"	22.1	50.5	90	61
1.5"	34.8	50.5	90	64.3
2.0"	47.5	64	95	74.3
2.5"	60.2	77.5	97	77.6
3.0"	72.9	91	103	84.8
4.0"	97.6	119	103	101.7
6.0"	146.4	166.8	143	133.5
8.0"	197.7	217.7	136	158.5

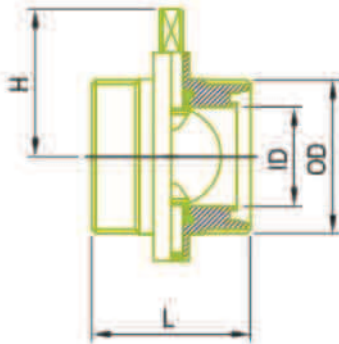
(SHORT) 短夾式蝶閥

Inch Size Clamp Butterfly Valves

Size	ID mm	OD mm	L mm	H mm
1.0"	22.1	50.5	60	61
1.5"	34.8	50.5	60	64.3
2.0"	47.5	64	60	74.3
2.5"	60.2	77.5	60	77.6
3.0"	72.9	91	60	84.8

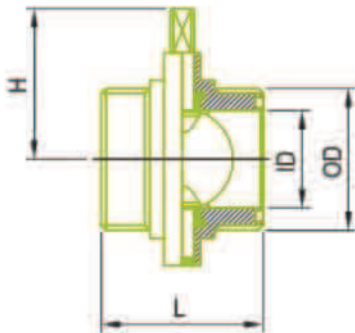


BUTTERFLY VALVES



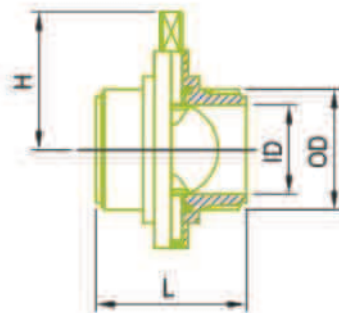
DIN Male Butterfly Valves DIN牙口碟閥

Size	ID mm	OD mm	L mm	H mm
DN25	25	RD52 x 1/6	68	61
DN34	32	RD58 x 1/6	76	63.3
DN40	38	RD65 x 1/6	76	66.7
DN50	50	RD78 x 1/6	80	74.3
DN70	66	RD95 x 1/6	82	81.5
DN85	81	RD110 x 1/4	84	91.6
DN104	100	RD130 x 1/4	100	101.7



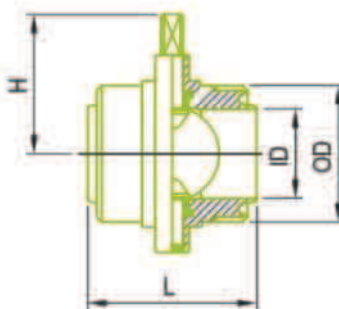
SMS Male Butterfly Valves SMS牙口碟閥

Size	ID mm	OD mm	L mm	H mm
DN25	22.5	RD40 x 1/6	68	61
DN38	35.4	RD60 x 1/6	76	64.3
DN51	48	RD70 x 1/6	80	74.3
DN63	60.2	RD85 x 1/6	80	77.6
DN76	72.1	RD98 x 1/6	82	84.8
DN104	100	RD125 x 1/4	88	101.7



IDF Male Butterfly Valves IDF牙口碟閥

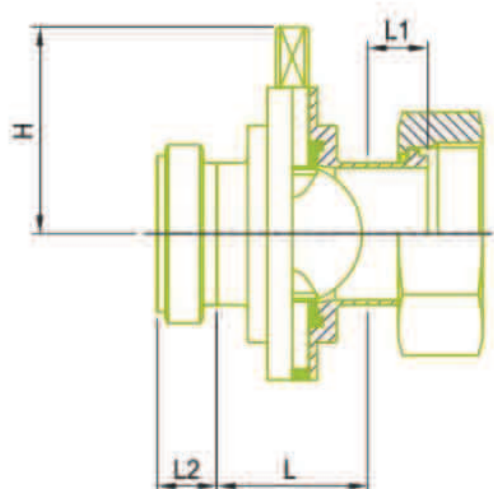
Size	ID mm	OD mm	L mm	H mm
1.0"	22.1	37.13 x 8TPI ACME	80	61
1-1/2"	34.9	50.65 x 8TPI ACME	80	64.3
2.0"	47.5	64.16 x 8TPI ACME	80	74.3
2-1/2"	60.3	77.76 x 8TPI ACME	80	77.6
3.0"	73	91.19 x 8TPI ACME	80	84.8
4.0"	97.6	125.9 x 6TPI ACME	100	101.7



RJT Male Butterfly Valves RJT牙口碟閥

Size	ID mm	OD mm	L mm	H mm
1.0"	22.1	45.72 x 8T WHIT	80	61
1-1/2"	34.9	58.42 x 8T WHIT	90	64.3
2.0"	47.5	72.72 x 6T WHIT	90	74.3
2-1/2"	60.3	85.42 x 6T WHIT	90	77.6
3.0"	72.9	98.12 x 6T WHIT	90	84.8
4.0"	97.6	123.82 x 6T WHIT	100	101.7

BUTTERFLY VALVES 由任式碟閥



IDF Male part - nut and liner

Size	L mm	L1 mm	L2 mm	H mm
1.0"	52	21.5	21.5	61
1.5"	52	21.5	21.5	64.3
2.0"	54	21.5	21.5	74.3
2.5"	56	21.5	21.5	77.6
3.0"	60	21.5	21.5	84.8
4.0"	72	30.0	30.0	101.7

RJT Male part - nut and liner

Size	L mm	L1 mm	L2 mm	H mm
1.0"	52	19.5	27.0	61
1.5"	52	19.5	27.0	64.3
2.0"	54	19.5	27.0	74.3
2.5"	56	19.5	27.0	77.6
3.0"	60	19.5	27.0	84.8
4.0"	72	19.5	27.0	101.7

3A Male part - nut and liner

Size	L mm	L1 mm	L2 mm	H mm
1.0"	52	18.3	18.3	61
1.5"	52	18.3	18.3	64.3
2.0"	54	19.1	19.1	74.3
2.5"	56	22.3	22.2	77.6
3.0"	60	23.1	23.1	84.8
4.0"	72	26.2	26.2	101.7

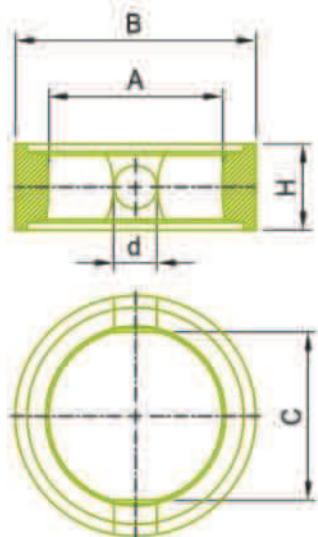
SMS Male part - nut and liner

Size	L mm	L1 mm	L2 mm	H mm
DN25	52	15.5	19	61
DN38	52	16.0	23	64.3
DN51	54	17.0	23	74.3
DN63.5	56	17.0	27	77.6
DN76	60	19.0	27	84.8
DN104	88	19.0	30	101.7

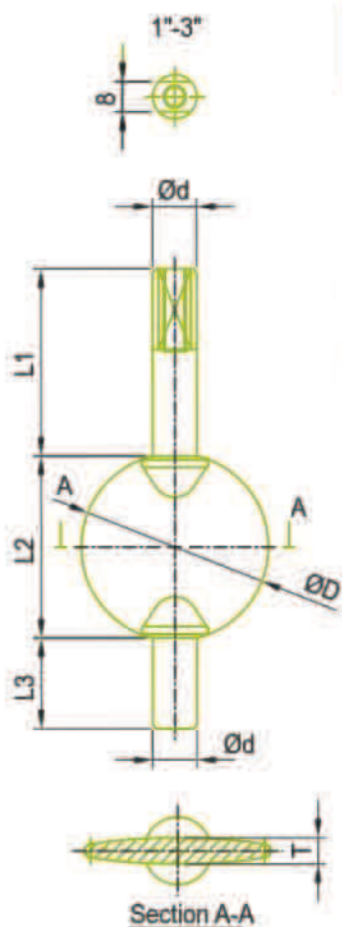
DIN Male part - nut and liner

Size	L mm	L1 mm	L2 mm	H mm
DN25	68	22	29	61
DN34	76	25	32	64.3
DN40	76	26	33	66.7
DN50	80	28	35	74.3
DN70	82	32	40	81.5
DN85	84	37	45	91.6
DN100	88	44	54	101.7

BUTTERFLY VALVE SEAL / DISC 碟閥密封圈 / 碟片

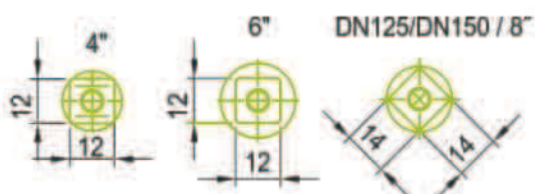


Size	A mm	B mm	C mm	H mm	d mm
1.0"	21	38.1	19.2	23	11
1.5"	34	51.8	33	23	10.8
2.0"	48.5	65.9	45	23	10.8
2.5"	58.5	75.9	57	23	10.8
3.0"	69.5	88.4	67.5	25	10.8
4.0"	98.6	121	95.6	29	15.2
6.0"	144.5	172	139.5	31.5	19.2
8.0"	195.4	220	192	29.3	20
DN40	37.4	54.9	36	23	10.8
DN85	79	99.5	74	28.9	15.2
DN125	124	150.5	123	30.8	17



SIZE	PART NUMBER				
	EPDM	SILICON	SILICON (朱紅)	SILICON (灰)	VITON
1.0"	760100-0612100	760100-0613100	760100-0614100	760100-0615100	760100-0611100
1.5"	760100-0612140	760100-0613140	760100-0614140	760100-0615140	760100-0611140
2.0"	760100-0612200	760100-0613200	760100-0614200	760100-0615200	760100-0611200
2.5"	760100-0612240	760100-0613240	760100-0614240	760100-0615240	760100-0611240
3.0"	760100-0612300	760100-0613300	760100-0614300	760100-0615300	760100-0611300
4.0"	760100-0612400	760100-0613400	760100-0614400	760100-0615400	760100-0611400
6.0"	760100-0612600	760100-0613600	760100-0614600	760100-0615600	760100-0611600
8.0"	760100-0612800	760100-0613800	760100-0614800	760100-0615800	760100-0611800
DN40	760100-0618140	760100-0617140	760100-0621140	760100-0619140	760100-0620140
DN85	760100-0618NE0	760100-0617NE0	760100-0621NE0	760100-0619NE0	760100-0620NE0
DN125	760100-0618500	760100-0617500	760100-0621500	760100-0619500	760100-0620500

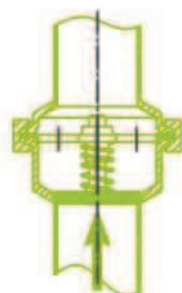
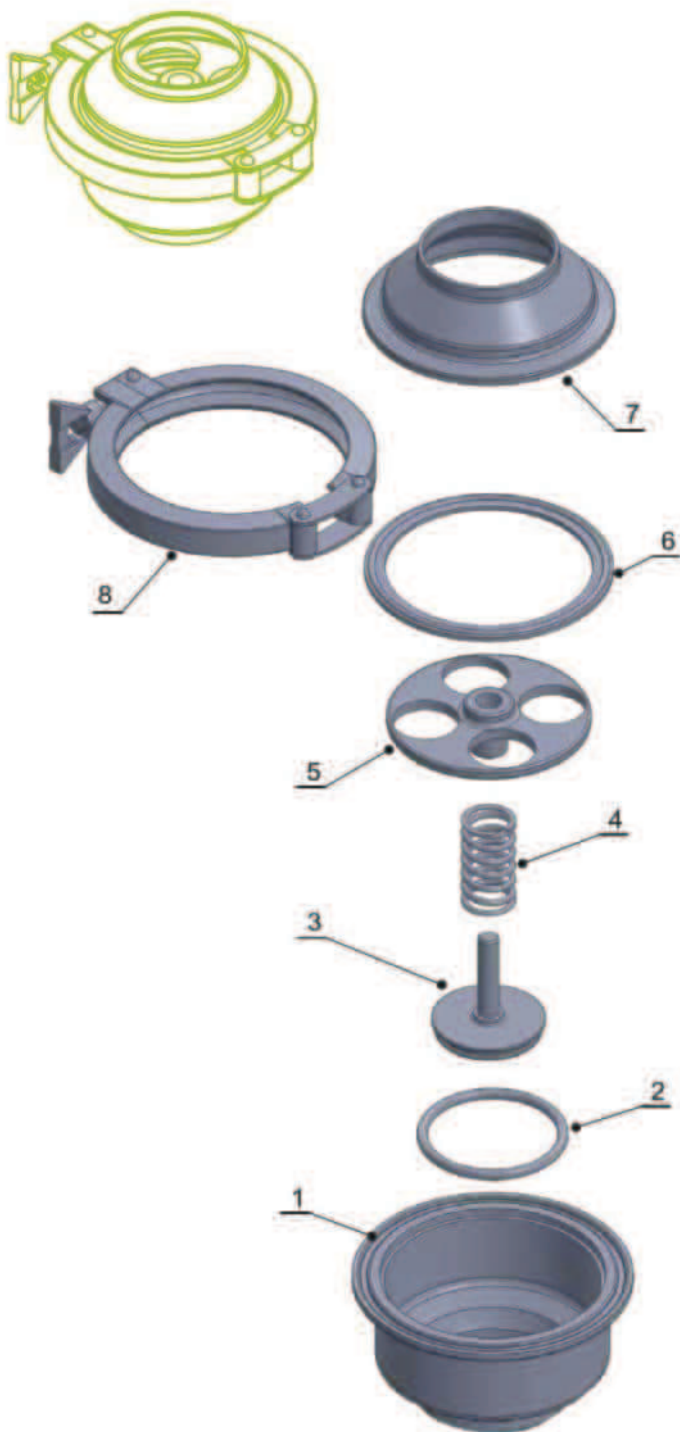
Size	ØD mm	Ød mm	L1 mm	L2 mm	L3 mm	T mm
1.0"	22.5	11.8	51.5	19	26	4.5
DN34	32.5	11.8	48.5	29.5	22.5	6.2
1.5"	36	11.8	47.3	33.9	21.8	6.2
DN40	39	11.8	48.1	37.2	22.7	6
2.0"	50	11.8	50	48.6	24.3	7
2.5"	60	11.8	48.2	58.8	23	8.3
DN70	64.5	11.8	49.8	63.4	27.8	8
3.0"	70.5	11.8	50	69.5	23.5	8.5
DN85	79.6	16	52.9	77.4	29.4	11.5
4.0"	99.6	16	52.9	97.7	29.1	12
DN125	125	17.5	54	124.4	36	18
6.0"	144.5	19.7	62	143.1	38.5	16
DN150	150	17.5	56.3	149.7	40.3	18
8.0"	195.5	19.9	61.6	193.7	38	8



CHECK VALVE



CHECK VALVE 逆止閥



Flow direction

Fig.3.
Show the optimal
built-in situation.

Technical data

- Required differential pressure for opening the valve only fitted in a vertical pipe, as shown in fig.3, is approx. 6kpa(0.06bar).
- Max. product pressure: 1000kpa(10bar).
- Max. temperature: 95°C(EPDM).
- Min. temperature: -10°C.

Materials:

- Steel parts: Stainless steel AISI 304 or acid-resistant steel AISI 316L.
- Seal ring: EPDM/Silicon/Viton rubber.
- Finish: Semi bright.

Connections

- The valve is available with welding ends for tubes according to 3A,SMS,BS,DIN 11850.

Options

- Material grades

Ordering

- Please state the following when ordering:
 - Size.
 - Steel grade, AISI 304 or AISI 316L.
 - Rubber grade if not EPDM.

NO	PART NAME	QTY	MATERIAL
1	D-Body	1	SS304/SS316L
2	O-Ring	1	EPDM/Silicon/Viton
3	Disc	1	SS304/SS316L
4	Spring	1	SS304/SS316L
5	Plate	1	SS304/SS316L
6	Gasket	1	EPDM/Silicon/Viton
7	U-Body	1	SS304/SS316L
8	Clamp	1	SS304

Pressure drop/capacity diagram

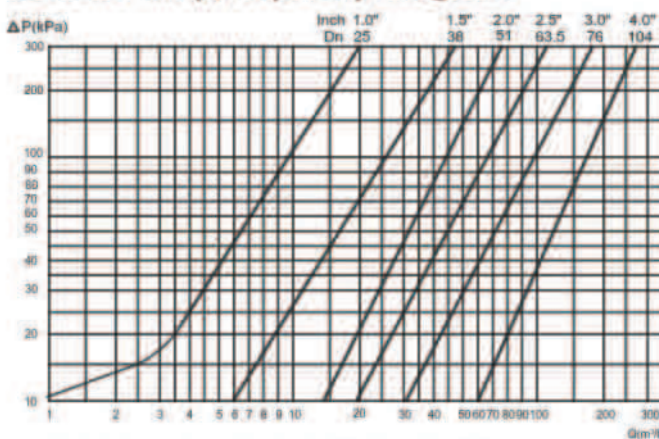
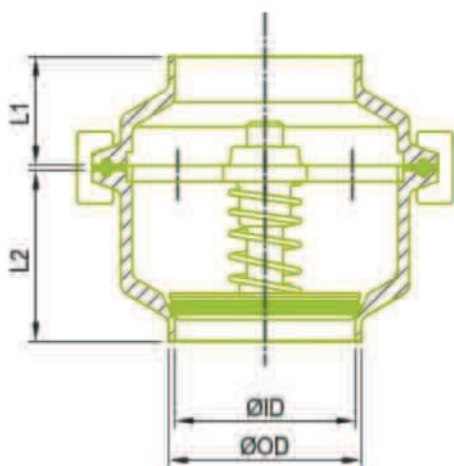


Fig.2 NOTE: For the following application: Medium:Water(20°C)

Measurement:In accordance with VDI 2173

CHECK VALVES 逆止閥



Inch Size Check Valve Weld End

Size	ID mm	OD mm	L1 mm	L2 mm	PART NUMBER EPDM
1/2"	9.5	12.7	35	50	1603121-001044/7
3/4"	15.9	19.05	35	50	1603121-001064/7
1.0"	22.2	25.65	23.5	35	1603121-001104/7
1.5"	34.9	38.35	28.5	45	1603121-001144/7
2.0"	47.6	51.05	28.5	45	1603121-001204/7
2.5"	60.3	63.75	28.5	45	1603121-001244/7
3.0"	73	76.45	28.5	45	1603121-001304/7
4.0"	97.6	101.6	42	75	1603121-001404/7

SMS Check Valve Weld End

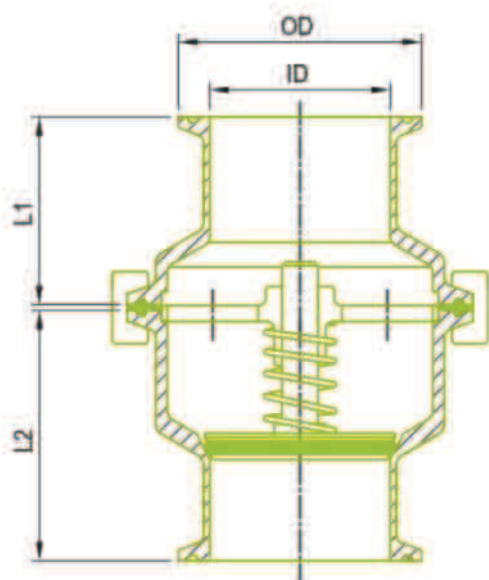
Size	ID mm	OD mm	L1 mm	L2 mm	PART NUMBER EPDM
DN25	22.5	25	23.5	35	1603221-001104/7
DN38	35.5	38	28.5	45	1603221-001N44/7
DN51	48.5	51.05	28.5	45	1603221-001N74/7
DN63.5	60.3	63.5	28.5	45	1603221-001NA4/7
DN76	72.9	76.1	28.5	45	1603221-001ND4/7
DN104	100	104	42	75	1603221-001NG4/7

DIN Check Valve Weld End

Size	ID mm	OD mm	L1 mm	L2 mm	PART NUMBER EPDM
DN15	16	19	30	45	1603321-001044/7
DN20	20	23	30	45	1603321-001064/7
DN25	25	28	23.5	35	1603321-001104/7
DN32	31	34	28.5	45	1603321-001124/7
DN40	37	40	28.5	45	1603321-001144/7
DN50	49	52	28.5	45	1603321-001204/7
DN65	66	70	28.5	45	1603321-001244/7
DN80	81	85	28.5	45	1603321-001304/7
DN100	100	104	42	75	1603321-001404/7

Inch Size Check Valve Clamp End

Size	ID mm	OD mm	L1 mm	L2 mm	PART NUMBER EPDM
1/2"	9.5	25.4	35	50	1603122-001044/7
3/4"	15.9	25.4	35	50	1603122-001064/7
1.0"	22.1	50.5	44.5	56	1603122-001104/7
1.5"	34.8	50.5	49.5	66	1603122-001144/7
2.0"	47.5	64	49.5	66	1603122-001204/7
2.5"	60.2	77.5	49.5	66	1603122-001244/7
3.0"	72.9	91	49.5	66	1603122-001304/7
4.0"	97.4	119	63	96	1603122-001404/7



SIGHT GLASS



SIGHT GLASS 玻璃視窗零件表



NO	PART NAME	QTY	Material
1	Body	2	SS304/SS316L
2	Seal	2	EPDM/Silicon/Viton/PTFE
3	High pressure clean glass	1	Glass
4	Screw bolt	1"~3"=4 4"~6"=6	SS304
5	M6 Nut M8 Nut	1"~3"=8 4"=12 6"=12	SS304
6	M6 Ring M8 Ring	1"~3"=8 4"=12 6"=12	SS304

Glass Composition

Content	SiO ₂	Al ₂ O ₃	Fe ₂ O ₃	B ₂ O ₃	Na ₂ O	K ₂ O
%	80.9	2.3	0.03	12.7	4.0	0.04

Physical Properties

Description	Value
Specific heat (25°) Average(25-400°C)	0.17 cal/g.°C 0.233 cal°C
Thermal Conductivity (25°C) (100°C)	0.0026 cal/cm.sec°C 0.0030 cal/cm.sec°C
Linear coefficient of Expansion	32.5-10 ⁻⁷ /°C
Density	2.23g/cm ³

Mechanical strength of internal pressure of SIMAX borosilicate glass tubes

Size	1"	1.5"	2"	2.5"	3"	4"
Max.Pressure (Bar)	13	10	12	9	8	6

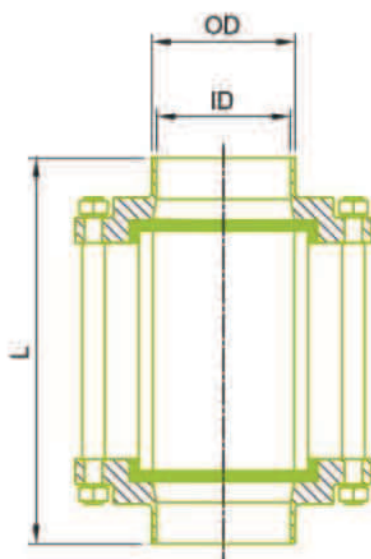
Material

- Steel parts: Stainless steel
SS304 or SS316L
- Screw blot: Stainless steel SS304.
- Seal rings: EPDM rubber or Silicon, Viton, PTFE.
- Finish: Semi bright.

Ordering

- Please state the following items when ordering:
 - Size.
 - Steel grade, AISI 304 or AISI 316L.
 - Rubber grade if not EPDM.
 - Sight glasses are designed for vertical installation to be self-draining.

SIGHT GLASS 玻璃視窗



3A Sight Glass Weld End

Size	ID mm	OD mm	L mm	PART NUMBER EPDM
1/2"	9.5	12.7	128.5	1602121-002044/7
3/4"	15.8	19.05	128.5	1602121-002064/7
1.0"	22.1	25.4	128.5	1602121-002104/7
1.5"	34.8	38.1	128.5	1602121-002144/7
2.0"	47.5	50.8	136.5	1602121-002204/7
2.5"	60.2	63.5	136.5	1602121-002244/7
3.0"	72.9	76.2	136.5	1602121-002304/7
4.0"	97.5	101.6	148.5	1602121-002404/7
6.0"	146.4	152.4	220	1602121-002604/7

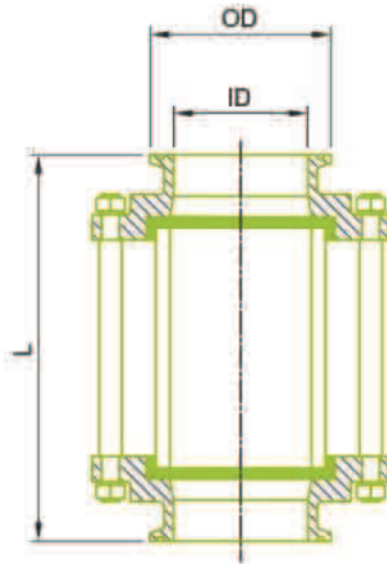
SMS Sight Glass Weld End

Size	ID mm	OD mm	L mm	PART NUMBER EPDM
DN25	22.5	25	128.5	1602221-002104/7
DN38	35.4	38	128.5	1602221-002N44/7
DN51	48	51	136.5	1602221-002N74/7
DN63.5	60.5	63.5	136.5	1602221-002NA4/7
DN76	72.9	76.1	136.5	1602221-002ND4/7
DN104	100	104	148.5	1602221-002NG4/7

DIN Sight Glass Weld End

Size	ID mm	OD mm	L mm	PART NUMBER EPDM
DN10	10	13	136.5	1602321-002034/7
DN15	16	19	136.5	1602321-002044/7
DN20	20	23	136.5	1602321-002064/7
DN25	25	28	136.5	1602321-002104/7
DN32	31	34	136.5	1602321-002124/7
DN40	37	40	136.5	1602321-002144/7
DN50	49	52	136.5	1602321-002204/7
DN65	66	70	136.5	1602321-002244/7
DN80	81	85	148.5	1602321-002304/7
DN104	100	104	148.5	1602321-002NG4/7

SIGHT GLASS 玻璃視窗



3A Sight Glass Clamp End

Size	ID mm	OD mm	L mm	PART NUMBER EPDM
1/2"	9.5	25.2	136.5	1602122-002044/7
3/4"	15.8	25.2	136.5	1602122-002064/7
1.0"	22.1	50.5	136.5	1602122-002104/7
1.5"	34.8	50.5	136.5	1602122-002144/7
2.0"	47.5	64	136.5	1602122-002204/7
2.5"	60.3	77.5	136.5	1602122-002244/7
3.0"	72.9	91	136.5	1602122-002304/7
4.0"	97.5	119	176.5	1602122-002404/7
6.0"	146.4	166.8	220	1602122-002604/7

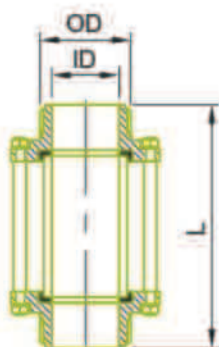
SMS Sight Glass Clamp End

Size	ID mm	OD mm	L mm	PART NUMBER EPDM
DN15	9.7	25.2	136.5	1602222-002044/7
DN20	16	25.2	136.5	1602222-002064/7
DN25	22.5	50.5	136.5	1602222-002104/7
DN38	35.4	50.5	136.5	1602222-002N44/7
DN51	48.5	64	136.5	1602222-002N74/7
DN63.5	60.5	77.5	136.5	1602222-002NA4/7
DN76	72.9	91	136.5	1602222-002ND4/7
DN104	100	119	176.5	1602222-002NG4/7

DIN Sight Glass Clamp End

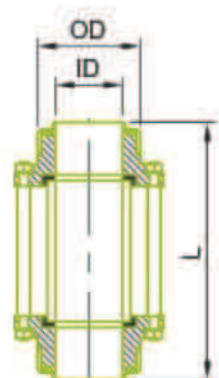
Size	ID mm	OD mm	L mm	PART NUMBER EPDM
DN10	10	34	136.5	1602322-002034/7
DN15	16	34	136.5	1602322-002044/7
DN20	20	34	136.5	1602322-002064/7
DN25	25	50.5	136.5	1602322-002104/7
DN32	31	50.5	136.5	1602322-002124/7
DN40	37	50.5	136.5	1602322-002144/7
DN50	49	64	136.5	1602322-002204/7
DN65	66	91	136.5	1602322-002244/7
DN80	81	106	148.5	1602322-002304/7
DN104	100	119	148.5	1602322-002NG4/7

SIGHT GLASS 牙口玻璃视窗



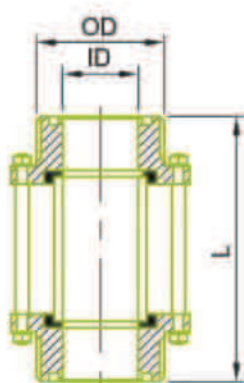
IDF Sight glass Male End

Size	ID mm	OD mm	L mm	PART NUMBER EPDM
15	22.1	37.13*8T ACME	155	1602423-002104/7
1.55	34.8	50.65*8T ACME	155	1602423-002144/7
2.05	47.5	64.16*8T ACME	155	1602423-002204/7
2.55	60.3	77.76*8T ACME	155	1602423-002244/7
35	73	91.19*8T ACME	155	1602423-002304/7
45	97.6	125.9*6T ACME	155	1602423-002404/7



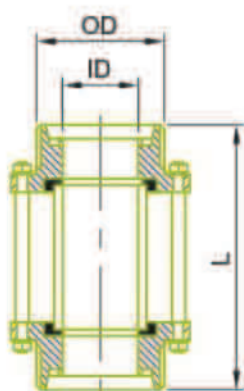
RJT Sight glass Male End

Size	ID mm	OD mm	L mm	PART NUMBER EPDM
1.0"	22.1	45.72*8TPI WHIT	155	1602523-002104/7
1.5"	34.8	58.42*8TPI WHIT	165	1602523-002144/7
2.0"	47.5	72.72*6TPI WHIT	165	1602523-002204/7
2.5"	60.3	85.42*6TPI WHIT	165	1602523-002244/7
3.0"	72.9	98.12*6TPI WHIT	165	1602523-002304/7
4.0"	97.6	123.82*6TPI WHIT	165	1602523-002404/7



SMS Sight glass Male End

Size	ID mm	OD mm	L mm	PART NUMBER EPDM
DN25	22.5	RD 40*1/6	143	1602223-002104/7
DN38	35.4	RD 60*1/6	151	1602223-002N44/7
DN51	48.5	RD 70*1/6	155	1602223-002N74/7
DN63.5	60.2	RD 85*1/6	155	1602223-002NA4/7
DN76	72.1	RD 98*1/6	157	1602223-002ND4/7
DN104	100	RD 125*1/4	163	1602223-002NG4/7



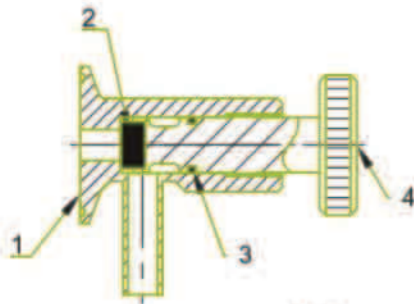
DIN Sight glass Male End

Size	ID mm	OD mm	L mm	PART NUMBER EPDM
DN10	10	RD 28*1/8	143	1602323-002034/7
DN15	16	RD 34*1/8	143	1602323-002044/7
DN20	20	RD 44*1/6	143	1602323-002064/7
DN25	25	RD 52*1/6	143	1602323-002104/7
DN32	31	RD 58*1/6	151	1602323-002124/7
DN40	37	RD 65*1/6	151	1602323-002144/7
DN50	49	RD 78*1/6	155	1602323-002204/7
DN65	66	RD 95*1/6	157	1602323-002244/7
DN80	81	RD 110*1/4	159	1602323-002304/7
DN104	100	RD 130*1/4	175	1602323-002NG4/7

SAMPLE VALVE



SAMPLE VALVE 取樣閥

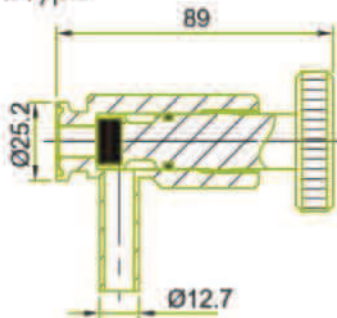


NO	PART NAME	QTY
1	Body	1
2	Seal	1
3	O-Ring	1
4	Screw Shaft	1

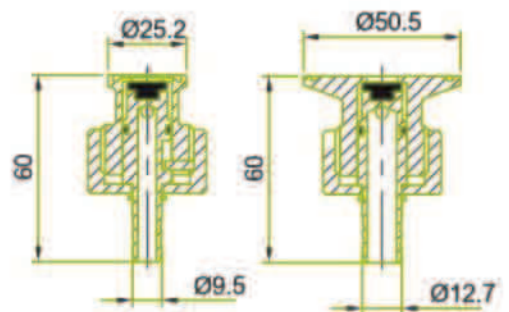
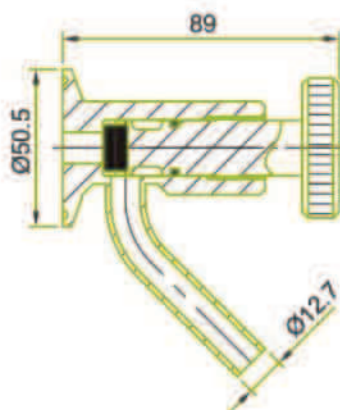
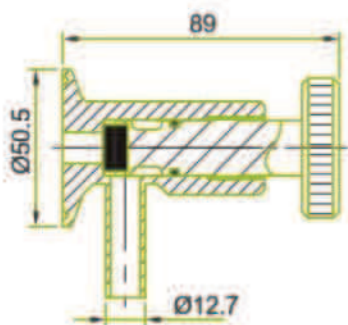
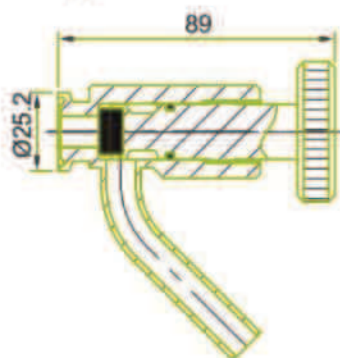
Materials:

- Steel part: Stainless steel
SS304 or SS316L
- Seal: Teflon
- O-Ring: EPDM

L Type

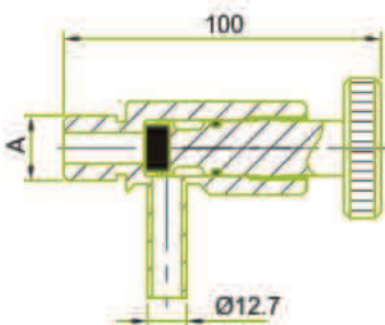


Y Type



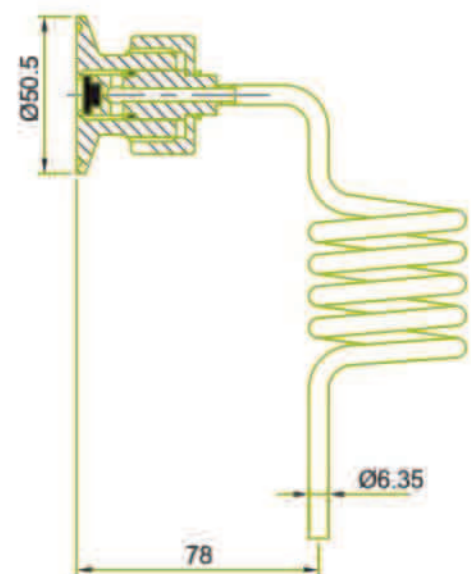
I Type Sample valve

Clamp End Sample valve

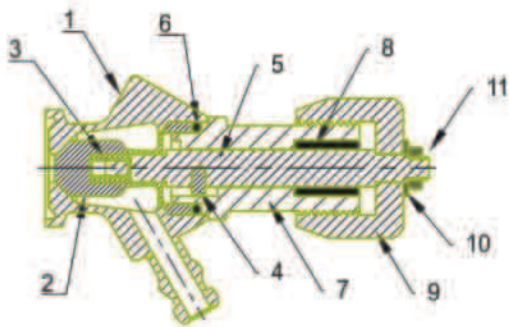


Male End Sample valve

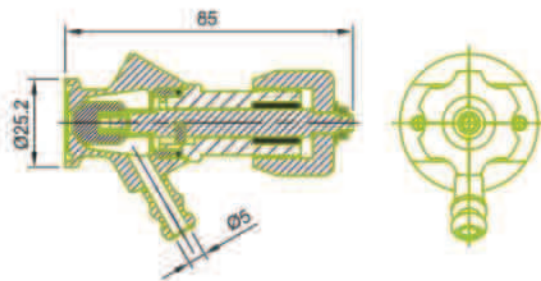
Size	A
1/2	1/2 PF
3/8	NPT 3/8-14
1/4	NPT 1/4-14
3/8	PT 3/8-14
1/4	PT 1/4-14



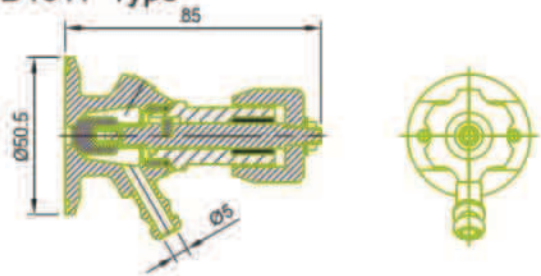
SAMPLE VALVE 取樣閥



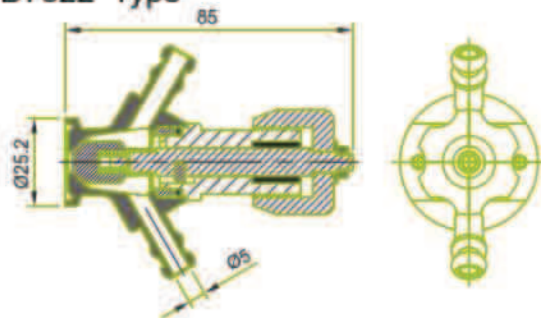
D7511 Type



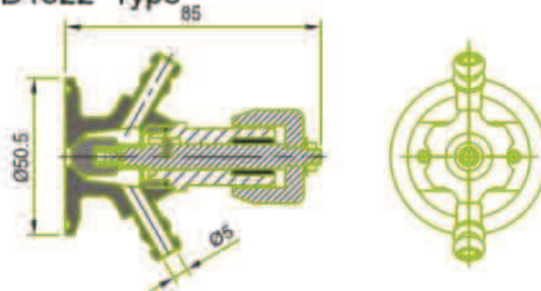
D1511 Type



D7522 Type



D1522 Type



NO	PART NAME	QTY	MATERIAL
1	Body	1	SS304/316L
2	Seal	1	Teflon
3	Screw	1	Cu
4	Pin	1	SS304
5	Stem	1	SS304
6	O-Ring	1	Silicon
7	Shaft	1	SS304
8	Bush	1	Teflon
9	Handle	1	POM
10	Washer	1	SS304
11	Nut	1	SS304

Materials:

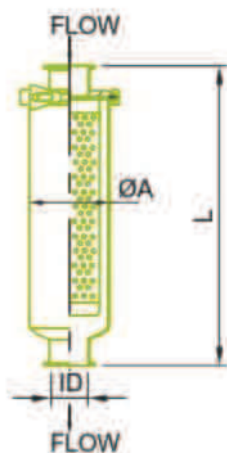
- Steel part: Stainless steel
SS304 or SS316L
- Seal: Teflon
- O-Ring: Silicon

STRAINER

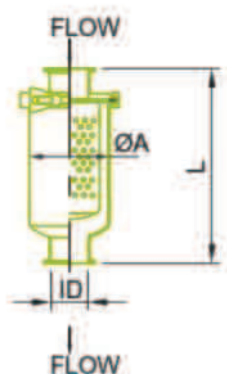


STRAINERS 管式過濾器

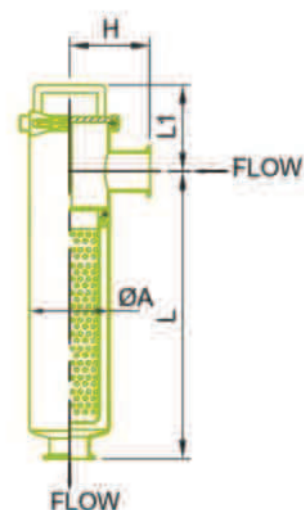
**I-501
Tube Strainers**



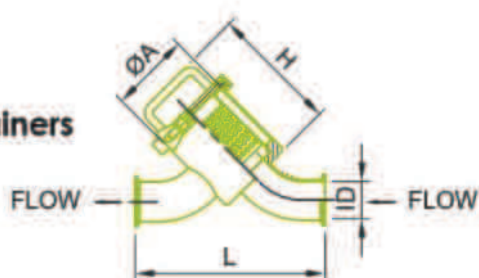
**I-502
Tube Strainers**



**L-501
L-Type Strainers
(側進直出)**



**Y-501
Y-Type Strainers**



Punching (冲孔網)



Wire net (平織網)



Notch wire (疊織網)

- Material: SS304 Or SS316L
- Punching: 1~6mm
- Mesh: 20~400
- P.D.Press(MPa): 0.05~0.2
- Type: Weld/Clamp/Male end

Tube Strainers I-501

Size Inch	ID mm	ØA mm	L mm
1.0"	22.1	101.6	380
1.5"	34.8	101.6	380
2.0"	47.5	101.6	380
2.5"	60.2	139.8	400
3"	72.9	139.8	450
4"	97.6	165.2	600

Tube Strainers I-502

Size Inch	ID mm	ØA mm	L mm
1.0"	22.1	101.6	250
1.5"	34.8	101.6	250
2.0"	47.5	101.6	250

L-Type Strainers L-501

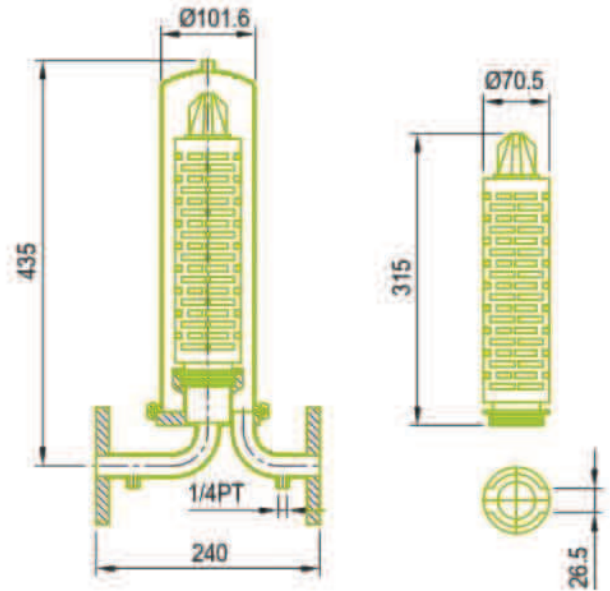
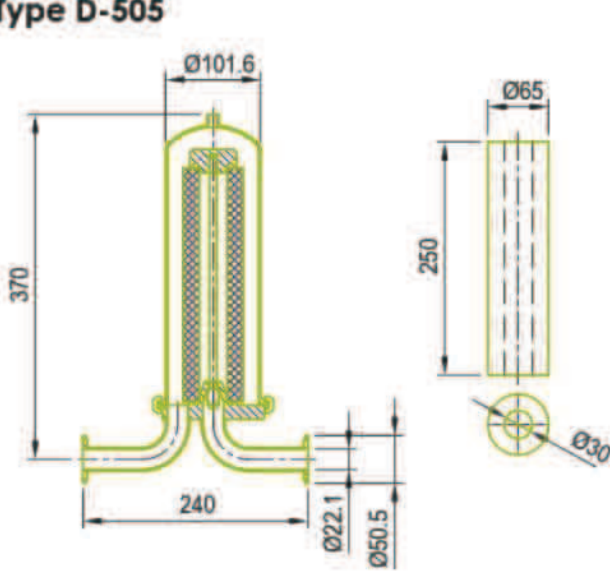
Size Inch	ID mm	ØA mm	L mm	L1 mm	H mm
1.0"	22.1	101.6	354	140	79
1.5"	34.8	101.6	354	140	82
2.0"	47.5	101.6	354	140	82
2.5"	60.2	101.6	300	140	105
3.0"	72.9	101.6	350	140	110
4.0"	97.6	139.8	440	140	155

Y-Type Strainers Y-501

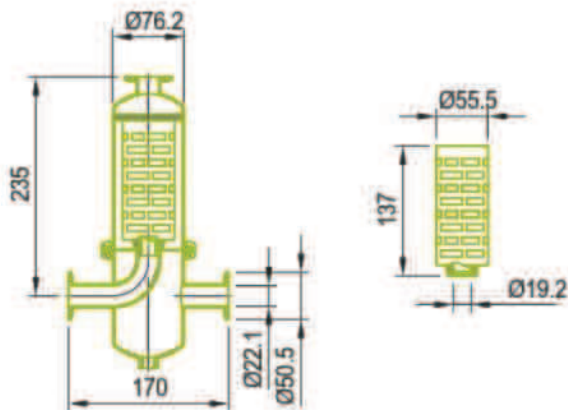
Size Inch	ID mm	ØA mm	H mm	L mm
1.0"	22.1	50.8	85	140
1.5"	34.8	63.5	110	175
2.0"	47.5	76.2	130	225

CARTRIDGE FILTER HOUSING

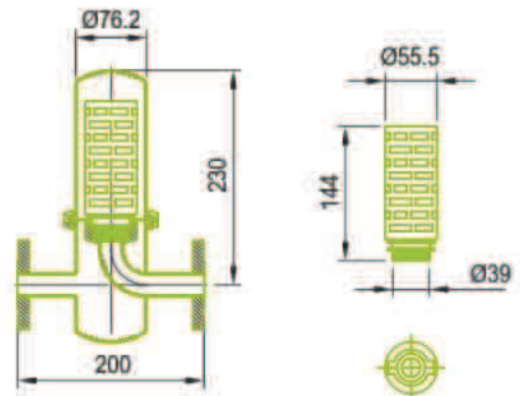
Type D-505



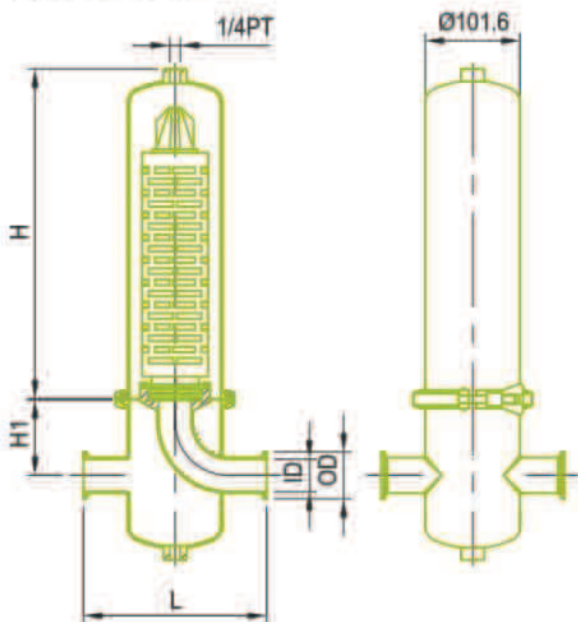
Type D-5043



Type D-5044F



Type D-5044



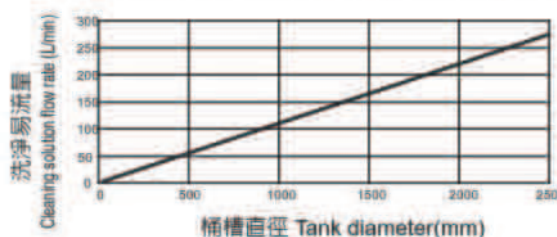
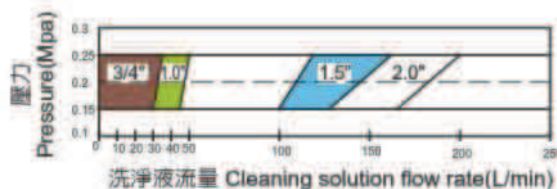
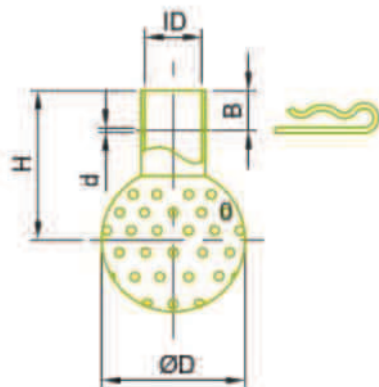
Type D-5044

Size Inch	ID mm	OD mm	H(10") mm	H(20") mm	H1 mm	L mm
1"	22.1	50.5	354	600	76.2	194
1.5"	34.8	50.5	354	600	81	194
2"	47.5	64	354	600	98.5	220

SPRAY BALL



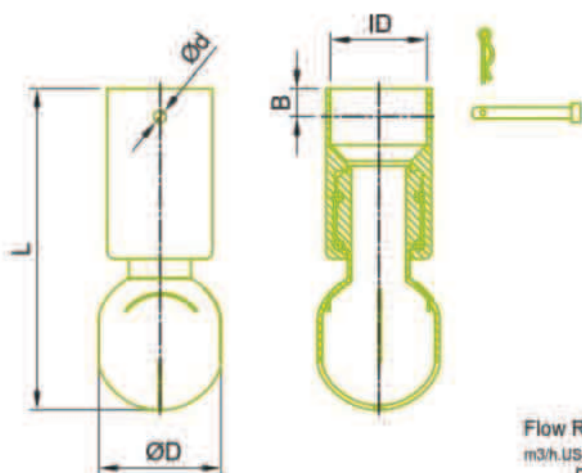
SPRAY BALLS (CIP噴球)



Standard Specification:

- Fluid pressure: 0.2Mpa
- Material: SS316L
- Surface finish: Semi bright

Size Inch	ID mm	B mm	ØD mm	d mm	H mm	孔徑(Ø)	孔數(Q'ty)	最大流量 0.2Mpa
3/4"	19.2	10	40	3	36	1.3	30	35L/Min
1.0"	25.5	17.5	65	3	58	2.5	36	51L/Min
1.5"	38.4	17.5	65	3	52.2	2.5	60	153L/Min
2.0"	51	22.5	90	3	75	2	60	189L/Min

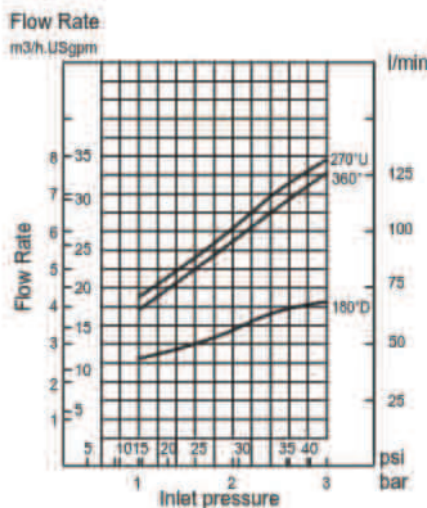


Size Inch	ID mm	B mm	ØD mm	d mm	L mm
1.0"	25.6	11	45.5	6.5	142
1.5"	38.3	14.2	65	6.5	163.5
2.0"	51.2	14.2	65	6.5	163.5

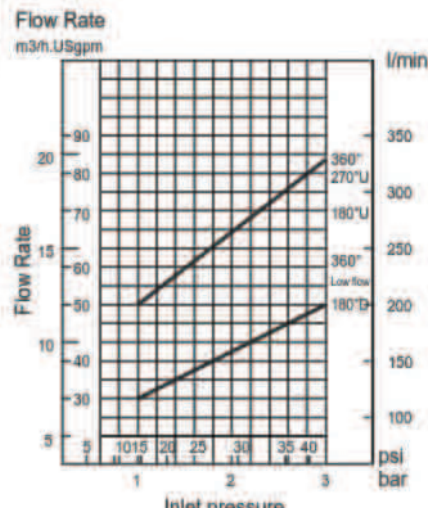
Rotary spray

Technical Data:

- Working pressure: 1~3bar (14.5-44psi)
- Recommended pressure: 2bar (29psi)
- Max. working temperature: 95°C
- Max. ambient temperature: 140°C
- Wetting pattern: Max.3m
- Impact cleaning radius: Max. effective 1.4m



Ø45.5 ball



Ø65 ball

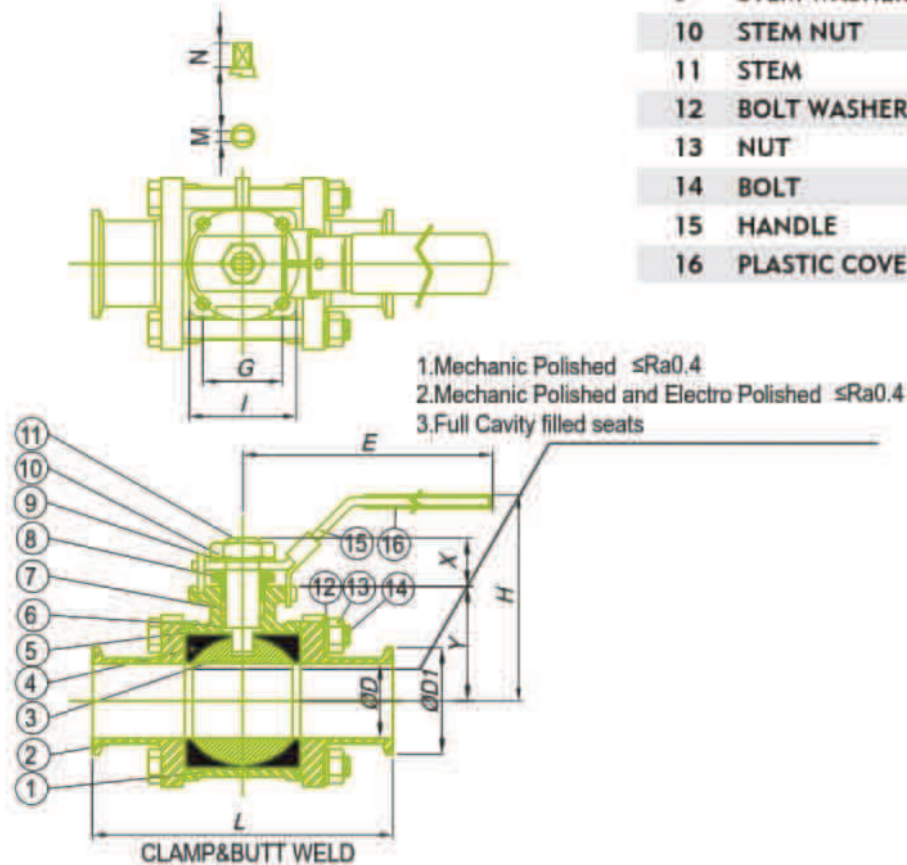
BALL VALVE



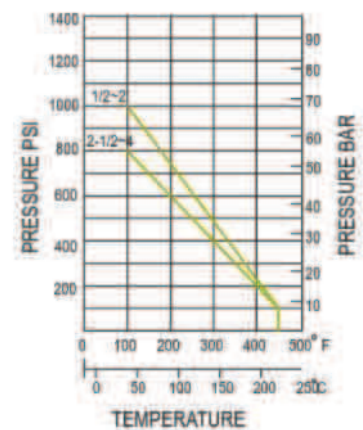
SANITARY-BALL VALVE FOR FOOD AND CHEMICAL USE WITH ISO MOUNT PLATE

衛生級及製藥用手動低平台球閥

NO	PART NAME	QTY	MATERIAL
1	BODY	1	ASTM CF8/CF8M/CF3M
2	CAP	2	ASTM CF8/CF8M/CF3M
3	BALL	1	ASTM CF8/CF8M/CF3M
4	SEAT	2	PTFE/TFM
5	BODY SEAT	2	PTFE
6	THRUST WASHER	1	PTFE
7	STEM PACKING	1	PTFE
8	GLAND NUT	1	AISI 304
9	STEM WASHER	1	AISI 304
10	STEM NUT	1	AISI 304
11	STEM	1	AISI 304/316
12	BOLT WASHER	4,8,12	AISI 304
13	NUT	4,8,12	AISI 304
14	BOLT	4,6	AISI 304
15	HANDLE	1	AISI 304
16	PLASTIC COVER	1	PLASTIC



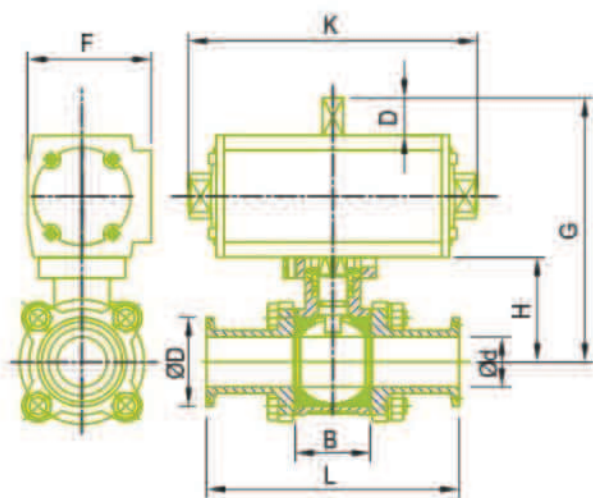
PRESSURE TEMPERATURE RATING



DN	SIZE IN	ISO-5211	ØD _{±0.2}	L _{±1.0}	H _{±3.0}	E _{±3.0}	ØD1	G	I	X	Y	M	N	TORQUE INCH/LSB
15	1/2	F03 36	9.5	89	63	140	25.5	25.5	37	18	29	5	13	50
20	3/4	F03 36	15.9	101	66	140	25.5	25.5	37	19	33	5	13	80
25	1	F04 42	22.2	114	71	140	50.4	29.7	42	19.5	37.5	6.5	14	120
40	1-1/2	F05 50	35.0	140	93	195	50.4	35.4	50	27.5	48.5	8.5	17.5	260
50	2	F05 50	47.6	156	100	195	63.6	35.4	50	25.5	58.5	8.5	17.5	350
65	2-1/2	F07 70	60.2	197	140	262	77.5	49.5	72	37	79.5	12	27.5	410
80	3	F07 70	73.0	229	155	262	90.8	49.5	72	42	83.5	12	27.5	580
100	4	F10 102	97.4	241	180	290	118.5	72.1	95	49.5	110.5	16	35.5	1560

MOUNT ACTUATOR FOR BALL VALVE

氣動高平台衛生級及製藥級球閥



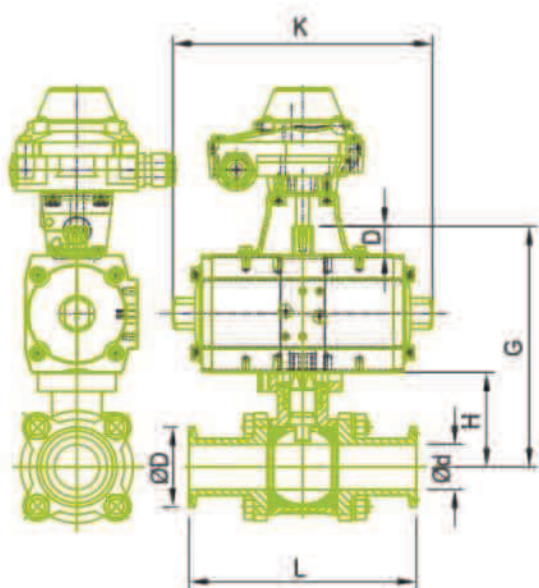
Mount actuator is the direct mount configuration. It can be equipped low & high bracket. The top of ball valves for greater reliability, easy installation and improved cycling life.

Materials:

- ASTM-CF8M A351

Seat:

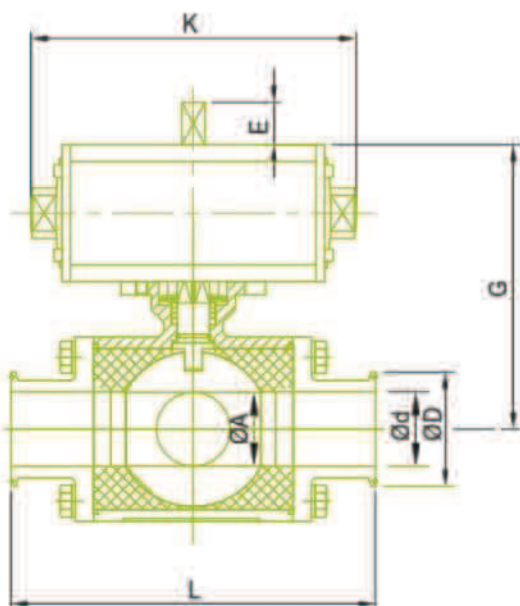
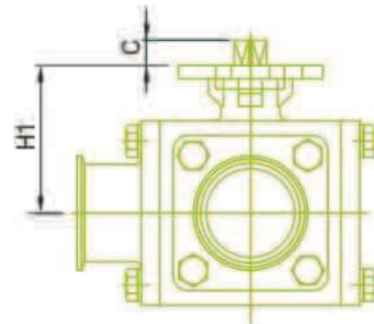
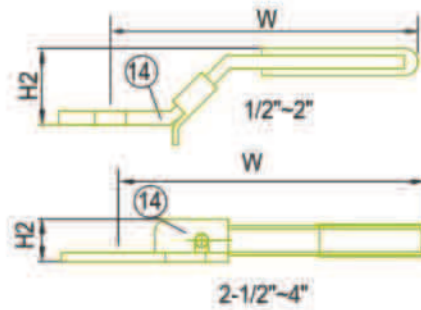
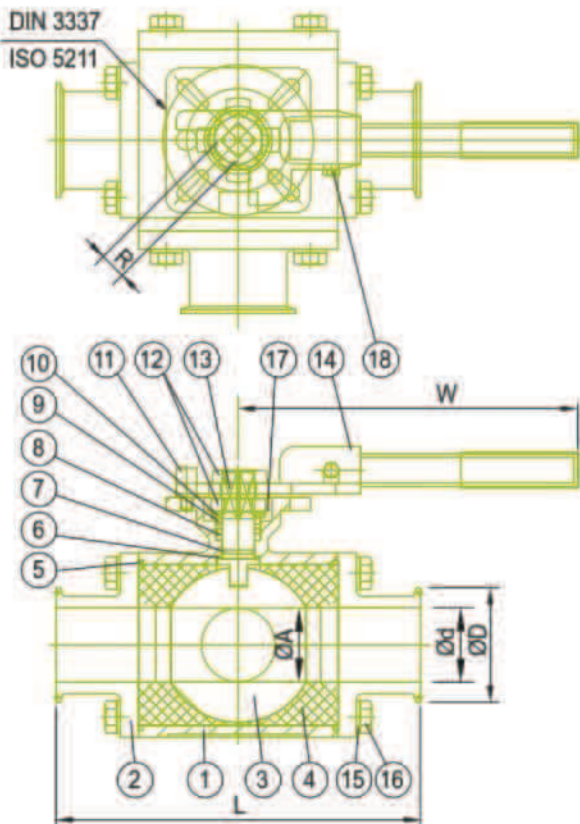
- PTFE/PTFE+15% GF.



BALL VALVE/SERIES 26

Size	DN	Ød mm	ISO-5211	ØD mm	L mm	H mm	Model	D mm	F mm	G mm	K mm	TORQUE INCH/LBS
1/2"	15	9.5	F03/F04	25.4	89	37	DFPB-10	20	50	106	135	50
3/4"	20	15.9	F03/F04	25.4	101	47	DFPB-10	20	50	116	135	75
1"	25	22.2	F04/F05	50.4	114	57.2	DFPB-20	20	66	142	154.6	100
1-1/2"	40	35	F05/F07	50.4	140	78.2	DFPB-45	20	79.5	181	183.6	190
2"	50	47.6	F05/F07	63.9	156	86.2	DFPB-45	20	79.5	189	183.6	240
2-1/2"	65	60.3	F07/F10	77.5	197	109.2	DFPB-80	20	96.5	229	215.2	420
3"	80	73	F07/F10	90.9	229	117.7	DFPB-120	20	120	263.5	224.4	480
4"	100	97.4	F10/F12	118.9	241	141.2	DFPB-170	20	120	287	274.5	1200

SANITARY 3-WAY BALL VALVE (衛生級手動高平台三通球閥)



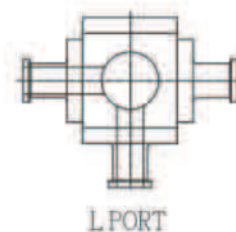
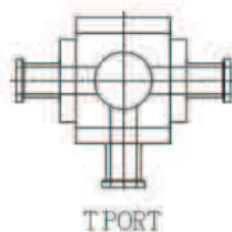
SERIES:Y-4HCS

FOUR PIECE THREE WAY MULTI-PORT 1000 WOG SANITARY BALL VALVE TRI-CLAMP END T/T/T

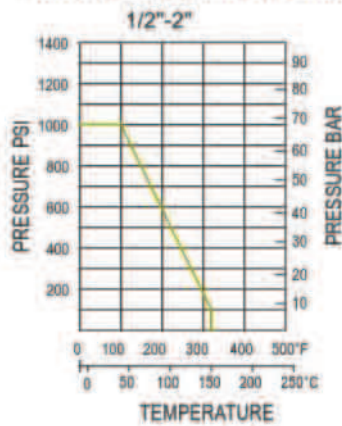
FEATURES:

- BLOW-OUT PROOF STEM/SOLID BALL
- LOCKING HANDLE
- INVESTMENT CAST STAINLESS STEEL CF8M OR CF3M
- BALL AND END POLISHED RATE 20RA
- FULL CAVITY FILLED PTFE SEATS
- BALL:T-PORT AND L-PORT
- LONG-NECK ISO 5211 MOUNTING PAD ENABLES TO INSTALL ACTUATOR DIRECTLY
- SIZE:AVAILABLE FROM 1/2" TO 4"

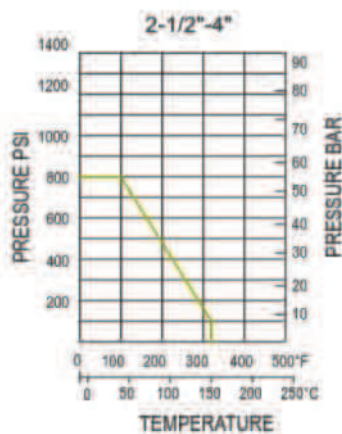
TURN \ PORT	0°	90°	180°	270°
L				
T				



PRESSURE TEMPERATURE RATING



PRESSURE TEMPERATURE RATING

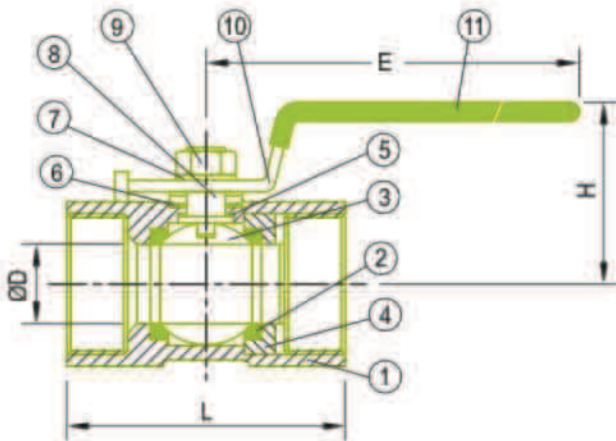


NO	PART NAME	QTY	MATERIAL
1	BODY	1	A351-CF8M / CF3M
2	CAP	4	A351-CF8M / CF3M
3	BALL	1	A351-CF8M / CF3M
4	SEAT	4	PTFE / TFM-1600
5	GASKET	2	PTFE / TFM-1600
6	THRUST WASHER	1	PTFE / TFM-1600
7	O-RING	1	VITON
8	STEM PACKING	1	PTFE / TFM-1600
9	RING	1	AISI 304
10	BEVEL WASHER	2	AISI 304
11	STOP PIN	1	AISI 304
12	NUT	2	AISI 304
13	STEM	1	AISI 316 / AISI 316L
14	HANDLE	1	AISI 304
15	SPRING WASHER	16	AISI 304
16	BOLT	16	AISI 304
17	PREVAILING DEVICE	1	AISI 304
18	NUT	1	AISI 304

SIZE	DN	W	H1	H2	C	Model	E	G	K
1/2"	15	143	44.5	26	9	DFPB-10	20	93.5	135
3/4"	20	143	48.0	26	9	DFPB-10	20	97	135
1"	25	160	59.0	32	11	DFPB-20	20	124	154.6
1-1/2"	40	187	72.0	42	14	DFPB-45	20	155	183.6
2"	50	187	82.0	42	14	DFPB-45	20	165	183.6
2-1/2"	65	400	100.0	37	17	DFPB-80	20	200	215.2
3"	80	400	125.5	37	23	DFPB-120	20	251.5	224.4
4"	100	400	135.5	37	23	DFPB-170	20	261.5	274.5

SIZE	DN	ISO-5211	ØA	Ød	ØD	Ød2	L	R	TORQUE IN/LBS
1/2"	15	F03/F04	9.5	9.5	25.4	12.7	118.0	9	79
3/4"	20	F03/F04	15.8	15.8	25.4	19.1	127.0	9	85
1"	25	F04/F05	22.2	22.2	50.4	25.4	152.6	11	110
1-1/2"	40	F05/F07	35.0	35.0	50.4	38.1	175.0	14	290
2"	50	F05/F07	47.6	47.6	63.9	50.8	190	14	680
2-1/2"	65	F07/F10	60.2	60.2	77.5	63.5	227.7	17	1060
3"	80	F10/F12	73.0	73.0	90.9	76.2	260.6	22	1770
4"	100	F10/F12	97.4	97.4	118.9	101.6	318	22	1900

1-PC & 2-PC BALL VALVE 1片式及2片式手動工業級球閥

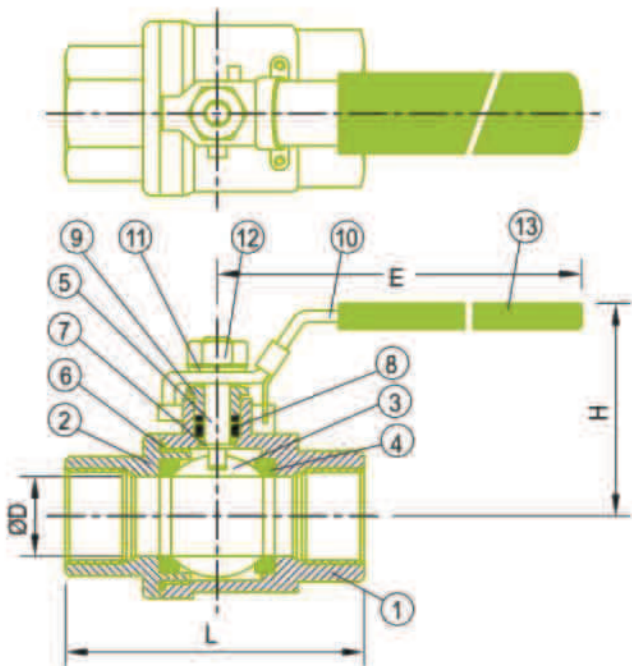


1-PC BALL VALVE

- Pipe thread in accordance with ANSI B2.1, BS 21 1973, DIN 259/2999
- Material : ASTM-CF8M A351
- 800PSI (55 BAR) W.O.G

NO	PART NAME	MATERIAL	QTY
1	Body	316/304	1
2	Seat	PTFE	2
3	Ball	316/304	1
4	Seat Retainer	316/304	1
5	Thrust Washer	TEFLON	1
6	Stem Packing	TEFLON	1
7	Stem Washer	304	1
8	Stem	316	1
9	Stem Nut	304	1
10	Handle	304	1
11	Plastic Cover	PLASTIC	1

Size	D mm	E mm	H mm	L mm	M mm
1/4"	5	60	33	40	NPT or PF PT
3/8"	7	67	36	45	NPT or PF PT
1/2"	10	90	42	58	NPT or PF PT
3/4"	13	90	45	60	NPT or PF PT
1"	16	112	52	72	NPT or PF PT
1 1/4"	20	112	57	80	NPT or PF PT
1 1/2"	25	132	60	85	NPT or PF PT
2"	32	132	66	102	NPT or PF PT



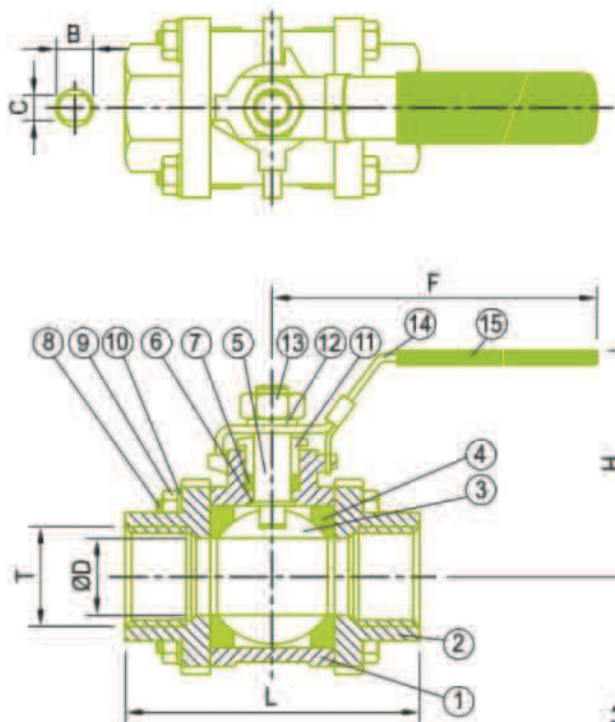
2-PC BALL VALVE

- Pipe thread in accordance with ANSI B2.1, BS 21 1973, DIN 259/2999
- Material : ASTM-CF8M A351
- 1000PSI (69 BAR) W.O.G

NO	PART NAME	MATERIAL	QTY
1	Body	316/WCB	1
2	Cap	316/WCB	1
3	Ball	316	1
4	Seat	PTFE	1
5	Stem	316	1
6	Joint Gasket	PTFE	1
7	Thrust Washer	PTFE	1
8	Stem Packing	PTFE	2
9	Gland Nut	304	1
10	Handle	304	4
11	Washer	304	1
12	Stem Nut	304	1
13	Plastic Cover	PLASTIC	1

Size	D mm	E mm	H mm	L mm	M mm
1/4"	12.5	106	48	52	NPT or PF PT
3/8"	12.5	106	48	52	NPT or PF PT
1/2"	15	106	54	63	NPT or PF PT
3/4"	20	132	61	75	NPT or PF PT
1"	25	152	71	88	NPT or PF PT
1 1/4"	32	152	75	101	NPT or PF PT
1 1/2"	38	193	91	112	NPT or PF PT
2"	50	193	100	124	NPT or PF PT
2 1/2"	65	263	142	164	NPT or PF PT
3"	80	263	142	198	NPT or PF PT

3-PC BALL VALVE 3片式手動牙口式工業級球閥



NO	PART NAME	MATERIAL	QTY
1	Body	316/WCB	1
2	Cap	316/WCB	2
3	Ball	316	1
4	Seat	PTFE	1
5	Stem	316	1
6	Thrust Packing	PTFE	1
7	Stem Packing	PTFE	2
8	Bolt	304	4
9	HEX Nut	304	4
10	Bolt Washer	304	4
11	Gland Nut	304	1
12	Stem Washer	304	1
13	Stem Nut	304	1
14	Handle	304	1
15	Plastic Cover	Plastic	1

3-PC 316 BALL VALVE ISO Mount Plate. lock device

Size	B mm	C mm	D mm	F mm	H mm	L mm	T mm
1/4"	8	5	12.7	33	52	59	NPT, PF, PT
3/8"	8	5	12.7	33	52	59	NPT, PF, PT
1/2"	8	5	15.5	44.5	55	68.5	NPT, PF, PT
3/4"	10	6.5	20	53	62	84	NPT, PF, PT
1"	10	6.5	25.4	57	67	89	NPT, PF, PT
1 1/4"	12	8.5	32	72	82	113	NPT, PF, PT
1 1/2"	12	8.5	38.1	78	92	119	NPT, PF, PT
2"	12	8.5	50.8	95.5	100	137.5	NPT, PF, PT
2 1/2"	19	12	65	110.5	140	162	NPT, PF, PT
3"	19	12	80	125.5	149	184.5	NPT, PF, PT
4"	25	12	100	153.5	184	227	NPT, PF, PT

FERRULE / CLAMP



FERRULE / BLANK 夾接頭 / 盲板

Materials: AISI 304 / AISI 316L



Inch Ferrule(3A)

SIZE	ID	OD	t	D	14WMP		14MMP		14AMP	
					L	Part Number	L	Part Number	L	Part Number
1/2"	9.45	12.75	1.65	25.2	12.7	1100101004	21.5	1100201004	28.6	1100301004
3/4"	15.75	19.05	1.65	25.2	12.7	1100101006	21.5	1100201006	28.6	1100301006
1.0"	22.1	25.4	1.65	50.5	12.7	1100101010	21.5	1100201010	28.6	1100301010
1.5"	34.8	38.1	1.65	50.5	12.7	1100101014	21.5	1100201014	28.6	1100301014
2.0"	47.5	50.8	1.65	64.0	12.7	1100101020	21.5	1100201020	28.6	1100301020
2.5"	60.2	63.5	1.65	77.5	12.7	1100101024	21.5	1100201024	28.6	1100301024
3.0"	72.9	76.2	1.65	91.0	12.7	1100101030	21.5	1100201030	28.6	1100301030
4.0"	97.4	101.6	2.1	119.0	15.9	1100101040	21.5	1100201040	28.6	1100301040
6.0"	146.9	152.5	2.8	166.8	—	—	21.5	1100201060	28.6/38.1	1100301060/1100302060
8.0"	197.7	203.3	2.8	217.7	—	—	21.5	1100201080	28.6/38.1	1100301080/1100302080
10"	247.9	254.1	3.1	268.5	—	—	21.5	11002010A0	28.6/38.1	11003010A0/11003020A0
12"	298.7	304.9	3.1	319.3	—	—	21.5	11002010A2	28.6/38.1	11003010A2/11003020A2

DIN Ferrule

SIZE	ID	OD	D	t	L	Part Number
DN10	9	12	34	1.5	18	1106101303
DN15	15	18	34	1.5	18	1106101304
DN20	19	22	34	1.5	18	1106101306
DN25	25	28	50.5	1.5	21.5	1106102310
DN32	31	34	50.5	1.5	21.5	1106102312
DN40	37	40	50.5	1.5	21.5	1106102314
DN50	49	52	64	1.5	21.5	1106102320
DN65	66	70	91	2	28	1106102224
DN80	81	85	106	2	28	1106102230
DN100	100	104	119	2	28	1106102240
DN125	125	129	155	2	28	1106102250
DN150	150	154	183	2	28	1106102260
DN200	200	204	233.5	2	28	1106102280

ISO Ferrule

DN	ID	OD	D	t	L	Part Number	L	Part Number
8	10.3	13.5	34	1.6	21.5	1105102002	28.6	1105102102
10	14	17.5	34	1.75	21.5	1105102003	28.6	1105102103
15	18.1	21.6	34	1.75	21.5	1105102004	28.6	1105102104
20	23.7	26.9	50.5	1.6	21.5	1105102006	28.6	1105102106
25	30.5	33.7	50.5	1.6	21.5	1105102010	28.6	1105102110
32	39.2	42.4	50.5	1.6	21.5	1105102012	28.6	1105102112
40	45.1	48.3	64	1.6	21.5	1105102014	28.6	1105102114
50	56.3	60.3	77.5	2	21.5	1105102020	28.6	1105102120
65	72.1	76.1	91	2	21.5	1105102024	28.6	1105102124
80	84.9	88.9	106	2	21.5	1105102030	28.6	1105102130
100	109.1	114.3	130	2.6	21.5	1105102040	28.6	1105102140
125	133.7	139.7	155	3	—	—	28.6	1105102150
150	162.3	168.3	183	3	—	—	28.6	1105102160
200	211.1	219.1	233.5	4	—	—	28.6	1105102180

IDF Ferrule

SIZE	ID	OD	D	t	L	Part Number
15	23	25.4	50.5	1.2	21.5	1108102010
1.5S	35.7	38.1	50.5	1.2	21.5	1108102014
25	47.8	50.8	64.0	1.5	21.5	1108102020
2.5S	59.5	63.5	77.5	2.0	21.5	1108102024
35	72.3	76.3	91.0	2.0	21.5	1108102030
45	97.6	101.6	119.0	2	21.5	1108102040



Blank 3A-16AMP

SIZE	A	T	Part Number
1/2"-3/4"	25.0	4.8	1100404006
1-1.5"	50.5	6.4	1100401014
2.0"	64.0	6.4	1100401020
2.5"	77.5	6.4	1100401024
3.0"	91.0	6.4	1100401030
4.0"	119.0	7.9	1100402040
6.0"	166.9	11.1	1100403060
8.0"	217.7	11.1	1100403080
10"	268.5	11.1	11004030A0
12"	319.3	11.1	11004030A2

Blank DIN-16AMP

SIZE	A	T	Part Number
DN10-20	34	6.4	1106201006
DN25-40	50.5	6.4	1106201014
DN50	64	6.4	1106201020
DN65	91	6.4	1106201024
DN80	106	6.4	1106201030
DN100	119	7.9	1106201040
DN125	155	11.1	1106201050
DN150	183	11.1	1106201060
DN200	233.5	11.1	1106201080

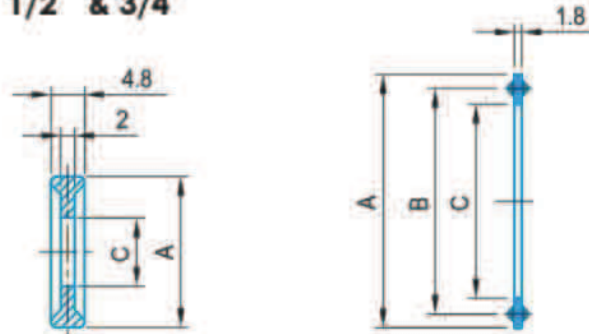
Blank ISO-16AMP

SIZE	A	T	Part Number
DN20-32	50.5	6.4	1105201012
DN40	64	6.4	1105201014
DN50	77.5	6.4	1105201020
DN65	91	6.4	1105201024
DN80	106	6.4	1105201030
DN100	130	7.9	1105201040
DN125	155	7.9	1105201050
DN150	183	11.1	1105201060
DN200	233.5	11.1	1105201080

FERRULE GASKET 夾接環密封圈

Temperature range:
 -10° to +95°C (EPDM)
 -10° to +225°C (Silicon)
 -10° to +200°C (Viton)
 -20° to +120°C (PTFE)

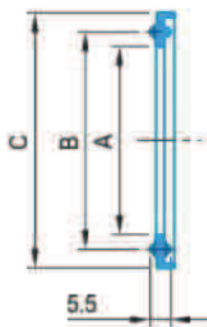
1/2" & 3/4"



Plain Type 13PG

Size	A	B	C	Part Number			
				EPDM	Silicon	Viton	PTFE
1/2"	21.8	/	9.9	11110010040	11110020040	11110030040	11110040040
3/4"	21.8	/	16.3	11110010060	11110020060	11110030060	11110040060
1.0"	50.0	43.5	22.7	11110010100	11110020100	11110030100	11110040100
1.5"	50.0	43.5	35.9	11110010140	11110020140	11110030140	11110040140
2.0"	63.5	56.5	48.6	11110010200	11110020200	11110030200	11110040200
2.5"	76.2	70.5	61.3	11110010240	11110020240	11110030240	11110040240
3.0"	88.9	83.5	74.0	11110010300	11110020300	11110030300	11110040300
4.0"	118.0	110.0	98.6	11110010400	11110020400	11110030400	11110040400
6.0"	165.0	156.4	147.8	11110010600	11110020600	11110030600	11110040600
8.0"	216.0	207.2	196.6	11110010800	11110020800	11110030800	11110040800

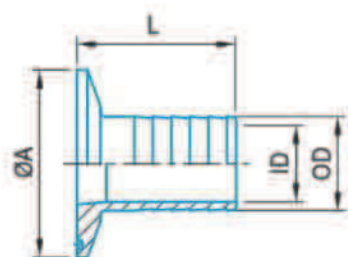
Flange Type 13FG



Size	A	B	C	Part Number		
				EPDM	Silicon	Viton
1"	22.8	43.5	52.7	11120010100	11120020100	11120030100
1.5"	35.8	43.5	52.7	11120010140	11120020140	11120030140
2"	48.8	56.5	66.2	11120010200	11120020200	11120030200
2.5"	60.5	70.5	79.7	11120010240	11120020240	11120030240
3"	73.1	83.5	93.2	11120010300	11120020300	11120030300
4"	97.8	110.0	121.2	11120010400	11120020400	11120030400
6"	148	156.4	169.1	11120010600	11120020600	11120030600
10"	249	258	270.7	11120010A00	11120020A00	11120030A00
12"	300	308.8	321.5	11120010A20	11120020A20	11120030A20

FERRULE ADAPTER 夾接轉接頭

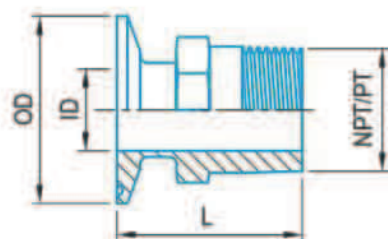
Materials: AISI 304 / AISI 316L



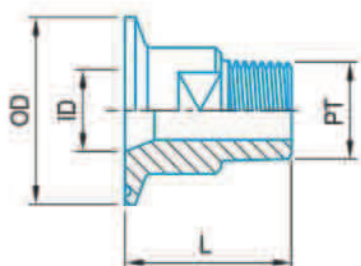
14MPHR Hose Adapter

Size	ID	OD	øA	L	Part Number
1/2"	9.5	12.7	25.2	38.1	1100601004
3/4"	15.8	19.05	25.2	38.1	1100601006
1.0"	22.1	25.4	50.5	43	1100601010
1.5"	34.8	38.1	50.5	43	1100601014
2.0"	47.5	50.8	64	59	1100601020
2.5"	60.2	63.5	77.5	60	1100601024
3.0"	72	76.2	91	79	1100601030
4.0"	97.6	101.6	119	87	1100601040

21MP Clamp*Male

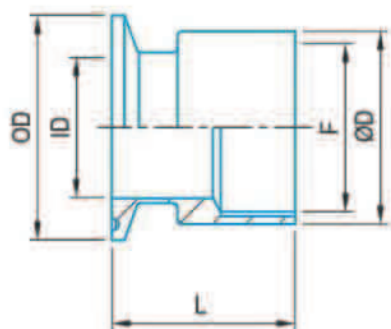


Size	ID	OD	L	NPT	Part Number		PT	Part Number
					Hex.	Flat		
1/2" x 1/2"	9.5	25.2	45	1/2"	1145001004	1145101004	1/2"	1145002004
1/2" x 3/4"	15.8	25.2	41.3	3/4"	114500107D	114510107D	3/4"	114500207D
3/4" x 1/2"	15.8	25.2	45	1/2"	11450010D7	11451010D7	1/2"	11450020D7
3/4" x 3/4"	15.8	25.2	45	3/4"	1145001006	1145101006	3/4"	1145002006
1" x 1/2"	9.5	50.5	40	1/2"	11450010E4	11451010E4	1/2"	11450020E4
1" x 3/4"	15.8	50.5	45	3/4"	11450010E5	11451010E5	3/4"	11450020E5
1" x 1"	22.1	50.5	50	1"	1145001010	1145101010	1"	1145002010
1" x 1-1/2"	22.1	50.5	50	1-1/2"	114500108E	114510108E	1-1/2"	114500208E
1" x 2"	22.1	50.5	55	2"	114500105F	114510105F	2"	114500205F
1-1/2" x 3/4"	15.8	50.5	45	3/4"	11450010E7	11451010E7	3/4"	11450020E7
1-1/2" x 1"	22.1	50.5	50	1"	11450010E8	11451010E8	1"	11450020E8
1-1/2" x 1-1/2"	34.8	50.5	50	1-1/2"	1145001014	1145101014	1-1/2"	1145002014
1-1/2" x 2"	34.8	50.5	55	2"	114500106F	114510106F	2"	114500206F
2" x 1/2"	9.5	64	40	1/2"	11450010F3	11451010F3	1/2"	11450020F3
2" x 3/4"	15.8	64	50	3/4"	11450010F4	11451010F4	3/4"	11450020F4
2" x 1"	22.1	64	50	1"	11450010F5	11451010F5	1"	11450020F5
2" x 1-1/2"	34.8	64	50	1-1/2"	11450010F6	11451010F6	1-1/2"	11450020F6
2" x 2"	47.5	64	55	2"	1145001020	1145101020	2"	1145002020
2-1/2" x 1-1/2"	34.8	77.5	50	1-1/2"	11450010G4	11451010G4	1-1/2"	11450020G4
2-1/2" x 2"	47.5	77.5	55	2"	11450010G5	11451010G5	2"	11450020G5
2-1/2" x 2-1/2"	60.2	77.5	60	2-1/2"	1145001024	1145101024	2-1/2"	1145002024
3" x 3"	73	91	70	3"	1145001030	1145101030	3"	1145002030
4" x 4"	97.6	119	75	4"	1145001040	1145101040	4"	1145002040



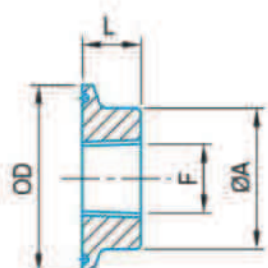
22MP Clamp*Female

Size	ID	OD	ØD	L	F	Part Number
1.0"	22.1	50.5	50	39	1.0"-11.5	1145301010
1.5"	34.8	50.5	55	39	1.5"-11.5	1145301014
2.0"	47.5	64	65	39	2.0"-11.5	1145301020
2.5"	60.2	77.5	85	50	2.5"-8	1145301024
3.0"	72.9	91	95	50	3.0"-8	1145301030
4.0"	97.4	119	120	52	4.0"-8	1145301040



23BMP Cap Thermometer

Size	OD	øA	F	L	Part Number
1.0"	50.5	25.4	1/2"-14	15.8	1146001010
1.5"	50.5	38.1	3/4"-14	15.8	1146001014
2.0"	64	50.8	3/4"-14	15.8	1146001020
2.5"	77.5	63.5	3/4"-14	15.8	1146001024
3.0"	91	76.2	3/4"-14	15.8	1146001030
4.0"	119	101.6	3/4"-14	15.8	1146001040

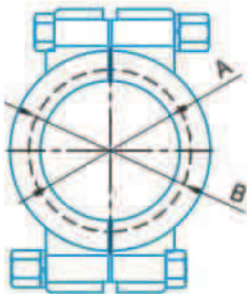
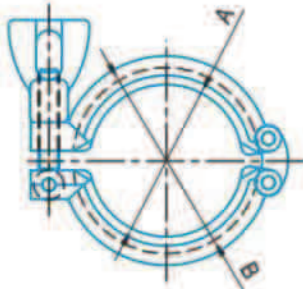
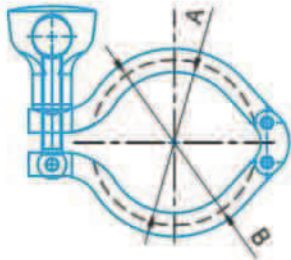


CLAMP 管束

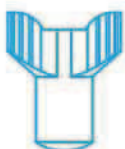
Materials: 304



Single pin



Wing-Nut For Clamp



13MHH-11
Part Number
1120901000



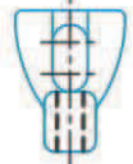
13MHH-12
Part Number
1120902000



13MHH-13
Part Number
1120903000



13MHH-14
Part Number
1120904000



13SP-2
Part Number
1120905000

13MHH Heavy Duty Single Pin Clamp

Size	A	B	Part Number
1/2" - 3/4"	20	28	1120001006
A37	27.8	37	11200010A7
1.5"	44.4	53.6	1120001014
2.0"	57.8	67	1120001020
2.5"	71.4	80.6	1120001024
3.0"	84	94.2	1120001030
4.0"	110	122.2	1120001040
6.0"	155.4	170.4	1120001060
8.0"	205	220	1120001080
10"	258	272.7	11200010A0
12"	310	323.5	11200010A2

13MHHM Heavy Duty Double Pin Clamp

Size	A	B	Part Number
1.5"	43.6	53.6	1120101014
2.0"	57	67	1120101020
2.5"	70.6	80.6	1120101024
3.0"	84	94	1120101030
4.0"	112	122	1120101040
6.0"	155	170	1120101060
8.0"	205	220.8	1120101080

13SF Heavy Duty Double Pin Clamp

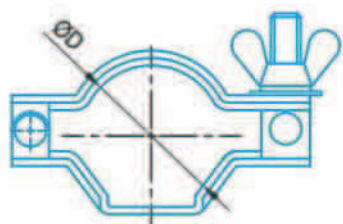
Size	A	B	Part Number
1.5"	45	58.6	1120201014
2.0"	59	72	1120201020
2.5"	67	84	1120201024
3.0"	85	98	1120201030
4.0"	114	127	1120201040

13MHP High Pressure Clamp

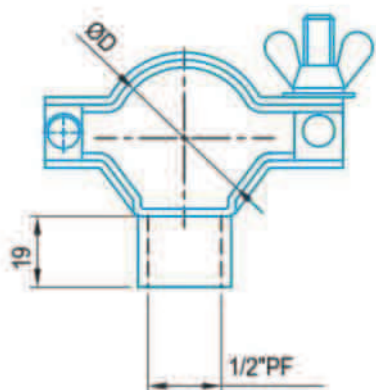
Size	A	B	Part Number
1/2"-3/4"	20	28	1120301006
1.5"	43.3	52	1120301014
2.0"	56.4	65.5	1120301020
2.5"	69.5	79	1120301024
3.0"	77.5	92.5	1120301030
4.0"	109	120.5	1120301040
6.0"	158	170	1120301060
8.0"	222.5	237.5	1120301080

TUBING HANGER 管固定夾

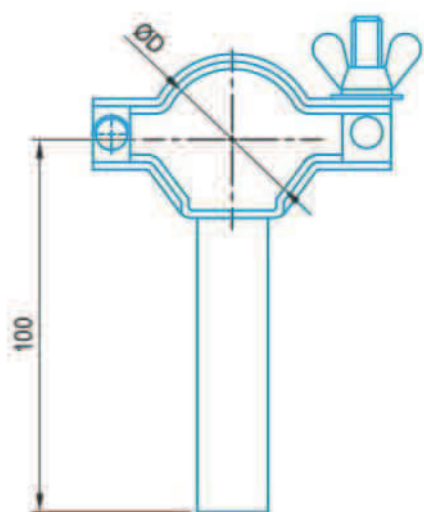
Materials: 304



TH-A



TH-B



TH-C

TH-A

Size	ØD	Part Number
1.0"	25.4	1122001010
1.5"	38.1	1122001014
2.0"	50.8	1122001020
2.5"	63.5	1122001024
3.0"	76.2	1122001030
4.0"	101.6	1122001040

TH-B

Size	ØD	Part Number
1.0"	25.4	1122002010
1.5"	38.1	1122002014
2.0"	50.8	1122002020
2.5"	63.5	1122002024
3.0"	76.2	1122002030
4.0"	101.6	1122002040

TH-C

Size	ØD	Part Number
1.0"	25.4	1122004010
1.5"	38.1	1122004014
2.0"	50.8	1122004020
2.5"	63.5	1122004024
3.0"	76.2	1122004030
4.0"	101.6	1122004040

SANITARY FITTING
BEND / TEE / REDUCER / CROSS



SANITARY TUBE

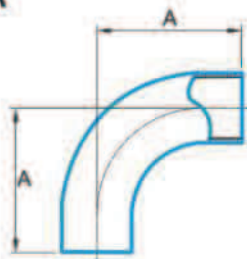
Materials: AISI 304 / AISI 316L

Tube ASTM A-270
3A

Nominal Size		Tube Wall Thickness		Part Number
inch	mm.	inch	mm.	
1/2	12.70	0.065	1.65	3130416600
3/4	19.05	0.065	1.65	3130616600
1	25.40	0.065	1.65	3131016600
1 1/2	38.10	0.065	1.65	3131416600
2	50.80	0.065	1.65	3132016600
2 1/2	63.50	0.065	1.65	3132416600
3	76.20	0.065	1.65	3133016600
4	101.60	0.083	2.11	3134021600
6	152.40	0.109	2.77	3136027600

2S

90° Long Tube Bend
1.5D
3A

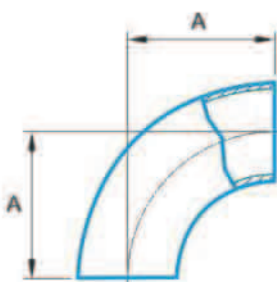


Nominal Size		A		Part Number
inch	mm.	inch	mm.	
1/2	12.70	3.000	76.2	1150101004
3/4	19.05	3.000	76.2	1150101006
1	25.40	2.063	52.4	1150101010
1 1/2	38.10	2.938	74.6	1150101014
2	50.80	4.063	103.2	1150101020
2 1/2	63.50	5.188	131.8	1150101024
3	76.20	6.312	160.3	1150101030
4	101.60	8.313	211.2	1150101040
6	152.40	12.460	316.5	1150101060

All sizes of clamp end also available

2WCL

90° Short Tube Bend
1.5D
3A

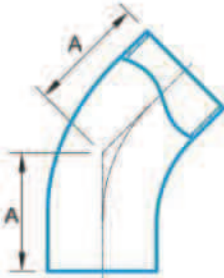


Nominal Size		A		Part Number
inch	mm.	inch	mm.	
1/2	12.70	1.125	28.6	1150201004
3/4	19.05	1.125	28.6	1150201006
1	25.40	1.500	38.1	1150201010
1 1/2	38.10	2.250	57.2	1150201014
2	50.80	3.000	76.2	1150201020
2 1/2	63.50	3.750	95.3	1150201024
3	76.20	4.500	114.3	1150201030
4	101.60	6.000	152.4	1150201040
6	152.40	9.000	228.6	1150201060
8	203.20	12.000	304.8	1150201080
10	254.00	15.000	381.0	11502010A0
12	304.80	18.000	457.2	11502010A2

All sizes of clamp end also available

2KS

45° long tube bend
3A



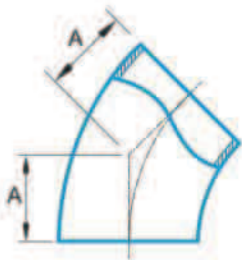
Materials: AISI 304 / AISI 316L

Nominal Size		A		Part Number
inch	mm.	inch	mm.	
1/2	12.70	2.250	57.2	1150301004
3/4	19.05	2.250	57.2	1150301006
1	25.40	1.188	30.2	1150301010
1 1/2	38.10	1.625	41.3	1150301014
2	50.80	2.313	58.7	1150301020
2 1/2	63.50	3.000	76.2	1150301024
3	76.20	3.688	93.7	1150301030
4	101.60	4.813	122.3	1150301040
6	152.40	6.250	158.8	1150301060

All sizes of clamp end also available

2WK

45° Short Tube Bend
3A

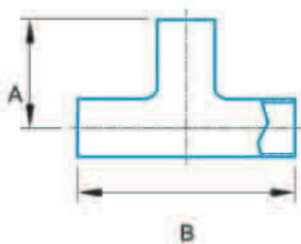


Nominal Size		A		Part Number
inch	mm.	inch	mm.	
1/2	12.70	0.466	11.8	1150401004
3/4	19.05	0.466	11.8	1150401006
1	25.40	0.625	15.9	1150401010
1 1/2	38.10	0.938	23.8	1150401014
2	50.80	1.250	31.8	1150401020
2 1/2	63.50	1.563	39.7	1150401024
3	76.20	1.875	47.6	1150401030
4	101.60	2.500	63.5	1150401040
6	152.40	3.750	95.3	1150401060
8	203.20	5.000	127.0	1150401080
10	254.00	6.250	158.8	11504010A0
12	304.80	7.500	190.5	11504010A2

All sizes of clamp end also available

7W

Long Equal Tee
3A



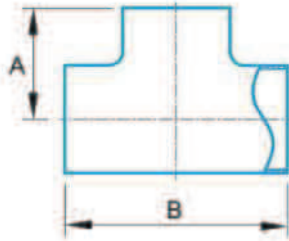
Nominal Size		A		B		Part Number
inch	mm.	inch	mm.	inch	mm.	
1/2	12.70	1.875	47.6	3.750	95.3	1150501004
3/4	19.05	2.000	50.8	4.000	101.6	1150501006
1	25.40	1.875	47.6	3.750	95.3	1150501010
1 1/2	38.10	2.250	57.2	4.500	114.3	1150501014
2	50.80	3.000	76.2	6.000	152.4	1150501020
2 1/2	63.50	3.000	76.2	6.000	152.4	1150501024
3	76.20	3.250	82.6	6.500	165.1	1150501030
4	101.60	3.875	98.4	7.750	196.9	1150501040
6	152.40	5.625	142.9	11.250	285.8	1150501060
8	203.20	7.000	177.8	14.000	355.6	1150501080

All sizes of clamp end also available

7WWW

Materials: AISI 304 / AISI 316L

Short Equal Tee
3A

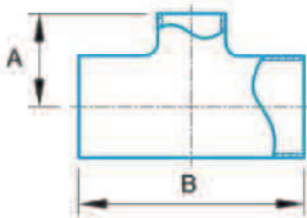


Nominal Size		A		B		Part Number
inch	mm.	inch	mm.	inch	mm.	
1	25.40	1.125	28.6	2.250	57.2	1150601010
1 1/2	38.10	1.656	42.1	3.312	84.2	1150601014
2	50.80	2.062	52.4	4.124	104.8	1150601020
2 1/2	63.50	2.344	59.5	4.688	119.0	1150601024
3	76.20	2.594	65.9	5.188	131.8	1150601030
4	101.60	3.438	87.3	6.876	174.6	1150601040

All sizes of clamp end also available

7RW

Long Reducing Tee
3A



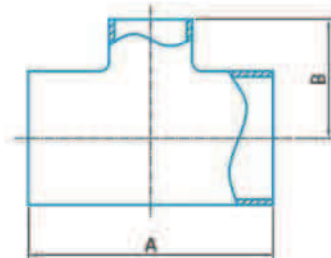
Nominal Size			A		B		Part Number
inch	mm.	inch	mm.	inch	mm.		
3/4 x 1/2	19.05 x 12.70	2.000	50.8	4.000	101.6	11507010D7	
1 x 1/2	25.40 x 12.70	2.125	53.9	4.250	107.9	11507010E4	
x 3/4	25.40 x 19.05	2.125	53.9	4.250	107.9	11507010E5	
1 1/2 x 1/2	38.10 x 12.70	2.375	60.3	4.750	120.6	11507010E6	
x 3/4	38.10 x 19.05	2.375	60.3	4.750	120.6	11507010E7	
x 1	38.10 x 25.40	2.125	53.9	4.500	114.3	11507010E8	
2 x 1/2	50.80 x 12.70	2.625	66.6	5.750	146.0	11507010F3	
x 3/4	50.80 x 19.05	2.625	66.6	5.750	146.0	11507010F4	
x 1	50.80 x 25.40	2.375	60.3	6.000	152.4	11507010F5	
x 1 1/2	50.80 x 38.10	2.500	63.5	6.000	152.4	11507010F6	
2 1/2 x 1 1/2	63.50 x 38.10	2.752	69.9	6.000	152.4	11507010G4	
x 2	63.50 x 50.80	3.252	82.6	6.000	152.4	11507010G5	
3 x 1	76.20 x 25.40	2.874	73.0	6.500	165.1	11507010H1	
x 1 1/2	76.20 x 38.10	3.000	76.2	6.500	165.1	11507010H2	
x 2	76.20 x 50.80	3.500	88.9	6.500	165.1	11507010H3	
x 2 1/2	76.20 x 63.50	3.252	82.6	6.500	165.1	11507010H4	
4 x 1	101.60 x 25.40	3.374	85.7	7.750	196.8	11507010J1	
x 1 1/2	101.60 x 38.10	3.500	88.9	7.750	196.8	11507010J2	
x 2	101.60 x 50.40	4.000	101.6	7.750	196.8	11507010J3	
x 2 1/2	101.60 x 63.50	3.750	95.5	7.750	196.8	11507010J4	
x 3	101.60 x 76.20	3.750	95.5	7.750	196.8	11507010J5	
6 x 2	152.40 x 50.80	4.500	114.3	11.250	285.7	11507010K2	
x 3	152.40 x 76.20	4.875	123.8	11.250	285.7	11507010K3	
x 4	152.40 x 101.60	5.125	130.1	11.250	285.7	11507010K4	

All sizes of clamp end also available

7RWWW

Materials: AISI 304 / AISI 316L

Short Reducing Tee 3A

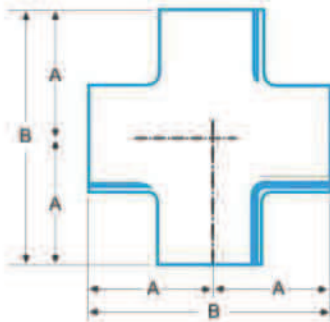


Nominal Size		A		B		Part Number
inch	mm.	inch	mm.	inch	mm.	
3/4 x 1/2	19.05 x 12.70	3.750	95.2	1.000	25.4	11506030D7
1 x 1/2	25.40 x 12.70	3.750	95.2	1.500	38.1	11506030E4
x 3/4	x 19.05	3.750	95.2	2.000	50.8	11506030E5
1 1/2 x 1/2	38.10 x 12.70	4.500	114.3	2.250	57.1	11506030E6
x 3/4	x 19.05	4.500	114.3	2.250	57.1	11506030E7
x 1	x 25.40	3.312	84.1	1.375	34.9	11506030E8
2 x 1/2	50.80 x 12.70	4.124	104.7	1.625	41.2	11506030F3
x 3/4	x 19.05	4.124	104.7	1.625	41.2	11506030F4
x 1	x 25.40	4.124	104.7	1.625	41.2	11506030F5
x 1 1/2	x 38.10	4.124	104.7	1.906	48.4	11506030F6
2 1/2 x 1	63.50 x 25.40	4.688	119.0	1.875	47.6	11506030G3
x 1 1/2	x 38.10	4.688	119.0	2.156	54.7	11506030G4
x 2	x 50.80	4.688	119.0	2.312	58.7	11506030G5
3 x 1	76.20 x 25.40	5.188	131.7	2.126	54.0	11506030H1
x 1 1/2	x 38.10	5.188	131.7	2.406	61.1	11506030H2
x 2	x 50.80	5.188	131.7	2.562	65.0	11506030H3
x 2 1/2	x 63.50	5.188	131.7	2.594	65.8	11506030H4
4 x 1	101.60 x 25.40	6.876	174.6	2.626	66.7	11506030J1
x 1 1/2	x 38.10	6.876	174.6	2.906	73.8	11506030J2
x 2	x 50.80	6.876	174.6	3.062	77.7	11506030J3
x 2 1/2	x 63.50	6.876	174.6	3.094	78.5	11506030J4
x 3	x 76.20	6.876	174.6	3.094	78.5	11506030J5
6 x 1.5	152.40 x 38.10	10.000	254.0	4.750	120.6	11506030P3
x 2	x 50.80	10.000	254.0	4.750	120.6	11506030K2
x 3	x 76.20	10.000	254.0	4.875	123.8	11506030K3
x 4	x 101.60	10.000	254.0	5.125	120.6	11506030K4

9WWW

Materials: AISI 304 / AISI 316L

Short Cross
3A

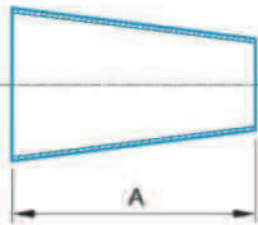


Nominal Size		A		B		Part Number
inch	mm.	inch	mm.	inch	mm.	
1	25.40	1.125	28.6	2.250	57.2	1150821010
1 1/2	38.10	1.656	42.1	3.313	84.2	1150821014
2	50.80	2.063	52.4	4.125	104.8	1150821020
2 1/2	63.50	2.344	59.5	4.688	119.1	1150821024
3	76.20	2.594	65.9	5.188	131.8	1150821030
4	101.60	3.438	87.3	6.875	174.6	1150821040

All sizes of clamp end also available

31W

Concentric Reducer
3A



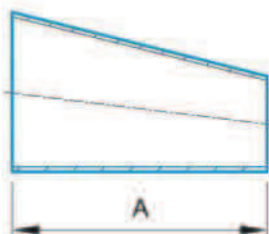
Nominal Size		A		Part Number
inch	mm.	inch	mm.	
3/4 x 1/2	19.05 x 12.70	1.000	25.4	11509010D7
1 x 1/2	25.40 x 12.70	1.000	25.4	11509010E4
x 3/4	x 19.05	1.000	25.4	11509010E5
1 1/2 x 1/2	38.10 x 12.70	2.500	63.5	11509010E6
x 3/4	x 19.05	2.000	50.8	11509010E7
x 1	x 25.40	2.000	50.8	11509010E8
2 x 1/2	50.80 x 12.70	6.000	152.4	11509010F3
x 3/4	x 19.05	5.000	127.0	11509010F4
x 1	x 25.40	4.000	101.6	11509010F5
x 1 1/2	x 38.10	2.000	50.8	11509010F6
2 1/2 x 1 1/2	63.50 x 38.10	4.000	101.6	11509010G4
x 2	x 50.80	2.000	50.8	11509010G5
3 x 1	76.20 x 25.40	8.000	203.2	11509010H1
x 1 1/2	x 38.10	6.000	152.4	11509010H2
x 2	x 50.80	4.000	101.6	11509010H3
x 2 1/2	x 63.50	2.000	50.8	11509010H4
4 x 1 1/2	101.60 x 38.10	10.000	254.0	11509010J2
x 2	x 50.40	8.000	203.2	11509010J3
x 2 1/2	x 63.50	6.000	152.4	11509010J4
x 3	x 76.20	4.000	101.6	11509010J5
6 x 2	152.40 x 50.80	5.500	139.7	11509010K2
x 3	x 76.20	5.500	139.7	11509010K3
x 4	x 101.60	5.500	139.7	11509010K4
8 x 4	203.20 x 101.60	6.000	152.4	11509010M6
x 6	x 152.40	6.000	152.4	11509010M7

All sizes of clamp end also available

32W

Materials: AISI 304 / AISI 316L

Eccentric Reducer
3A



Nominal Size			A		Part Number	
inch		mm.	inch	mm.		
3/4 x	1/2	19.05 x	12.70	1.000	25.4	11510010D7
1 x	1/2	25.40 x	12.70	1.000	25.4	11510010E4
	x 3/4		x 19.05	1.000	25.4	11510010E5
1 1/2 x	1/2	38.10 x	12.70	2.500	63.5	11510010E6
	x 3/4		x 19.05	2.000	50.8	11510010E7
	x 1		x 25.40	2.000	50.8	11510010E8
2 x	1/2	50.80 x	12.70	6.000	152.4	11510010F3
	x 3/4		x 19.05	5.000	127.0	11510010F4
	x 1		x 25.40	4.000	101.6	11510010F5
	x 1 1/2		x 38.10	2.000	50.8	11510010F6
2 1/2 x	1 1/2	63.50 x	38.10	4.000	101.6	11510010G4
	x 2		x 50.80	2.000	50.8	11510010G5
3 x	1	76.20 x	25.40	8.000	203.2	11510010H1
	x 1 1/2		x 38.10	6.000	152.4	11510010H2
	x 2		x 50.80	4.000	101.6	11510010H3
	x 2 1/2		x 63.50	2.000	50.8	11510010H4
4 x	1 1/2	101.60 x	38.10	10.000	254.0	11510010J2
	x 2		x 50.40	8.000	203.2	11510010J3
	x 2 1/2		x 63.50	6.000	152.4	11510010J4
	x 3		x 76.20	4.000	101.6	11510010J5
6 x	3	152.40 x	76.20	5.500	139.7	11510010K3
	x 4		x 101.60	5.500	139.7	11510010K4
8 x	4	203.20 x	101.60	6.000	152.4	11510010M6
	x 6		x 152.40	6.000	152.4	11510010M7

All sizes of clamp end also available

16W

Tube End Cap

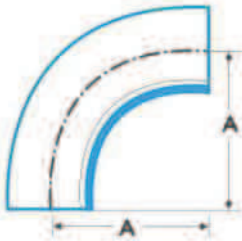


Nominal Size			A		Part Number
inch		mm.	inch	mm.	
1/2		12.70	0.250	6.4	1151101004
3/4		19.05	0.312	7.9	1151101006
1		25.40	0.375	9.5	1151101010
1 1/2		38.10	0.562	14.3	1151101014
2		50.80	0.750	19.1	1151101020
2 1/2		63.50	1.000	25.4	1151101024
3		76.20	1.250	31.8	1151101030
4		101.60	1.500	38.1	1151101040
6		152.40	2.000	50.8	1151101060
8		203.20	2.500	63.5	1151101080

SMS

Materials: AISI 304 / AISI 316L

90° Long Tube Bend
1D



Nominal Size		A	Part Number
DN	Thickness	mm.	
25	1.25	55	1167001010
38	1.25	70	1167001014
51	1.25	82	1167001020
63.5	1.50	105	1167001024
76.1	1.60	110	1167001030
104	2.00	150	1167001040

SMS

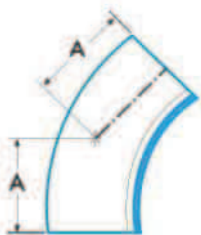
90° Short Tube Bend
1.5D



Nominal Size		A	Part Number
DN	Thickness	mm.	
25	1.25	38	1167101010
38	1.25	57	1167101014
51	1.25	77	1167101020
63.5	1.50	95	1167101024
76.1	1.60	114	1167101030
104	2.00	152	1167101040

SMS

45° Long Tube Bend

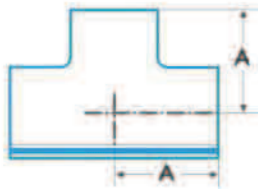


Nominal Size		A	Part Number
DN	Thickness	mm.	
25	1.25	43	1167201010
38	1.25	57	1167201014
51	1.25	69	1167201020
63.5	1.50	77	1167201024
76.1	1.60	85	1167201030
104	2.00	103	1167201040

SMS

Materials: AISI 304 / AISI 316L

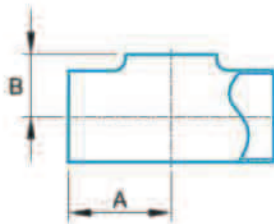
Equal Tee



Nominal Size		A	Part Number
DN	Thickness	mm.	
25	1.25	55	1167301010
38	1.25	70	1167301014
51	1.25	82	1167301020
63.5	1.50	105	1167301024
76.1	1.60	110	1167301030
104	2.00	150	1167301040

SMS

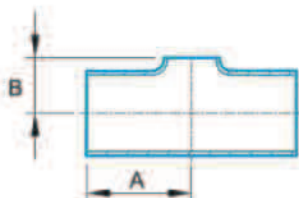
Equal Tee
Without Straight End



Nominal Size	A	B	Part Number
DN	mm.	mm.	
25	55	15	1167401010
38	70	22	1167401014
51	82	28	1167401020
63.5	105	36	1167401024
76.1	110	43	1167401030
104	150	58	1167401040

SMS

Reducing Tee
Without Straight End

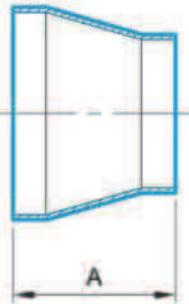


Nominal Size	A	B	Part Number
DN	mm.	mm.	
38 x 25	70	22	11675010E8
51 x 25	82	29	11675010F5
x 38	82	29	11675010F6
63.5 x 25	105	35	11675010G3
x 38	105	35	11675010G4
x 51	105	36	11675010G5
76.1 x 25	110	42	11675010H1
x 38	110	43	11675010H2
x 51	110	43	11675010H3
x 63.5	110	43	11675010H4
104 x 25	150	55	11675010J1
x 38	150	55	11675010J2
x 51	150	57	11675010J3
x 63.5	150	58	11675010J4
x 76.1	150	58	11675010J5

SMS

Materials: AISI 304 / AISI 316L

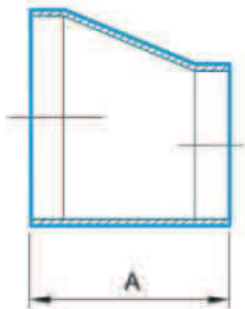
Concentric Reducer
With Straight End



Nominal Size DN	A mm.	Part Number
38 x 25	39	11676010E8
51 x 25	57	11676010F5
x 38	39	11676010F6
63.5 x 25	74	11676010G3
x 38	57	11676010G4
x 51	39	11676010G5
76.1 x 25	92	11676010H1
x 38	74	11676010H2
x 51	57	11676010H3
x 63.5	39	11676010H4
104 x 51	95	11676010J3
x 63.5	78	11676010J4
x 76.1	60	11676010J5

SMS

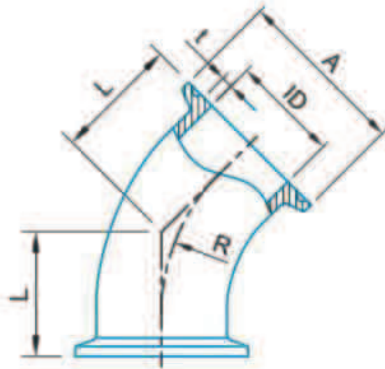
Eccentric Reducer
With Straight End



Nominal Size DN	A mm.	Part Number
38 x 25	46	11677010E8
51 x 25	68	11677010F5
x 38	47	11677010F6
63.5 x 25	92	11677010G3
x 38	70	11677010G4
x 51	44	11677010G5
76.1 x 38	92	11677010H2
x 51	68	11677010H3
x 63.5	47	11677010H4
104 x 51	117	11677010J3
x 63.5	94	11677010J4
x 76.1	74	11677010J5

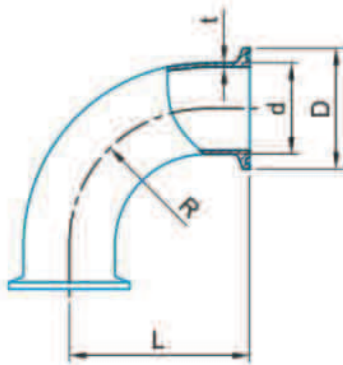
BEND / TEE CLAMP END

Materials: AISI 304 / AISI 316L



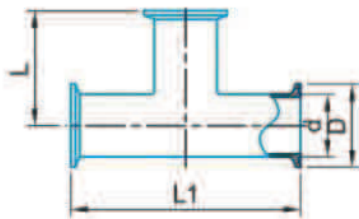
2KMP 45° Short Bend Clamp End 45°夾式彎頭

Size	ID mm	A mm	L mm	R mm	t mm	Part Number
1.0"	22.1	50.5	28.5	38.1	1.65	1153301010
1.5"	34.8	50.5	36.5	57.2	1.65	1153301014
2.0"	47.5	64	44.45	76.2	1.65	1153301020
2.5"	60.2	77.5	52.3	95.25	1.65	1153301024
3.0"	72.9	91	60.3	114.3	1.65	1153301030
4.0"	97.6	119	79.3	152.4	2.10	1153301040



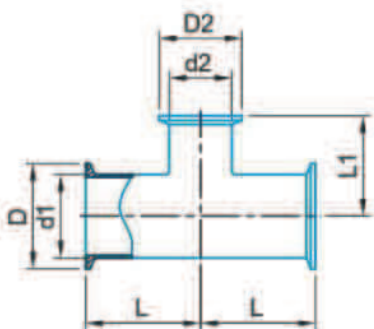
2CMP 90° Short Bend Clamp End 90°夾式彎頭

Size	d mm	D mm	L mm	R mm	t mm	Part Number
1.0"	25.4	50.5	50.8	38.1	1.65	1153001010
1.5"	38.1	50.5	69.9	57.2	1.65	1153001014
2.0"	50.8	64	88.9	76.2	1.65	1153001020
2.5"	63.5	77.5	107.9	95.25	1.65	1153001024
3.0"	76.2	91	127.0	114.3	1.65	1153001030
4.0"	101.6	119	168.2	152.4	2.10	1153001040



7MP Long Tee Clamp End 長夾式三通

Size	d mm	D mm	L mm	L1 mm	t mm	Part Number
1.0"	25.4	50.5	60.3	120.6	1.65	1153601010
1.5"	38.1	50.5	69.9	139.8	1.65	1153601014
2.0"	50.8	64	88.9	177.8	1.65	1153601020
2.5"	63.5	77.5	88.9	177.8	1.65	1153601024
3.0"	76.2	91	95.3	190.6	1.65	1153601030
4.0"	101.6	119	114.2	228.4	2.10	1153601040



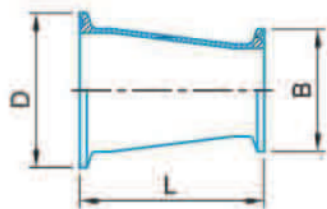
7RMP Long Reducing Tee Clamp End 異徑夾式三通

Size	d1 mm	D mm	d2 mm	D2 mm	L mm	L1 mm	Part Number
1.5" x 1.0"	38.1	50.5	25.4	50.5	69.8	66.6	11535010E8
2.0" x 1.0"	50.8	64	25.4	50.5	88.9	73	11535010F5
2.0" x 1.5"	50.8	64	38.1	50.5	88.9	76.2	11535010F6
2.5" x 1.5"	63.5	77.5	38.1	50.5	88.9	82.5	11535010G4
2.5" x 2.0"	63.5	77.5	50.8	64	88.9	95.2	11535010G5
3.0" x 1.5"	76.2	91	38.1	50.5	95.2	88.9	11535010H2
3.0" x 2.0"	76.2	91	50.8	64	95.2	101.6	11535010H3
3.0" x 2.5"	76.2	91	63.5	77.5	95.2	95.2	11535010H4
4.0" x 2.0"	101.6	119	50.8	64	114.2	114.3	11535010J3
4.0" x 2.5"	101.6	119	63.5	77.5	114.2	107.9	11535010J4
4.0" x 3.0"	101.6	119	76.2	91	114.2	107.9	11535010J5

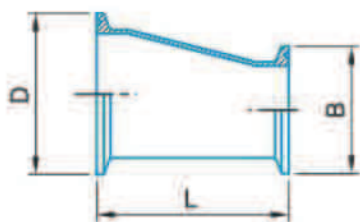
REDUCER / CROSS / JOINT

Materials: AISI 304 / AISI 316L

31MP Concentric Reducer Clamp End 夾式同心大小頭

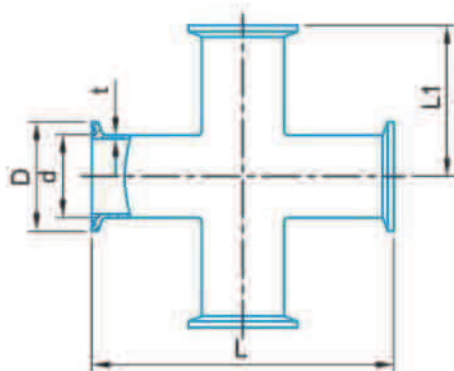


Size	D mm	B mm	L mm	Part Number
1.5" x 1.0"	50.5	50.5	76.2	11538010E8
2.0" x 1.5"	64	50.5	76.2	11538010F6
2.5" x 1.5"	77.5	50.5	127	11538010G4
2.5" x 2.0"	77.5	64	76.2	11538010G5
3.0" x 1.5"	91	50.5	177.8	11538010H2
3.0" x 2.0"	91	64	127	11538010H3
3.0" x 2.5"	91	77.5	76.2	11538010H4
4.0" x 1.5"	119	50.5	282.5	11538010J2
4.0" x 2.0"	119	64	231.7	11538010J3
4.0" x 2.5"	119	77.5	180.9	11538010J4
4.0" x 3.0"	119	91	130.1	11538010J5



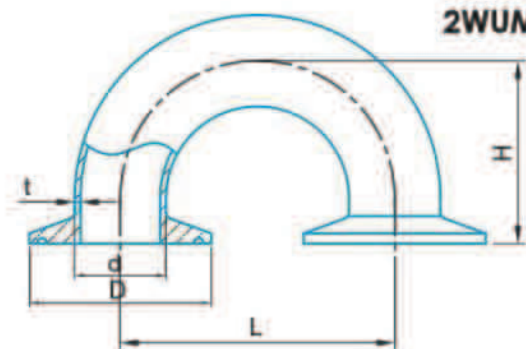
32MP Eccentric Reducer Clamp End 夾式偏心大小頭

Size	D mm	B mm	L mm	Part Number
1.5" x 1.0"	50.5	50.5	76.2	11539010E8
2.0" x 1.5"	64	50.5	76.2	11539010F6
2.5" x 1.5"	77.5	50.5	127.0	11539010G4
2.5" x 2.0"	77.5	64	76.2	11539010G5
3.0" x 1.5"	91	50.5	177.8	11539010H2
3.0" x 2.0"	91	64	127.0	11539010H3
3.0" x 2.5"	91	77.5	76.2	11539010H4
4.0" x 1.5"	119	50.5	282.5	11539010J2
4.0" x 2.0"	119	64	231.7	11539010J3
4.0" x 2.5"	119	77.5	180.9	11539010J4
4.0" x 3.0"	119	91	130.1	11539010J5



9MP Cross Clamp End 夾式十字通

Size	d mm	D mm	L mm	L1 mm	t mm	Part Number
1.0"	25.4	50.5	120.6	60.3	1.65	1153701010
1.5"	38.1	50.5	139.8	69.9	1.65	1153701014
2.0"	50.8	64	177.8	88.9	1.65	1153701020
2.5"	63.5	77.5	177.8	88.9	1.65	1153701024
3.0"	76.2	91	190.6	95.3	1.65	1153701030
4.0"	101.6	119	228.4	114.2	2.10	1153701040



2WUMP 180° Return Bend Clamp End 夾式180°彎頭

Size	d mm	D mm	L mm	H mm	t mm	Part Number
1.0"	25.4	50.5	76.2	50.8	1.65	1154001010
1.5"	38.1	50.5	114.3	69.9	1.65	1154001014
2.0"	50.8	64	152.4	88.9	1.65	1154001020
2.5"	63.5	77.5	190.5	107.9	1.65	1154001024
3.0"	76.2	91	228.6	127	1.65	1154001030
4.0"	101.6	119	304.8	168.2	2.10	1154001040

UNION

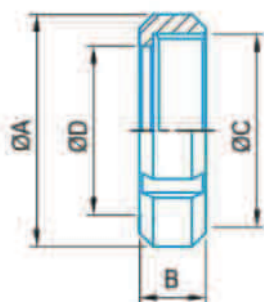


SMS UNION PARTS

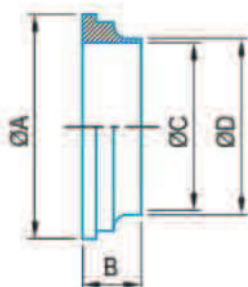
SMS 由任



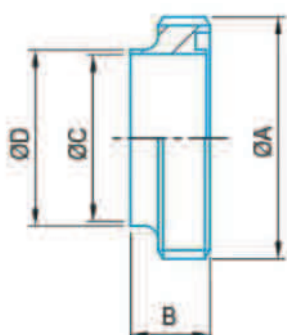
Nut



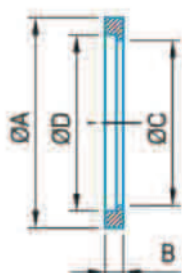
Liner



Male



Seal Ring



SMS Nut

SMS-13R

SIZE	ØA	B	ØC	ØD	Part Number
25	51	19	RD40 x 1/6	32.3	1141001010
32	60	22	RD48 x 1/6	40.3	1141001012
38	74	23	RD60 x 1/6	48.5	1141001014
51	84	24	RD70 x 1/6	61.0	1141001020
63.5	100	28	RD85 x 1/6	74.0	1141001024
76	114	30	RD98 x 1/6	87.0	1141001030
101.6/104	138	31	RD125 x 1/4	113.0	1141001040
104-B	150	31	RD132 x 1/6	117.0	1141001140

SMS Liner

SMS-14

SIZE	ØA	B	ØC	ØD	Part Number
25	35.5	15.5	22.5	25	1141101010
32	43.5	16	29.3	32	1141101012
38	55	16	35.5	38	1141101014
51	65	17	48.5	51	1141101020
63.5	80	17	60.5	63.5	1141101024
76	93	19	72.9	76.1	1141101030
101.6	118	19	97.6	101.6	1141101040
104	118	19	100	104	11411010NG

SMS Male

SMS-15

SIZE	ØA	B	ØC	ØD	Part Number
25	RD40 x 1/6	19	22.5	25	1141201010
32	RD48 x 1/6	20	29.3	32	1141201012
38	RD60 x 1/6	23	35.5	38	1141201014
51	RD70 x 1/6	23	48.5	51	1141201020
63.5	RD85 x 1/6	27	60.5	63.5	1141201024
76	RD98 x 1/6	27	72.9	76.1	1141201030
101.6	RD125 x 1/4	30	97.6	101.6	1141201040
104	RD125 x 1/4	30	100	104	11412010NG

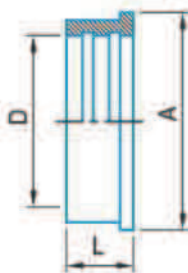
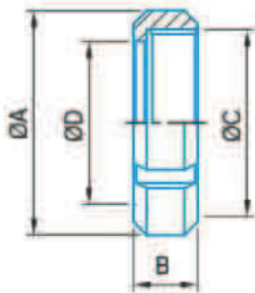
SMS Seal Ring

SIZE	ØA	B	ØC	ØD	Part Number (EPDM)
25	31.8	5.3	22.8	25.1	11420010100
38	47.8	5.3	35.8	38.1	11420010140
51	60.8	5.3	48.8	51.1	11420010200
63.5	73.3	5.3	61.0	63.6	11420010240
76	85.8	5.3	73.4	76.1	11420010300
104	115.7	5.3	100.5	104.0	11420010400

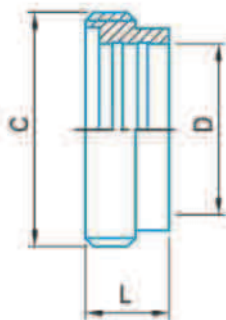
SMS EXPANDING UNION PARTS SMS 擴管式由任



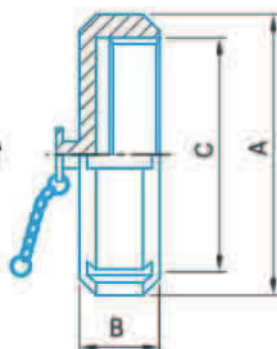
Nut



Liner



Male



Blank Nut

SMS Nut SMS-13R

SIZE	$\varnothing A$	B	$\varnothing C$	$\varnothing D$	Part Number
25	51	19	RD40 x 1/6	32.3	1141001010
32	60	22	RD48 x 1/6	40.3	1141001012
38	74	23	RD60 x 1/6	48.5	1141001014
51	84	24	RD70 x 1/6	61.0	1141001020
63.5	100	28	RD85 x 1/6	74.0	1141001024
76	114	30	RD98 x 1/6	87.0	1141001030
101.6/104	138	31	RD125 x 1/4	113.0	1141001040
104-B	154	45	RD132 x 1/6	117.0	1141001140

SMS Expanding Liner SMS-14R

SIZE	A	D	L	Part Number
25	35.5	25.2	17	1141301010
32	43.5	32.2	17	1141301012
38	55	38.2	20	1141301014
51	65	51.2	20	1141301020
63.5	80	63.7	25	1141301024
76	93	76.2	30	1141301030
104	118	104.2	27	1141301040

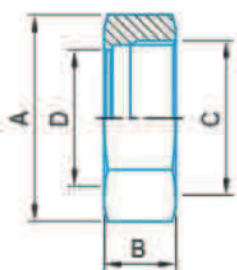
SMS Expanding Male SMS-15R

SIZE	C	D	L	Part Number
25	RD40 x 1/6	25.2	20	1141401010
32	RD48 x 1/6	32.2	20	1141401012
38	RD60 x 1/6	38.2	23	1141401014
51	RD70 x 1/6	51.2	25	1141401020
63.5	RD85 x 1/6	63.7	30	1141401024
76	RD98 x 1/6	76.2	35	1141401030
104	RD125 x 1/4	104.2	30	1141401040

SMS Blank Nut SMS-13RBN

SIZE	A	B	C	Part Number
25	51	19	RD40 x 1/6	1141501110
32	60	22	RD48 x 1/6	1141501112
38	74	23	RD60 x 1/6	1141501114
51	84	24	RD70 x 1/6	1141501120
63.5	100	28	RD85 x 1/6	1141501124
76	114	30	RD98 x 1/6	1141501130
101.6/104	138	31	RD125 x 1/4	1141501140
104-B	150	31	RD132 x 1/6	1141501140

IDF UNION PARTS IDF 由任

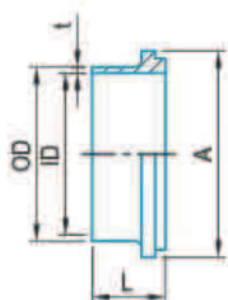


IDF Hexagonal Nut

IDF Hexagonal Nut IDF-13H

SIZE	A	B	C	D	Part Number
1.0"	46	30	34.34 x 8T ACME	30.5	1136801010
1.5"	60	30	47.86 x 8T ACME	43.5	1136801014
2.0"	75	30	61.37 x 8T ACME	57.0	1136801020
2.5"	90	30	74.88 x 8T ACME	70.7	1136801024
3.0"	105	30	88.40 x 8T ACME	83.3	1136801030
4.0"	133	34.9	122.05 x 6T ACME	112	1136801040

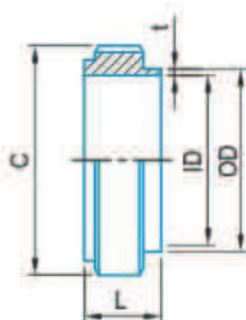
Liner



IDF Welding Liner IDF-14

SIZE	A	ID	OD	t	L	Part Number
1.0"	33.8	22.1	25.4	1.65	21.5	1137001010
1.5"	47.0	34.8	38.1	1.65	21.5	1137001014
2.0"	60.5	47.5	50.8	1.65	21.5	1137001020
2.5"	74.0	60.2	63.5	1.65	21.5	1137001024
3.0"	87.5	72.9	76.2	1.65	21.5	1137001030
4.0"	120.7	97.6	101.6	2.0	30.0	1137001040

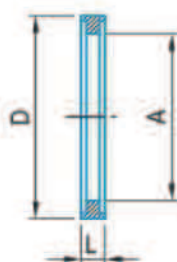
Male



IDF Welding Male IDF-15

SIZE	C	ID	OD	t	L	Part Number
1.0"	37.1 x 8T ACME	22.1	25.4	1.65	21.5	1137101010
1.5"	50.6 x 8T ACME	34.8	38.1	1.65	21.5	1137101014
2.0"	64.1 x 8T ACME	47.5	50.8	1.65	21.5	1137101020
2.5"	77.6 x 8T ACME	60.2	63.5	1.65	21.5	1137101024
3.0"	91.1 x 8T ACME	72.9	76.2	1.65	21.5	1137101030
4.0"	125.9 x 6T ACME	97.6	101.6	1.65	30.0	1137101040

Seal Ring

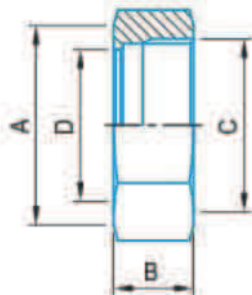


IDF Seal Ring

SIZE	A	D	L	Part Number (EPDM)
1.0"	23	32.5	7	11380010100
1.5"	36	46	7	11380010140
2.0"	49	59.5	7	11380010200
2.5"	60.7	73.2	7	11380010240
3.0"	73.2	86.5	7	11380010300
4.0"	98	112.5	7	11380010400

IDF EXPANDING UNION PARTS

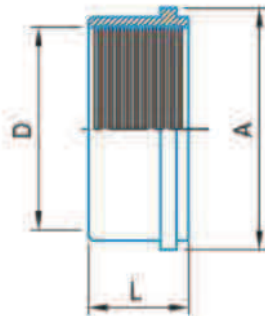
IDF 擴管式由任



IDF Hexagonal Nut

IDF Hexagonal Nut IDF-13H

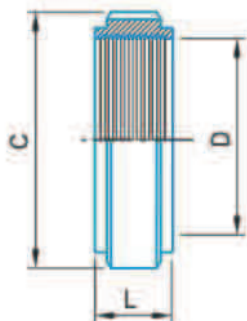
SIZE	A	B	C	D	Part Number
1.0"	46	30	34.34 x 8T ACME	30.5	1136801010
1.5"	60	30	47.86 x 8T ACME	43.5	1136801014
2.0"	75	30	61.37 x 8T ACME	57.0	1136801020
2.5"	90	30	74.88 x 8T ACME	70.7	1136801024
3.0"	105	30	88.40 x 8T ACME	83.3	1136801030
4.0"	133	34.9	122.05 x 6T ACME	112	1136801040



Liner

IDF Expanding Liner IDF-14R

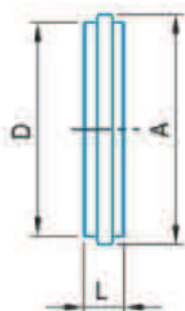
SIZE	A	D	L	Part Number
1.0"	33.8	25.5	20	1137201010
1.5"	47.0	38.2	20	1137201014
2.0"	60.5	50.9	25	1137201020
2.5"	74.0	63.6	30	1137201024
3.0"	87.5	76.3	30	1137201030
4.0"	120.7	101.7	30	1137201040



Male

IDF Expanding Male IDF-15R

SIZE	C	D	L	Part Number
1.0"	37.1 x 8T ACME	25.5	16.5	1137301010
1.5"	50.6 x 8T ACME	38.2	19.5	1137301014
2.0"	64.1 x 8T ACME	50.9	19.5	1137301020
2.5"	77.6 x 8T ACME	63.6	25.0	1137301024
3.0"	91.1 x 8T ACME	76.3	30.0	1137301030
4.0"	125.9 x 6T ACME	101.7	35.0	1137301040

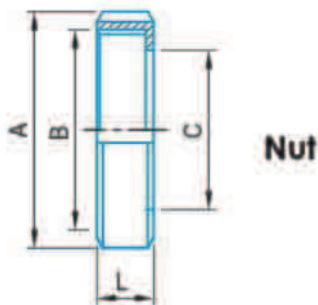
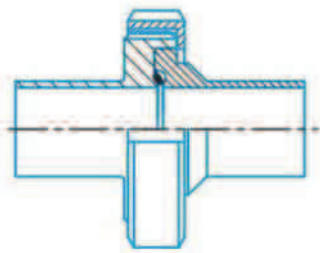


Blank

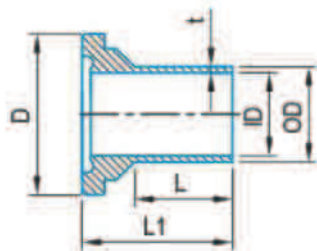
IDF Blank IDF-16AMP

SIZE	A	D	L	Part Number
1.0"	33.8	29.2	10.5	1137401010
1.5"	47.0	42.7	10.5	1137401014
2.0"	60.5	56.2	10.5	1137401020
2.5"	74.0	69.9	10.5	1137401024
3.0"	87.5	82.6	10.5	1137401030
4.0"	114.1	111.1	12.6	1137401040

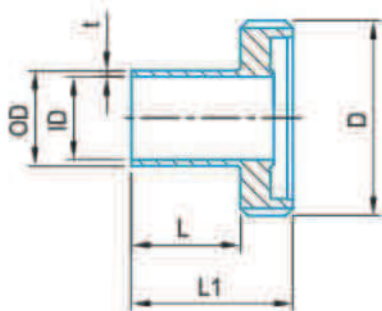
DIN 11864-1 FORM A UNION PARTS



Nut



Liner



Male

DIN Round Nut DIN-13R

DIN	A	B	C	L	Part Number
10	38	RD 28 x 1/8	19	18	1132001003
15	44	RD 34 x 1/8	25	18	1132001004
20	54	RD 44 x 1/6	31	21	1132001006
25	63	RD 52 x 1/6	36	21	1132001010
32	70	RD 58 x 1/6	42	21	1132001012
40	78	RD 65 x 1/6	49	21	1132001014
50	92	RD 78 x 1/6	62	22	1132001020
65	112	RD 95 x 1/6	80	25	1132001024
80	127	RD110 x 1/4	94	30	1132001030
100	148	RD130 x 1/4	115	31	1132001040

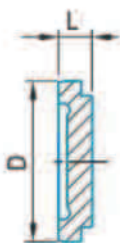
DIN Liner form A

SIZE	ID	OD	t	D	L	L1	Part Number
DN10	10	13	1.5	21.9	27	39	1135101003
DN15	16	19	1.5	27.9	27	39	1135101004
DN20	20	23	1.5	35.9	26	38	1135101006
DN25	26	29	1.5	42.9	26	40	1135101010
DN32	32	35	1.5	48.9	32	47	1135101012
DN40	38	41	1.5	54.9	31	47	1135101014
DN50	50	53	1.5	66.9	30	48	1135101020
DN65	66	70	2.0	84.9	40	61	1135101024
DN80	81	85	2.0	98.9	40	61	1135101030
DN100	100	104	2.0	118.9	40	66	1135101040

DIN Male form A

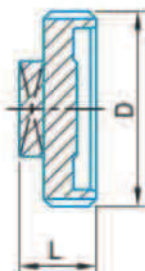
SIZE	ID	OD	t	D	L	L1	Part Number
DN10	10	13	1.5	RD28 x 1/8	27	41	1135201003
DN15	16	19	1.5	RD34 x 1/8	27	41	1135201004
DN20	20	23	1.5	RD44 x 1/6	26	43	1135201006
DN25	26	29	1.5	RD52 x 1/6	26	43	1135201010
DN32	32	35	1.5	RD58 x 1/6	32	48	1135201012
DN40	38	41	1.5	RD65 x 1/6	31	48	1135201014
DN50	50	53	1.5	RD78 x 1/6	30	48	1135201020
DN65	66	70	2.0	RD95 x 1/6	40	60	1135201024
DN80	81	85	2.0	RD110 x 1/4	40	64	1135201030
DN100	100	104	2.0	RD130 x 1/4	40	64	1135201040

Liner Blank



SIZE	D	L	Part Number
DN10	21.9	9	1135101303
DN15	27.9	9	1135101304
DN20	35.9	10	1135101306
DN25	42.9	12	1135101310
DN32	48.9	13	1135101312
DN40	54.9	13	1135101314
DN50	66.9	14	1135101320
DN65	84.9	16	1135101324
DN80	98.9	16	1135101330
DN100	118.9	20	1135101340

Male Blank



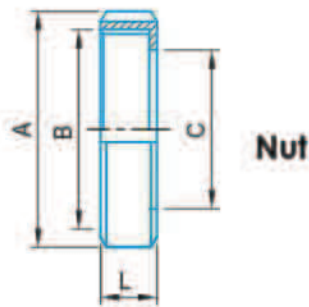
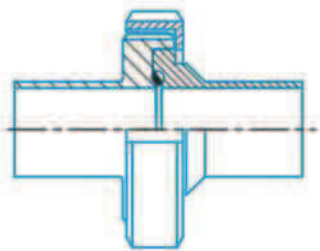
SIZE	D	L	Part Number
DN10	RD28 x 1/8	24	1135201303
DN15	RD34 x 1/8	24	1135201304
DN20	RD44 x 1/6	24	1135201306
DN25	RD52 x 1/6	24	1135201310
DN32	RD58 x 1/6	24	1135201312
DN40	RD65 x 1/6	24	1135201314
DN50	RD78 x 1/6	24	1135201320
DN65	RD95 x 1/6	28	1135201324
DN80	RD110 x 1/4	28	1135201330
DN100	RD130 x 1/4	30	1135201340

DIN Seal Ring



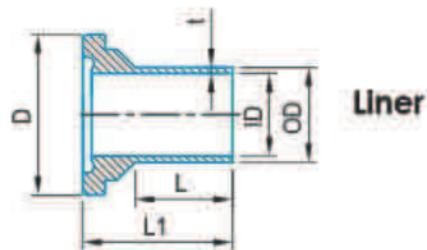
SIZE	D1	S	Part Number (EPDM)
DN10	12	3.5	11360010030
DN15	18	3.5	11360010040
DN20	22	3.5	11360010060
DN25	28	3.5	11360010100
DN32	34	5	11360010120
DN40	40	5	11360010140
DN50	52	5	11360010200
DN65	68	5	11360010240
DN80	83	5	11360010300
DN100	102	5	11360010400

DIN 11864-1 FORM A UNION PARTS



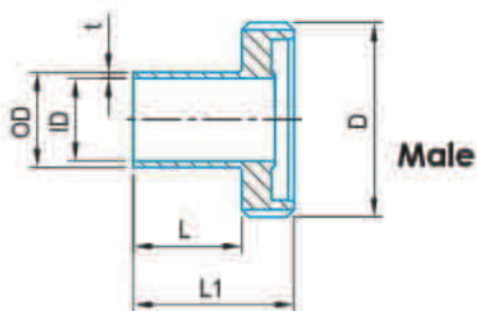
DIN Nut DIN-13R

DIN	A	B	C	L	Part Number
15	54	RD 44 x 1/6	31	21	1132001006
20	63	RD 52 x 1/6	36	21	1132001010
25	70	RD 58 x 1/6	42	21	1132001012
32	78	RD 65 x 1/6	49	21	1132001014
40	92	RD 78 x 1/6	62	22	1132001020
50	112	RD 95 x 1/6	80	25	1132001024
65	127	RD110 x 1/4	94	30	1132001030
80	148	RD130 x 1/4	115	31	1132001040



ISO Liner form A

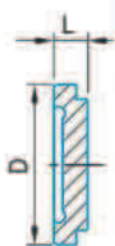
SIZE	ID	OD	t	D	L	L1	Part Number
DN15	18.1	21.3	1.6	35.9	27	40	1135102004
DN20	23.7	26.9	1.6	42.9	26	41	1135102006
DN25	29.7	33.7	2.0	48.9	32	47	1135102010
DN32	38.4	42.4	2.0	54.9	32	47	1135102012
DN40	44.3	48.3	2.0	66.9	31	48	1135102014
DN50	56.3	60.3	2.0	84.9	40	62	1135102020
DN65	72.1	76.1	2.0	98.9	40	61	1135102024
DN80	84.3	88.9	2.3	118.9	40	68	1135102030



ISO Male form A

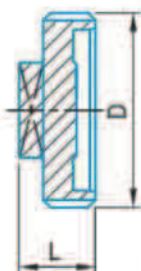
SIZE	ID	OD	t	D	L	L1	Part Number
DN15	18.1	21.3	1.6	RD44 x 1/6	27	43	1135202004
DN20	23.7	26.9	1.6	RD52 x 1/6	27	43	1135202006
DN25	29.7	33.7	2.0	RD58 x 1/6	32	48	1135202010
DN32	38.4	42.4	2.0	RD65 x 1/6	32	48	1135202012
DN40	44.3	48.3	2.0	RD78 x 1/6	31	49	1135202014
DN50	56.3	60.3	2.0	RD95 x 1/6	40	60	1135202020
DN65	72.1	76.1	2.0	RD110 x 1/4	40	64	1135202024
DN80	84.3	88.9	2.3	RD130 x 1/4	40	64	1135202030

ISO Liner Blank



SIZE	D	L	Part Number
DN15	35.9	10	1135101306
DN20	42.9	12	1135101310
DN25	48.9	13	1135101312
DN32	54.9	13	1135101314
DN40	66.9	14	1135101320
DN50	84.9	16	1135101324
DN65	98.9	16	1135101330
DN80	118.9	20	1135101340

ISO Male Blank



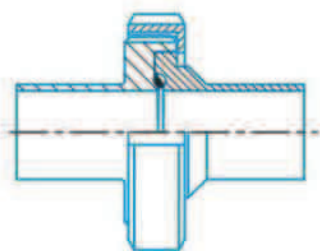
SIZE	D	L	Part Number
DN15	RD44 x 1/6	24	1135201306
DN20	RD52 x 1/6	24	1135201310
DN25	RD58 x 1/6	24	1135201312
DN32	RD65 x 1/6	24	1135201314
DN40	RD78 x 1/6	24	1135201320
DN50	RD95 x 1/6	28	1135201324
DN65	RD110 x 1/4	28	1135201330
DN80	RD130 x 1/4	30	1135201340

ISO Seal Ring



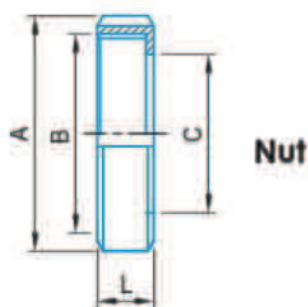
SIZE	D1	S	Part Number (EPDM)
DN15	20	3.5	11360020040
DN20	26	2.5	11360020060
DN25	32	5	11360020100
DN32	40.5	5	11360020120
DN40	46.5	5	11360020140
DN50	58.5	5	11360020200
DN65	73.5	5	11360020240
DN80	86.5	5	11360020300

DIN 11864-1 FORM A IMPERIAL UNION PARTS

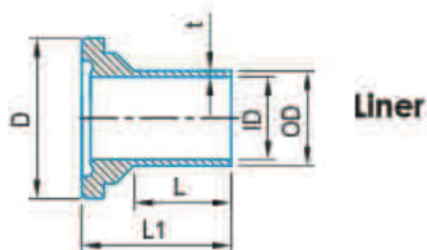


Din Nut part, DIN-13R

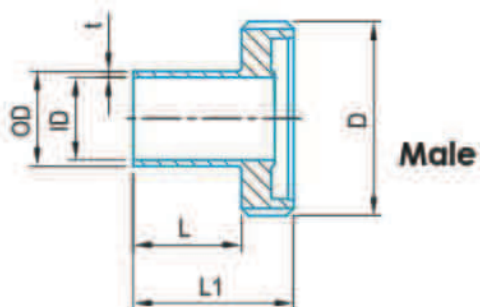
DIN	A	B	C	L	Part Number
1.0"	63	RD52 x 1/6	36	21	1132001010
1.5"	78	RD65 x 1/6	49	21	1132001014
2.0"	92	RD78 x 1/6	62	22	1132001020
2.5"	112	RD95 x 1/6	80	25	1132001024
3.0"	127	RD110 x 1/4	94	30	1132001030
4.0"	148	RD130 x 1/4	115	31	1132001040



Nut



Liner



Male

Imperial Liner form A

SIZE	ID	OD	t	D	L	L1	Part Number
1.0"	22.1	25.4	1.65	42.9	26	40	1135103010
1.5"	34.8	38.1	1.65	54.9	30	46.5	1135103014
2.0"	47.5	50.8	1.65	66.9	30	47.5	1135103020
2.5"	60.2	63.5	1.65	84.9	40	63	1135103024
3.0"	72.9	76.2	1.65	98.9	40	61	1135103030
4.0"	97.6	101.6	2.0	118.9	40	65	1135103040

Imperial Male form A

SIZE	ID	OD	t	D	L	L1	Part Number
1.0"	22.1	25.4	1.65	RD52 x 1/6	26	43	1135203010
1.5"	34.8	38.1	1.65	RD65 x 1/6	30	49	1135203014
2.0"	47.5	50.8	1.65	RD78 x 1/6	30	49	1135203020
2.5"	60.2	63.5	1.65	RD95 x 1/6	40	60	1135203024
3.0"	72.9	76.2	1.65	RD110 x 1/4	40	64	1135203030
4.0"	97.6	101.6	2.0	RD130 x 1/4	40	64	1135203040

Liner Blank

SIZE	D	L	Part Number
1.0"	42.9	12	1135101310
1.5"	54.9	13	1135101314
2.0"	66.9	14	1135101320
2.5"	84.9	16	1135101324
3.0"	98.9	16	1135101330
4.0"	118.9	20	1135101340

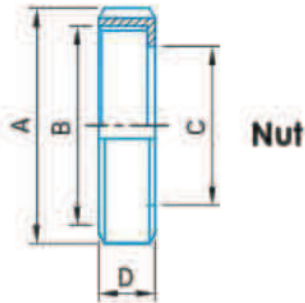
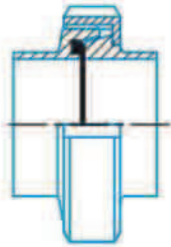
Male Blank

SIZE	D	L	Part Number
DN25	RD52 x 1/6	24	1135201310
DN40	RD65 x 1/6	24	1135201314
DN50	RD78 x 1/6	24	1135201320
DN65	RD95 x 1/6	28	1135201324
DN80	RD110 x 1/4	28	1135201330
DN100	RD130 x 1/4	30	1135201340

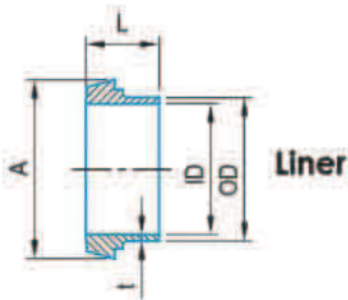
Imperial Seal Ring

SIZE	D1	S	Part Number (EPDM)
1.0"	24	3.5	11360030100
1.5"	37	5	11360030140
2.0"	50	5	11360030200
2.5"	62	5	11360030240
3.0"	75	5	11360030300
4.0"	100	5	11360030400

DIN 11851 UNION PARTS DIN 由任



Nut



Liner

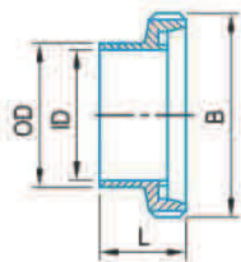
DIN Nut part, DIN-13R

DIN	A	B	C	D	Part Number
10	38	RD 28 x 1/8	19	18	1132001003
15	44	RD 34 x 1/8	25	18	1132001004
20	54	RD 44 x 1/6	31	21	1132001006
25	63	RD 52 x 1/6	36	21	1132001010
32	70	RD 58 x 1/6	42	21	1132001012
40	78	RD 65 x 1/6	49	21	1132001014
50	92	RD 78 x 1/6	62	22	1132001020
65	112	RD 95 x 1/6	80	25	1132001024
80	127	RD110 x 1/4	94	30	1132001030
90	138	RD120 x 1/4	104	30	1132001034
100	148	RD130 x 1/4	115	31	1132001040
125	178	RD160 x 1/4	138	35	1132001050
150	210	RD190 x 1/4	164	40	1132001060

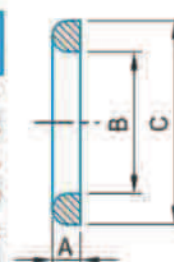
DIN Liner part, DIN-14

DIN	ID	OD	t	A	L	Part Number
10	10	13	1.5	22	17	1132101003
15	16	19	1.5	28	17	1132101004
20	20	23	1.5	36	18	1132101006
25	26	29	1.5	44	22	1132101010
32	32	35	1.5	50	25	1132101012
40	38	41	1.5	56	26	1132101014
50	50	53	1.5	68	28	1132101020
65	66	70	2	86	32	1132101024
80	81	85	2	100	37	1132101030
100	100	104	2	121	44	1132101040
125	125	129	2	150	34	1132101050
150	150	154	2	176	37	1132101060

DIN Male part, DIN-15



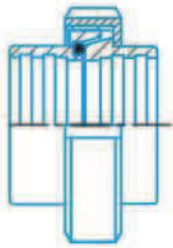
DIN	OD	ID	B	L	Part Number
10	13	10	RD 28 x 1/8	21	1132201003
15	19	16	RD 34 x 1/8	21	1132201004
20	23	20	RD 44 x 1/6	24	1132201006
25	29	26	RD 52 x 1/6	29	1132201010
32	35	32	RD 58 x 1/6	32	1132201012
40	41	38	RD 65 x 1/6	33	1132201014
50	53	50	RD 78 x 1/6	35	1132201020
65	70	66	RD 95 x 1/6	40	1132201024
80	85	81	RD110 x 1/4	45	1132201030
90	93	89	RD120 x 1/4	54	1132201034
100	104	100	RD130 x 1/4	54	1132201040
125	129	125	RD160 x 1/4	46	1132201050
150	154	150	RD190 x 1/4	50	1132201060



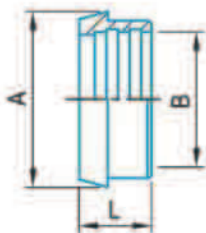
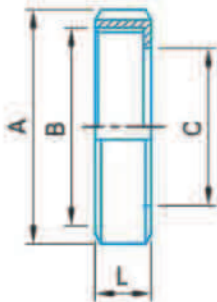
DIN Seal Ring

DIN	A	B	C	Part Number (EPDM)
10	4.5	12	20	11330010030
15	4.5	18	26	11330010040
20	4.5	23	33	11330010060
25	5	30	40	11330010100
32	5	36	46	11330010120
40	5	42	52	11330010140
50	5	54	64	11330010200
65	5	71	81	11330010240
80	5	85	95	11330010300
100	5	104	114	11330010400
125	7	130	142	11330010500
150	7	155	167	11330010600

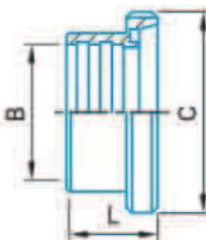
DIN11851 EXPANDING UNION PARTS DIN 擴管式由任



Nut



Liner



Male

DIN Nut part, DIN-13R

DIN	A	B	C	L	Part Number
10	38	RD 28 x 1/8	19	18	1132001003
15	44	RD 34 x 1/8	25	18	1132001004
20	54	RD 44 x 1/6	31	21	1132001006
25	63	RD 52 x 1/6	36	21	1132001010
32	70	RD 58 x 1/6	42	21	1132001012
40	78	RD 65 x 1/6	49	21	1132001014
50	92	RD 78 x 1/6	62	22	1132001020
65	112	RD 95 x 1/6	80	25	1132001024
80	127	RD 110 x 1/4	94	30	1132001030
90	138	RD 120 x 1/4	104	30	1132001034
100	148	RD 130 x 1/4	115	31	1132001040
125	178	RD 160 x 1/4	138	35	1132001050
150	210	RD 190 x 1/4	164	40	1132001060

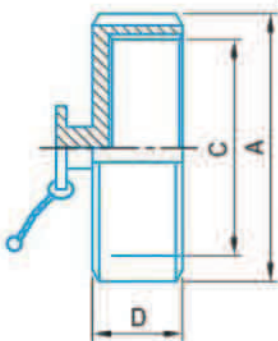
DIN Expanding Liner part, DIN-14R

DIN	A	B	L	Part Number
25	44	28.2	22	1132501010
32	50	34.2	25	1132501012
40	56	40.2	26	1132501014
50	68	52.2	28	1132501020
65	86	70.3	32	1132501024
80	100	85.3	37	1132501030
100	121	104.3	44	1132501040

DIN Expanding Male part, DIN-15R

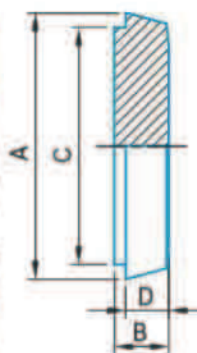
DIN	B	C	L	Part Number
25	28.2	RD 52 x 1/6	29	1132601010
32	34.2	RD 58 x 1/6	32	1132601012
40	40.2	RD 65 x 1/6	33	1132601014
50	52.2	RD 78 x 1/6	35	1132601020
65	70.3	RD 95 x 1/6	40	1132601024
80	85.3	RD 110 x 1/4	45	1132601030
101.6	101.9	RD 130 x 1/4	54	11326010NF
100	104.3	RD 130 x 1/4	54	1132601040

DIN Blank Nut part, DIN-13RBN



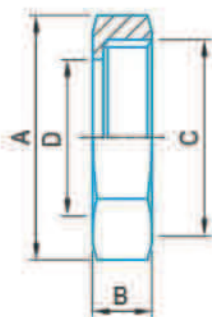
DIN	A	C	D	Part Number
10	38	RD 28 x 1/8	18	1132111003
15	44	RD 34 x 1/8	18	1132111004
20	54	RD 44 x 1/6	20	1132111006
25	63	RD 52 x 1/6	21	1132111010
32	70	RD 58 x 1/6	21	1132111012
40	78	RD 65 x 1/6	21	1132111014
50	92	RD 78 x 1/6	22	1132111020
65	112	RD 95 x 1/6	25	1132111024
80	127	RD 110 x 1/4	30	1132111030
100	148	RD 130 x 1/4	31	1132111040
125	178	RD 160 x 1/4	35	1132111050
150	210	RD 190 x 1/4	41	1132111060

DIN Blank Liner part, DIN-14B

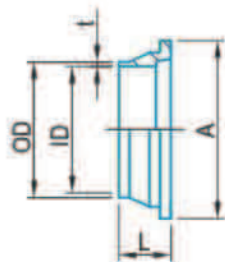


DIN	A	B	C	D	Part Number
10	22.5	9	18	6	1132103003
15	28.5	9	24	6	1132103004
20	36.5	11	30	8	1132103006
25	44	13	35	10	1132103010
32	50	13	41	10	1132103012
40	56	13	48	10	1132103014
50	68.5	14	61	11	1132103020
65	86	16	79	12	1132103024
80	100	16	93	12	1132103030
100	121	20	114	15	1132103040
125	150	22	137	17	1132103050
150	176	24	163	18	1132103060

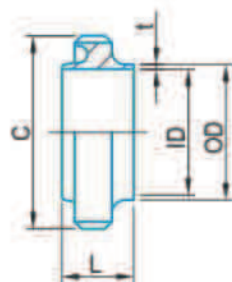
RJT UNION PARTS RJT 由任



Nut



Liner



Male



O-Ring

RJT Hexagonal Nut **RJT-13H**

SIZE	A	B	C	D	Part Number
1.0"	50.8	22.2	42.266 x 8 TPI WHIT	33.3	1138501010
1.5"	65.0	22.2	54.966 x 8 TPI WHIT	46	1138501014
2.0"	79.4	22.2	67.920 x 6 TPI WHIT	58.7	1138501020
2.5"	92.0	22.2	80.620 x 6 TPI WHIT	71.4	1138501024
3.0"	104.8	22.2	93.320 x 6 TPI WHIT	84.1	1138501030
4.0"	130	22.2	118.720 x 6 TPI WHIT	109.7	1138501040
6.0"	184	24	169.520 x 6 TPI WHIT	163	1138501060

RJT Welding Liner **RJT-14**

SIZE	A	L	ID	OD	t	Part Number
1.0"	41.3	19.5	22.2	25.7	1.7	1138701010
1.5"	54.0	19.5	34.9	38.4	1.7	1138701014
2.0"	66.7	19.5	47.6	51.1	1.7	1138701020
2.5"	79.4	19.5	60.3	63.8	1.7	1138701024
3.0"	92.1	19.5	73.0	76.5	1.7	1138701030
4.0"	117.5	19.5	97.6	101.9	2.1	1138701040
6.0"	169.1	23.5	148.0	152.5	2.2	1138701060

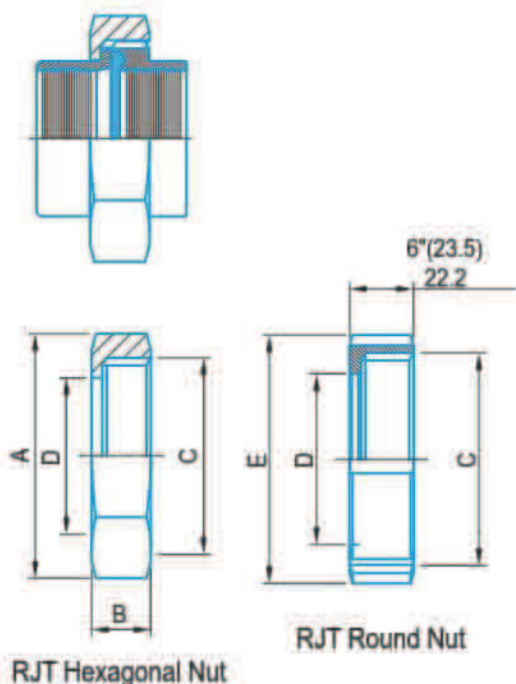
RJT Welding Male **RJT-15**

SIZE	ID	OD	C	L	t	Part Number
1.0"	22.2	25.6	45.72 x 8T WHIT	27	1.7	1138801010
1.5"	34.9	38.4	58.42 x 8T WHIT	27	1.7	1138801014
2.0"	47.6	51.1	72.72 x 6T WHIT	27	1.7	1138801020
2.5"	60.3	63.8	85.42 x 6T WHIT	27	1.7	1138801024
3.0"	73.0	76.5	98.12 x 6T WHIT	27	1.7	1138801030
4.0"	97.6	101.9	123.52 x 6T WHIT	27	2.1	1138801040
6.0"	148	152.5	174.32 x 6T WHIT	24	2.2	1138801060

RJT Seal O-Ring

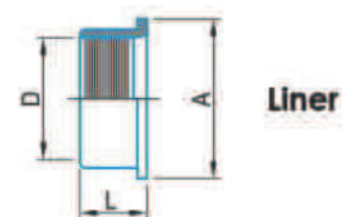
SIZE	A	B	Part Number (EPDM)
1.0"	33.3	6.6	11400010100
1.5"	46.0	6.6	11400010140
2.0"	58.7	6.6	11400010200
2.5"	71.4	6.6	11400010240
3.0"	84.1	6.6	11400010300
4.0"	109.5	6.6	11400010400

RJT EXPANDING UNION PARTS RJT 擴管式由任



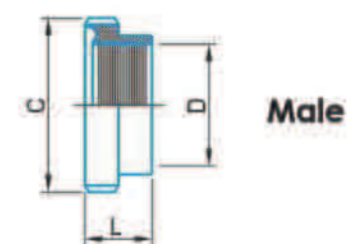
RJT Hexagonal Nut **RJT-13H**
RJT Round Nut **RJT-13R**

SIZE	A	B	C	D	E	Part Number	
						13H	13R
1.0"	50.8	22.2	42.266 x 8 TPI WHIT	33.3	58.5	1138501010	1138601010
1.5"	65.0	22.2	54.966 x 8 TPI WHIT	46	74	1138501014	1138601014
2.0"	79.4	22.2	67.920 x 6 TPI WHIT	58.7	85.5	1138501020	1138601020
2.5"	92.0	22.2	80.620 x 6 TPI WHIT	71.4	98.5	1138501024	1138601024
3.0"	104.8	22.2	93.320 x 6 TPI WHIT	84.1	111.6	1138501030	1138601030
4.0"	130	22.2	118.720 x 6 TPI WHIT	109.7	138	1138501040	1138601040
6.0"	184	24	169.520 x 6 TPI WHIT	163	197	1138501060	1138601060



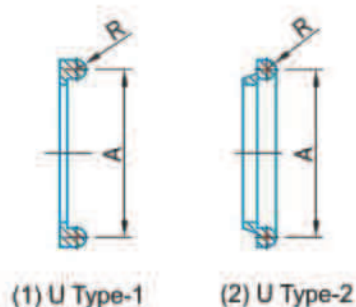
RJT Expanding Liner **RJT-14R**

SIZE	A	D	L	Part Number
1.0"	41.3	25.5	20	1138901010
1.5"	54.0	38.2	24	1138901014
2.0"	66.7	50.9	28	1138901020
2.5"	79.4	63.6	32	1138901024
3.0"	92.1	76.3	32	1138901030
4.0"	117.5	101.7	32	1138901040



RJT Expanding Male **RJT-15R**

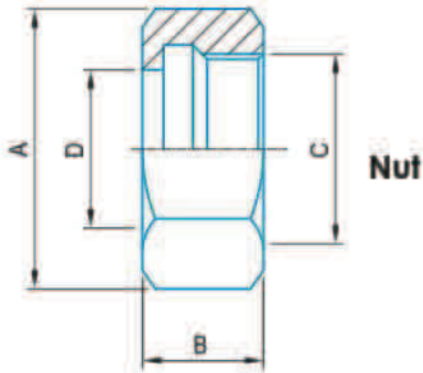
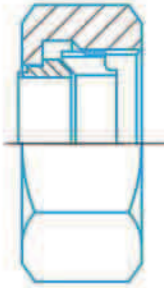
SIZE	C	D	L	Part Number
1.0"	45.72 x 8T WHIT	25.5	20	1139001010
1.5"	58.42 x 8T WHIT	38.2	24	1139001014
2.0"	72.72 x 6T WHIT	50.9	28	1139001020
2.5"	85.42 x 6T WHIT	63.6	32	1139001024
3.0"	98.12 x 6T WHIT	76.3	32	1139001030
4.0"	123.52 x 6T WHIT	101.7	32	1139001040



RJT Seal U-Ring

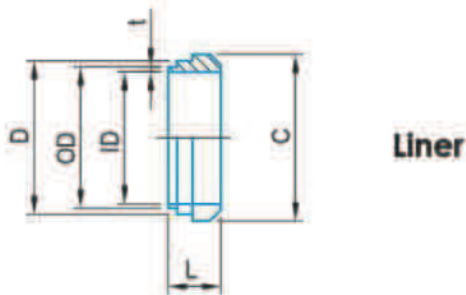
SIZE	A	R	Part Number (EPDM)	
			Seal-Type 1	Seal-Type 2
1.0"	33.3	3.2	11401010100	11402010100
1.5"	46.0	3.2	11401010140	11402010140
2.0"	58.7	3.2	11401010200	11402010200
2.5"	71.4	3.2	11401010240	11402010240
3.0"	84.1	3.2	11401010300	11402010300
4.0"	109.5	3.2	11401010400	11402010400

3A UNION PARTS 3A 由任



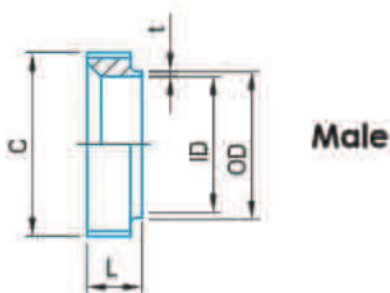
3A Hexagonal Nut 3A-13H

SIZE	A	B	C	D	Part Number
1.0"	46	23	38.02 ACME 8TPI	30.3	1130001010
1.5"	61.1	24.6	51.54 ACME 8TPI	43.4	1130001014
2.0"	76.2	27	65.05 ACME 8TPI	56.5	1130001020
2.5"	91.3	29.6	78.56 ACME 8TPI	69.6	1130001024
3.0"	106.4	32.5	92.08 ACME 8TPI	82.7	1130001030
4.0"	137.6	38.1	120.14 ACME 6TPI	108.9	1130001040



3A Short Liner 3A-14PRF

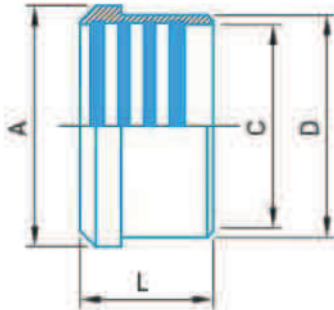
SIZE	OD/ID x t	C	D	L	Part Number
1.0"	25.4/22.1 x 1.65	33.3	29.5	18.3	1130101010
1.5"	38.1/34.8 x 1.65	46.8	42.6	18.3	1130101014
2.0"	50.8/47.5 x 1.65	60.3	55.7	19.1	1130101020
2.5"	63.5/60.2 x 1.65	73.8	68.8	22.3	1130101024
3.0"	76.2/72.9 x 1.65	87.3	81.9	23.1	1130101030
4.0"	101.6/97.6 x 2.0	114.3	108.1	26.2	1130101040



3A Short Male 3A-15TRF

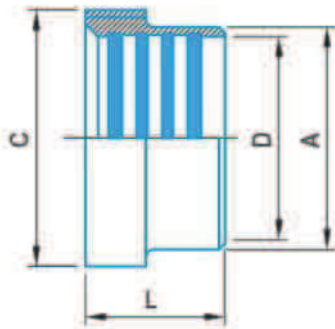
SIZE	C	OD/ID x t	L	Part Number
1.0"	37.13 ACME 8TPI	25.4/22.1 x 1.65	18.3	1130201010
1.5"	50.65 ACME 8TPI	38.1/34.8 x 1.65	18.3	1130201014
2.0"	64.17 ACME 8TPI	50.8/47.5 x 1.65	19.1	1130201020
2.5"	77.67 ACME 8TPI	63.5/60.2 x 1.65	22.2	1130201024
3.0"	91.19 ACME 8TPI	76.2/72.9 x 1.65	23.1	1130201030
4.0"	119.25 ACME 6TPI	101.6/97.6 x 2.0	26.2	1130201040

3A RECESSLESS UNION PARTS 3A 擴管式由任



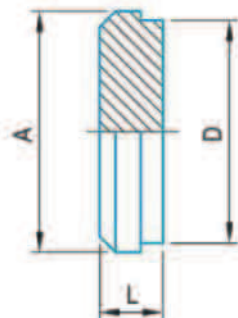
3A Recessless Liner

SIZE	A	C	D	L	Part Number
1.0'	33.3	25.5	29.5	19.1	1130501010
1.5'	46.8	38.2	42.6	28.6	1130501014
2.0'	60.3	50.9	55.7	33.3	1130501020
2.5'	73.8	63.6	68.8	34.9	1130501024
3.0'	87.3	76.3	81.9	36.5	1130501030
4.0'	114.3	101.7	108.1	38.1	1130501040



3A Recessless Male

SIZE	A	C	D	L	Part Number	
1.0'	29.5	37.13	ACME 8TPI	25.5	20.6	1130601010
1.5'	42.6	50.65	ACME 8TPI	38.2	28.6	1130601014
2.0'	55.7	64.17	ACME 8TPI	50.9	34.9	1130601020
2.5'	68.8	77.67	ACME 8TPI	63.6	38.1	1130601024
3.0'	81.9	91.19	ACME 8TPI	76.3	41.3	1130601030
4.0'	108.1	119.25	ACME 6TPI	101.7	41.3	1130601040



3A Cap (3A-16A)

SIZE	A	D	L	Part Number
1.0'	33.3	29.5	11.9	1130701010
1.5'	46.8	42.6	14.3	1130701014
2.0'	60.3	55.7	15.9	1130701020
2.5'	73.8	68.8	16.7	1130701024
3.0'	87.3	81.9	18.3	1130701030
4.0'	114.3	108.1	20.6	1130701040



EAT

詠晟科技股份有限公司
EVERFIT TECHNOLOGY CO., LTD.

台灣 彰化縣和美鎮柑竹路89號
No.89, Ganzhu Rd., Hemei Township,
Changhua County 508, Taiwan

+886-4-7573121
+886-4-7573134
www.egtmake.com.tw
eft@eft.com.tw

