



# VACUUM COMPONENTS



詠晟科技股份有限公司 EVERFIT TECHNOLOGY CO., LTD.



EVERFIT



詠晟科技股份有限公司之前身為茗陽工業股份有限公司，創立於1976年，主要從事不銹鋼管配件之專業製造廠。產品範圍包括：衛生食品級管接頭 (Sanitary Fittings)、管束(Clamps)、閥類(Valves)，半導體用真空法蘭 (Vacuum Flange)，BPE級生化製藥用管接頭(BPE Ferrules)等。另也承製各式不銹鋼鍛造、加工之客製品服務。

公司於2005年在彰化近郊成立鍛造廠，佔地1500平方公尺，設有2條生產線從事各類零組件之熱作鍛造，並自行開發模具製作，大量縮短產品之製作時程與降低生產成本，提升產品競爭力。

為提高產品之完整性與擴大滿足客戶之需求，詠晟公司於2009年中與雄駿公司完成合併，加強各類閥門之開發與組裝業務，並將業務項目延伸到建築五金用不銹鋼零組件之製作。

2011年底完成和美新廠，廠房總面積約有4000平方公尺；冀望因寬敞的新環境與順暢的流程規劃，能為客戶提供更好與更有競爭的服務，努力達成公司的品質政策：『品質第一、服務至上』。

## About the company



Everfit Technology Co.,Ltd., formerly known as Ming Yang Industry Co., Ltd., established in 1976, mainly engaged in professional manufacturing of stainless steel pipe fittings.

Product range includes : Sanitary fittings, Clamps, Valves, Vacuum Flange, BPE ferrules, etc. And we also contract to produce a variety of stainless steel products, forging and processing of customization service.

We form the forging factory in Chang Hua in 2005, covers an area of 1,500 square meters. In addition, we set up two production lines specializing in various parts of the hot forging and develop molding by ourselves. Because of that, we can save a lot of time and cost of the manufacture side and enhance the competitiveness of products.

In order to improve the integrity and expansion of products to meet customer's demand, in 2009 we combine with Shiung Jiun Enterprise for business joint venture to enhance the development of various types of valves and fabrication business, and also extend to building hardware components of stainless steel production.

We expect to complete the new factory buildings in Hemei in 2011 and the total area is around 4,000 square meters. Hope we can use more spacious environment and smooth flow planning to provide more competitive and better services to our customers, at the same time, we will work very hard to reach the company's quality policy: Quality and service is our priority mission.

詠晟科技株式会社は、前身を茗陽工業株式会社と言い、1976年に創立されました。主にステンレス配管パーツの製造を行っております。製品の内訳としては、食品製造用管の継ぎ手・クランプ・バルブ類、半導体用の真空フランジ、BPEのバイオ製薬用管のジョイント等があります。他に、各種ステンレスの鍛造、加工等お客様の御注文に応じる「カスタマイズ」サービスを承っております。

弊社は2005年に彰化近郊に鍛造工場を設立しました。敷地面積は1500㎡で、2本の生産ラインを持ち、各種部品の熱間鍛造を行っております。また、自社で金型の開発及び製作を行い、生産時間の短縮とコストの削減をはかり、競争力の向上を目指しております。

製品の完全性を高め、顧客の要求にお答えするために、詠晟株式会社は、2009年に雄駿株式会社と合併し、各種バルブ類の開発と組み立て業務を強化し、業務内容においても建築用ステンレス金具の部品製作にまで拡大しました。

2011年には和美の新工場が完成し、工場の総面積は約4000㎡となりました。広々とした環境とスムーズな工場プロセス計画により、お客様によりよい、また、より競争力のあるサービスを提供できるよう、また、弊社の品質管理のモットーである「品質第一、サービス至上」を達成できるよう、努力いたします。

# Index

## PRODUCTION EQUIPMENT page 5~6

## INSPECTION EQUIPMENT page 7

## KF FLANGE SERIES page 8~21

- ▶ KF BLANK FLANGE
- ▶ KF BORED BLANK FLANGE
- ▶ KF SHORT WELD STUB FLANGE
- ▶ KF SHORT WELD STUB FLANGE (EUROPE)
- ▶ KF LONG WELD STUB FLANGE
- ▶ KF LONG WELD STUB (EUROPE) FLANGE
- ▶ KF SOCKET WELD FLANGE
- ▶ KF CERTER RING
- ▶ NW BLANK FLANGE (JIS TYPE)
- ▶ NW SHORT WELD STUB FLANGE (JIS TYPE)
- ▶ NW LONG WELD STUB FLANGE (JIS TYPE)
- ▶ NW SHORT WELD STUB FLANGE (JIS SPECIAL)
- ▶ NW LONG WELD STUB FLANGE (JIS SPECIAL)
- ▶ NW CERTER RING +O-RING (JIS TYPE)
- ▶ KF BLANK STUBS FLANGE
- ▶ KF SINGLE PIN CLAMP(AL)
- ▶ KF SINGLE PIN CLAMP(SS)
- ▶ KF DOUBLE PIN CLAMP(AL+NI)

## ISO FLANGE SERIES page 22~27

- ▶ ISO BLANK FLANGE
- ▶ ISO BORED BLANK FLANGE
- ▶ ISO BORED BLANK BOLTED FLANGE
- ▶ ISO BORED BLANK BOLTED FLANGE- TAPPED
- ▶ ISO SINGLE WALL CLAMP(AL)
- ▶ ISO SINGLE WALL CLAMP(SS)
- ▶ ISO DOUBLE WALL CLAMP(AL)
- ▶ ISO DOUBLE CLAW CLAMP(SS)

## CF FLANGE SERIES page 28~35

- ▶ CF BLANK FLANGE
- ▶ CF BLANK TAPPED FLANGE
- ▶ CF BORED BLANK FLANGE
- ▶ CF BORED BLANK TAPPED FLANGE
- ▶ CF ROTATABLE BLANK FLANGE
- ▶ CF ROTATABLE BLANK TAPPED FLANGE
- ▶ CF ROTATABLE BORED BLANK FLANGE
- ▶ CF ROTATABLE BORED BLANK TAPPED FLANGE
- ▶ CF COPPER GASKET
- ▶ CF PLATE NUT

## BELLOW SERIES page 36~38

- ▶ KF COMPRESSIBLE BELLOW CONNECTIONS
- ▶ ISO COMPRESSIBLE BELLOW CONNECTIONS
- ▶ CF COMPRESSIBLE BELLOW CONNECTIONS
- ▶ WELDED BELLOW

## FITTING SERIES page 39~47

- ▶ KF 90° ELBOW
- ▶ KF TEES
- ▶ KF 4 WAY CROSSES
- ▶ KF 4 WAY CROSSES (EUROPE)
- ▶ ISO 90° ELBOW
- ▶ CF 90° ELBOW
- ▶ CONICAL REDUCERS
- ▶ 90° ELBOW
- ▶ 90° ELBOW WITH TANGENTS
- ▶ 45° ELBOW
- ▶ 45° ELBOW WITH TANGENTS
- ▶ EQUAL TEES
- ▶ UNEQUAL TEES
- ▶ EQUAL 4 WAY CROSSES
- ▶ UNEQUAL 4 WAY CROSSES

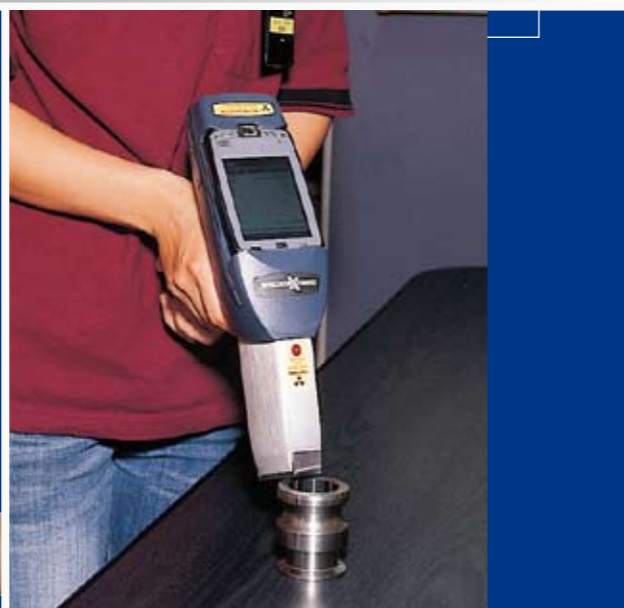
## ADAPTOR SERIES page 48~50

- ▶ KF CONICAL REDUCING ADAPTOR
- ▶ KF RUBBER HOSE ADAPTOR
- ▶ KF MALE PIPE ADAPTOR
- ▶ KF FEMALE PIPE ADAPTOR

# PRODUCTION EQUIPMENT



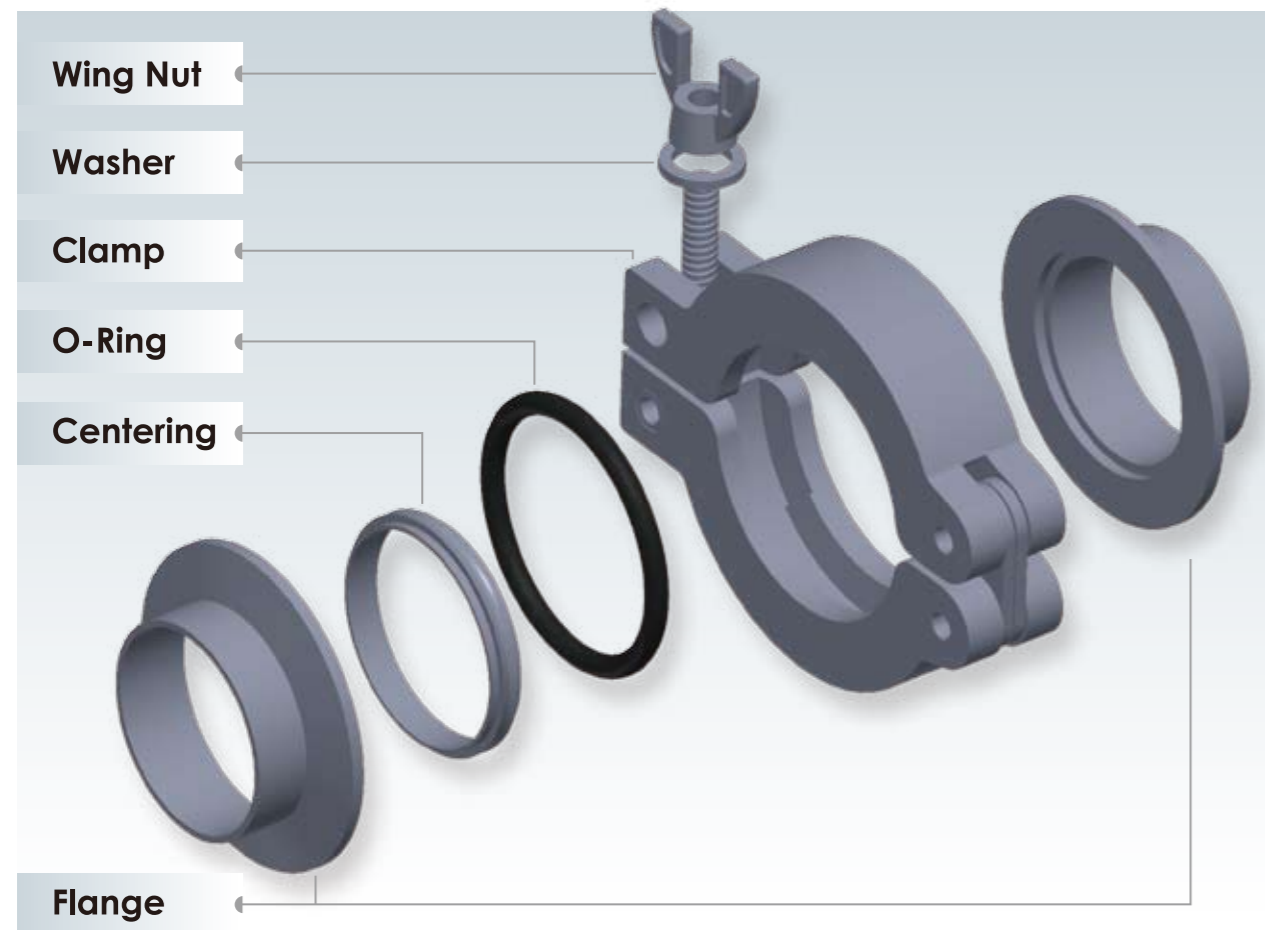
# INSPECTION EQUIPMENT



## KF FLANGE Series



## ► KF FLANGE CONNECTION WITH CLAMPS



### Characteristic:

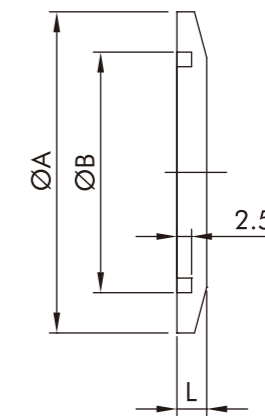
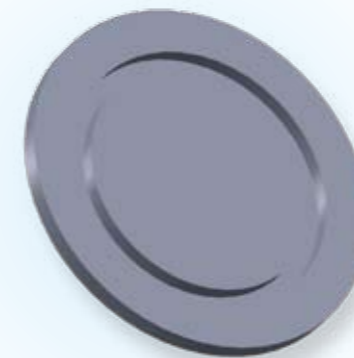
- Easy Assembly and Quick Disassembly manually without tools-KF or NW assembly comprises two flanges, a center-ring, an O-ring and an aluminum clamp or stainless steel clamp with a wingnut fastener for quick and fast connection.
- Uniform Pressure to Effect Vacuum Seal Connection-15° taper surface of KF/NW flange allows uniform pressure to compress an O-ring, which is held in place by metal center-ring, by the clamp to generate a vacuum seal.

### Material and Size

- Flanges, Blanks, Fitting: Material S.S.304
- Clamps: Material Aluminum or S.S. 304
- O-ring : Material Viton
- Sizes: KF10~KF160, JIS Standard: NW10~NW100

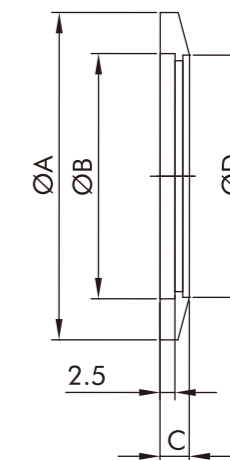
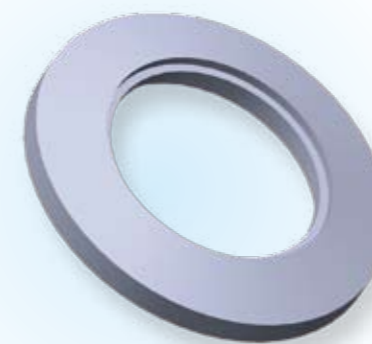
Materials S.S.304, 304L, 316L and Sizes can be customized per customers'designs and requirements.

## ► KF Blank Flange



SIZE	A	B	L	Parts No
KF10	30	12.2	5.1	SABL-0400
KF16	30	17.2	5.1	SABL-0600
KF25	40	26.2	5.1	SABL-1000
KF40	55	41.2	5.1	SABL-1400
KF50	75	52.2	5.1	SABL-2000
KF63	87	70	5.1	SABL-2400
KF80	114	83	11.0	SABL-3000
KF100	134	102	11.0	SABL-4000
KF160	190	153	11.0	SABL-6000

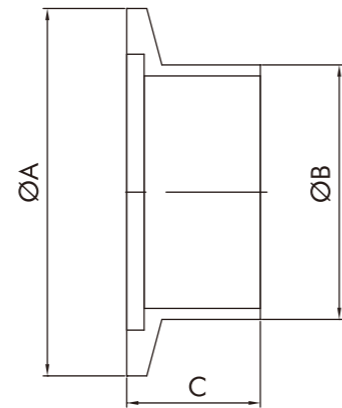
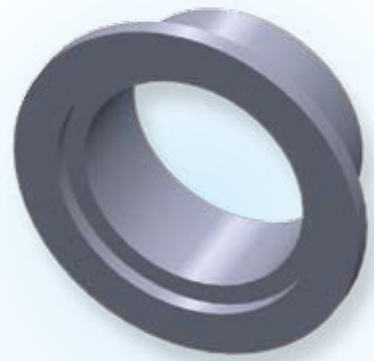
## ► KF Bored Blank Flange



SIZE	A	B	C	D	Parts No
KF10	30	12.2	5	12.9	SABB-0400
KF16	30	17.2	5	19.3	SABB-0600
KF25	40	26.2	5	25.7	SABB-1000
KF40	55	41.2	5	38.4	SABB-1400
KF50	75	52.2	5	51.0	SABB-2000
KF63	87	70	5	63.7	SABB-2400
KF80	114	83	12	76.4	SABB-3000
KF100	134	102	12	101.8	SABB-4000
KF160	190	153	12	152.9	SABB-6000

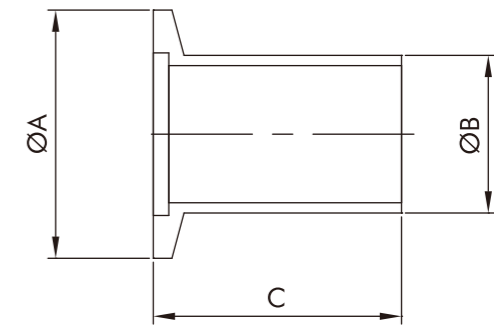
Materials S.S.304, 304L, 316L and Sizes can be customized per customers'designs and requirements.

## ►KF Short Weld Stub Flange



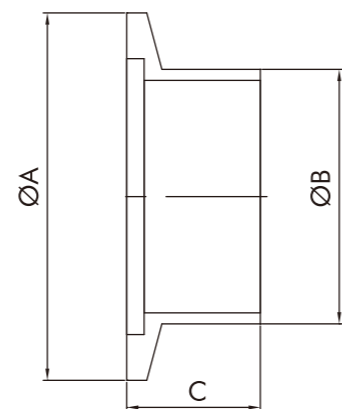
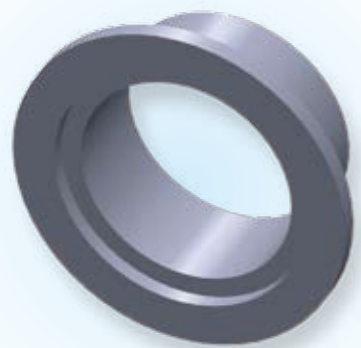
SIZE	Standard	A	B	C	Parts No
KF10	U.S.A	30	12.7	12.70	SAS0-0400
KF16	U.S.A	30	19.1	12.70	SAS0-0600
KF25	U.S.A	40	25.4	12.70	SAS0-1000
KF40	U.S.A	55	38.1	19.10	SAS0-1400
KF50	U.S.A	75	50.8	19.10	SAS0-2000

## ►KF Long Weld Stub Flange



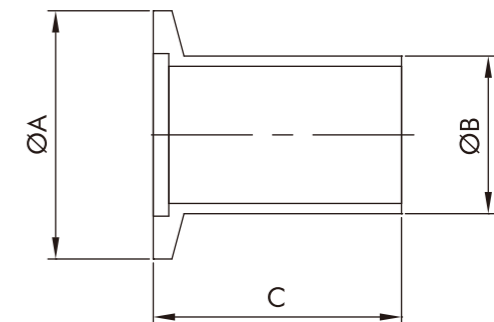
SIZE	Standard	A	B	C	Parts No
KF10	U.S.A	30	12.7	40	SAL0-0400
KF16	U.S.A	30	19.1	40	SAL0-0600
KF25	U.S.A	40	25.4	40	SAL0-1000
KF40	U.S.A	55	38.1	40	SAL0-1400
KF50	U.S.A	75	50.8	40	SAL0-2000

## ►KF Short Weld Stub Flange (Europe)



SIZE	Standard	A	B	C	Parts No
KF10	Europe	30	14	30	SES0-0400
KF16	Europe	30	20	30	SES0-0600
KF25	Europe	40	28	30	SES0-1000
KF40	Europe	55	45	30	SES0-1400
KF50	Europe	75	57	30	SES0-2000

## ►KF Long Weld Stub (Europe) Flange

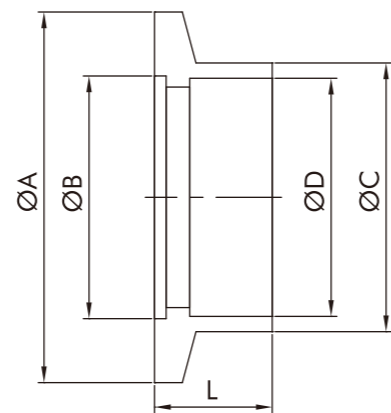


SIZE	Standard	A	B	C	Parts No
KF10	Europe	30	14	70	SEL0-0400
KF16	Europe	30	20	70	SEL0-0600
KF25	Europe	40	28	70	SEL0-1000
KF40	Europe	55	45	70	SEL0-1400
KF50	Europe	75	57	70	SEL0-2000

Materials S.S.304, 304L, 316L and Sizes can be customized per customers' designs and requirements.

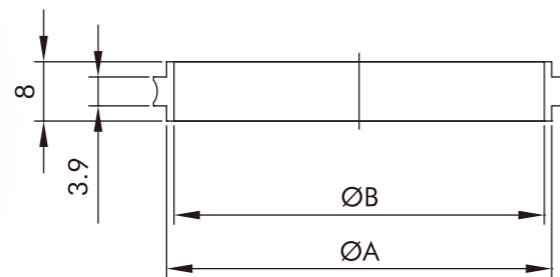
Materials S.S.304, 304L, 316L and Sizes can be customized per customers' designs and requirements.

## ► KF Socket Weld Flange



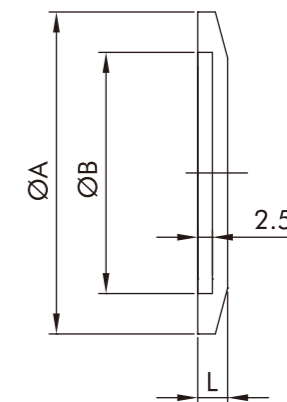
SIZE	A	B	C	D	L	Parts No
KF10	30	12.2	16.5	13	12.7	SASW-0400
KF16	30	17.2	20.5	19.3	12.7	SASW-0600
KF25	40	26.2	29	25.7	12.7	SASW-1000
KF40	55	41.2	44.7	38.4	12.7	SASW-1400
KF50	75	52.2	57.4	51	12.7	SASW-2000
KF63	87	70	67.5	63.7	12.7	SASW-2400

## ► KF Center Ring

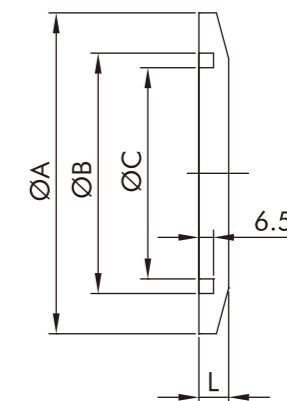
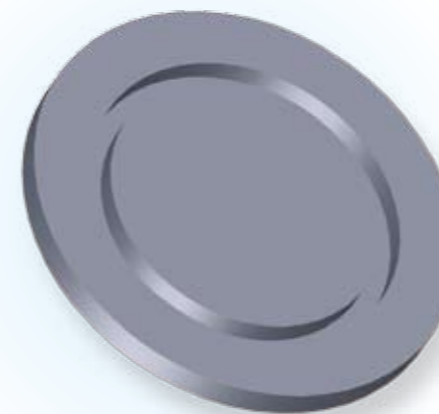


SIZE	A	B	Parts No
NW10	12	10	SACG-0400
NW16	17	16	SACG-0600
NW25	26	25	SACG-1000
NW40	41	40	SACG-1400
NW50	52	50	SACG-2000
NW63	69.6	67.5	SACG-2400
NW80	82.5	79.8	SACG-3000
NW100	101.6	100	SACG-4000

## ► NW Blank Flange (JIS Type)



SIZE	A	B	L	Parts No
NW10	30	12.2	5	SJBL-0400
NW16	30	17.2	5	SJBL-0600
NW25	40	26.2	5	SJBL-1000
NW40	55	41.2	5	SJBL-1400
NW50	75	52.2	5	SJBL-2000
NW63	87	70.2	5	SJBL-2400



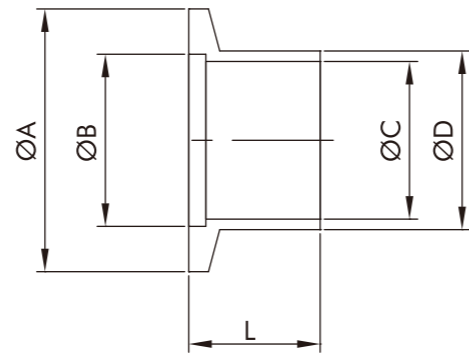
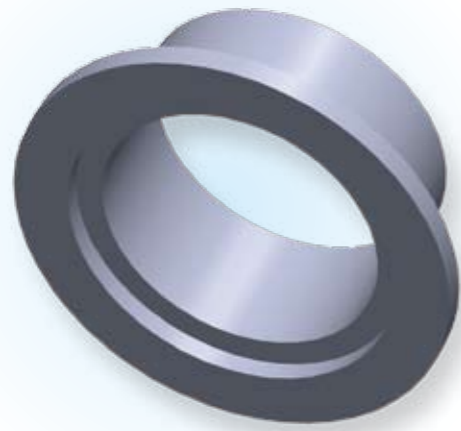
SIZE	A	B	C	L	Parts No
NW80	114	83	73	11	SJBL-3000
NW100	134	102	92	11	SJBL-4000

Materials S.S.304, 304L, 316L and Sizes can be customized per customers' designs and requirements.

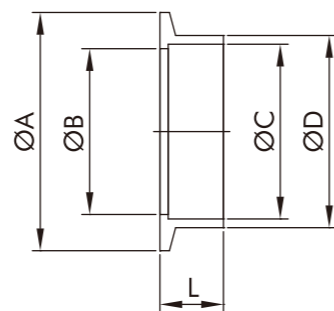
Materials S.S.304, 304L, 316L and Sizes can be customized per customers' designs and requirements.



## NW Short Weld Stub Flange (JIS Type)



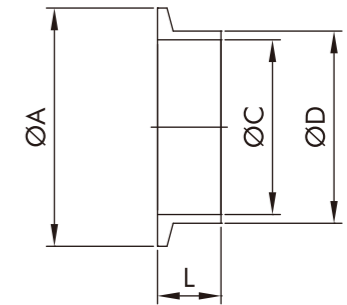
SIZE	A	B	C	D	L	Parts No
NW10	30	12.2	10	13.8	10	SJS1-0400
NW16	30	17.2	16	20.0	10	SJS1-0600
NW10	30	12.2	10	13.8	20	SJS0-0400
NW16	30	17.2	16	20.0	20	SJS0-0600
NW25	40	26.2	24	27.2	20	SJS0-1000
NW40	55	41.2	39	42.7	20	SJS0-1400



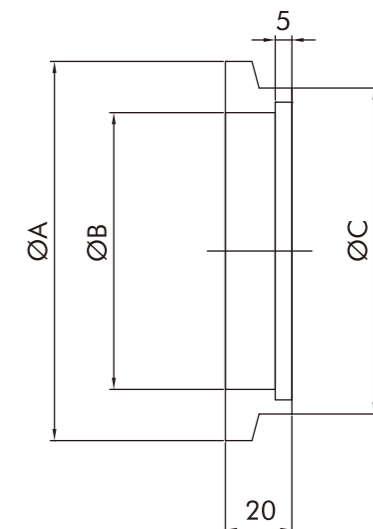
SIZE	A	B	C	D	L	Parts No
NW50	75	52.2	55	60.5	20	SJS0-2000

Materials S.S.304, 304L, 316L and Sizes can be customized per customers' designs and requirements.

## NW Short Weld Stub Flange (JIS Type)



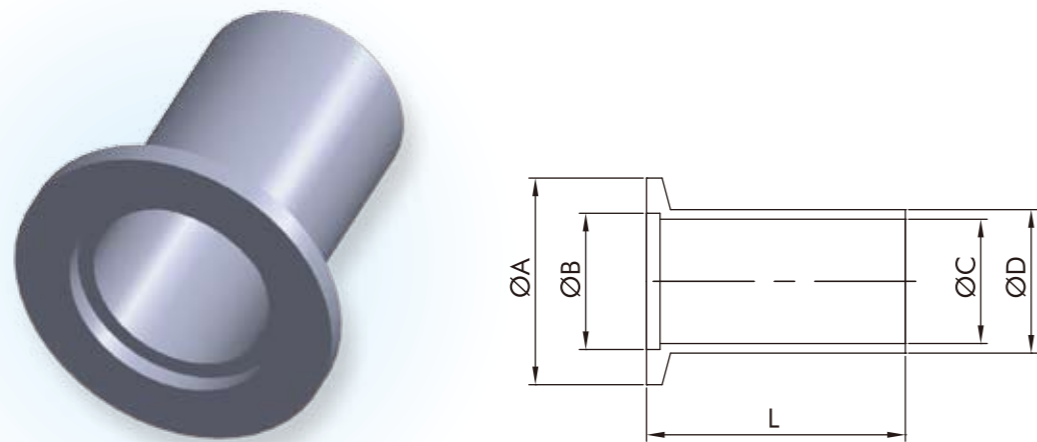
SIZE	A	B	C	D	L	Parts No
NW63	87	-	70.2	76.3	20	SJS0-2400



SIZE	A	B	C	L	Parts No
NW80	114	83.3	98	20	SJS0-3000
NW100	134	102	118	20	SJS0-4000

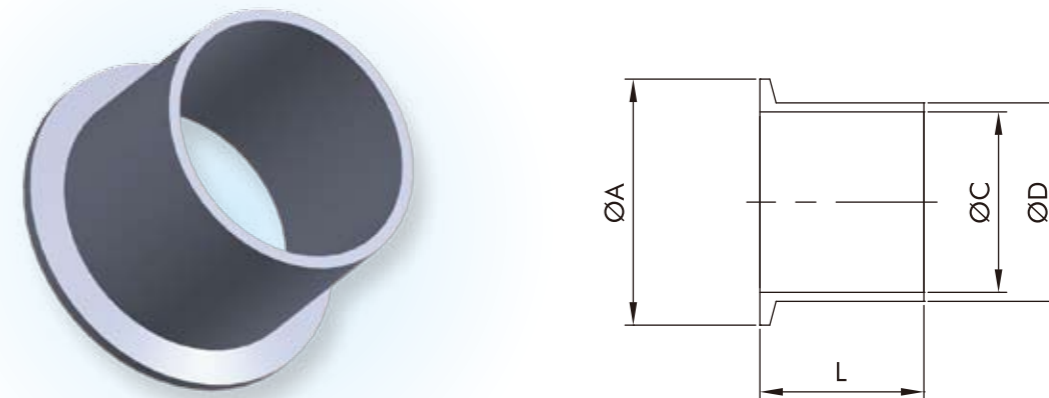
Materials S.S.304, 304L, 316L and Sizes can be customized per customers' designs and requirements.

### ►NW Long Weld Stub Flange (JIS Type)



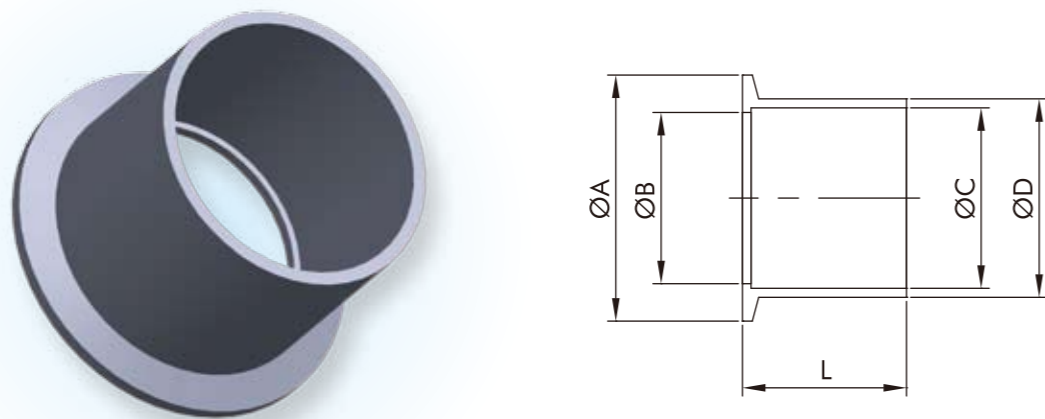
SIZE	A	B	C	D	L	Parts No
NW10	30	12.2	10	13.8	50	SJLO-0400
NW16	30	17.2	16	20.0	50	SJLO-0600
NW25	40	26.2	24	27.2	50	SJLO-1000
NW40	55	41.2	39	42.7	50	SJLO-1400

### ►NW Long Weld Stub Flange (JIS Type)

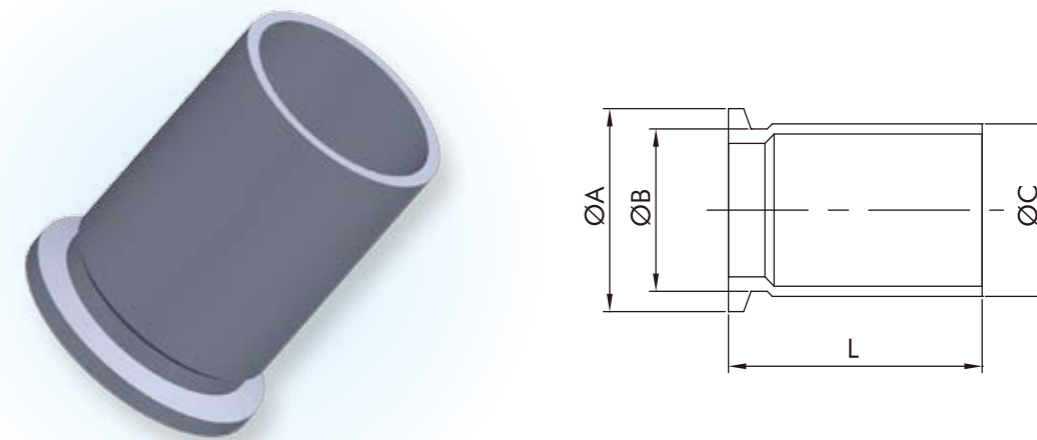


SIZE	A	B	C	D	L	Parts No
NW63	87	-	70.2	76.3	50	SJLO-2400

### ►NW Long Weld Stub Flange (JIS Type Special Size)



SIZE	A	B	C	D	L	Parts No
NW50	75	52.2	55	60.5	50	SJLO-2000

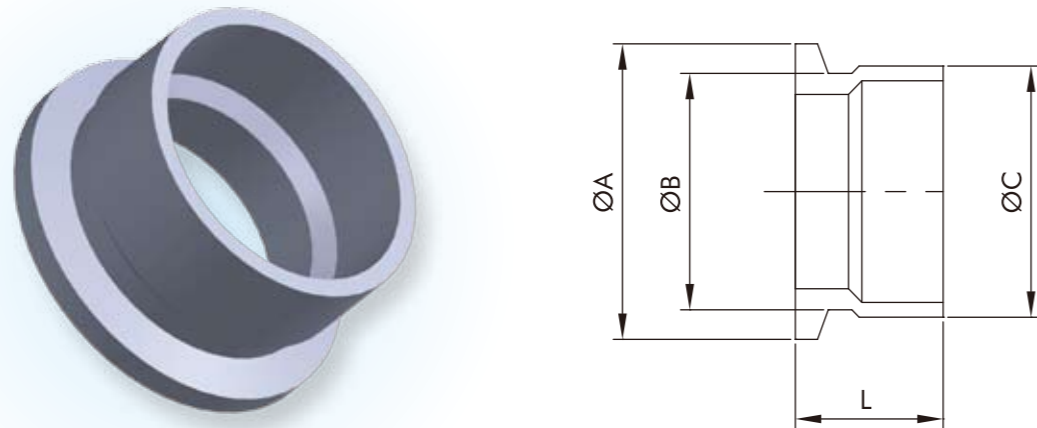


SIZE	A	B	C	L	Parts No
NW25	40	32	34	50	SJLB-1000
NW40	55	45	48.6	50	SJLB-1400

Materials S.S.304, 304L, 316L and Sizes can be customized per customers' designs and requirements.

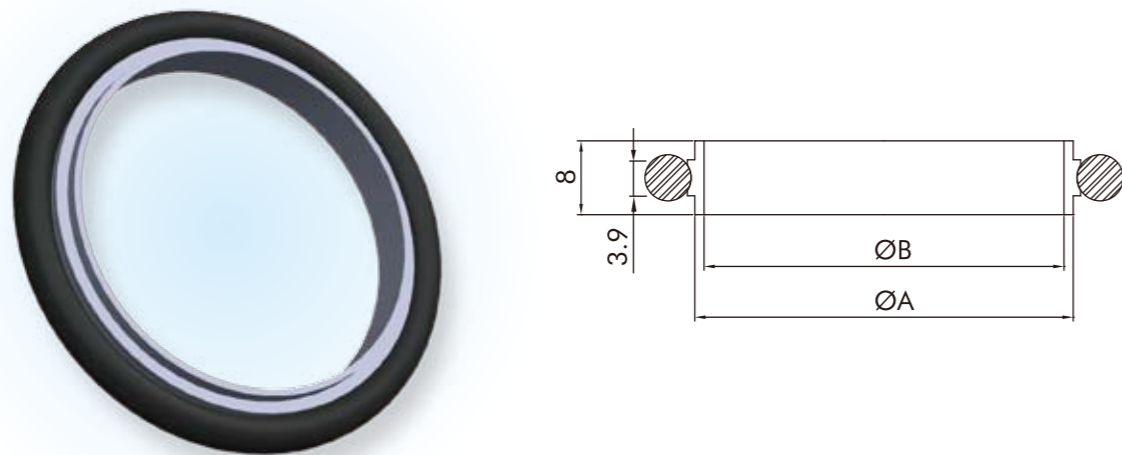
Materials S.S.304, 304L, 316L and Sizes can be customized per customers' designs and requirements.

### ►NW Short Weld Stub Flange (JIS Type Special Size)



SIZE	A	B	C	L	Parts No
NW25	40	32	34	20	SJSB-1000
NW40	55	45	48.6	20	SJSB-1400

### ►NW Center Ring+ O-Ring (JIS Type)



SIZE	A	B	Parts No
NW10	12	10	SJCG-0400
NW16	17	16	SJCG-0600
NW25	26	25	SJCG-1000
NW40	41	40	SJCG-1400
NW50	52	50	SJCG-2000
NW63	70	68	SJCG-2400
NW80	83	81	SJCG-3000
NW100	102	100	SJCG-4000

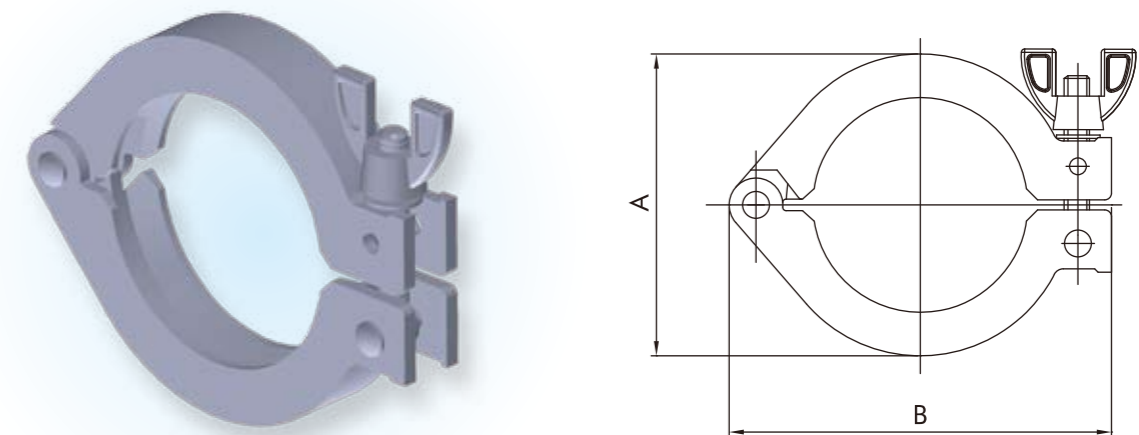
Materials S.S.304, 304L, 316L and Sizes can be customized per customers' designs and requirements.

### ►KF Blank Stubs Flange



SIZE	A	L	Parts No
KF10	19.05	19.05	SASB-0400
KF16	19.05	19.05	SASB-0600
KF25	25.4	19.05	SASB-1000
KF40	38.1	25.4	SASB-1400
KF50	50.8	25.4	SASB-2000

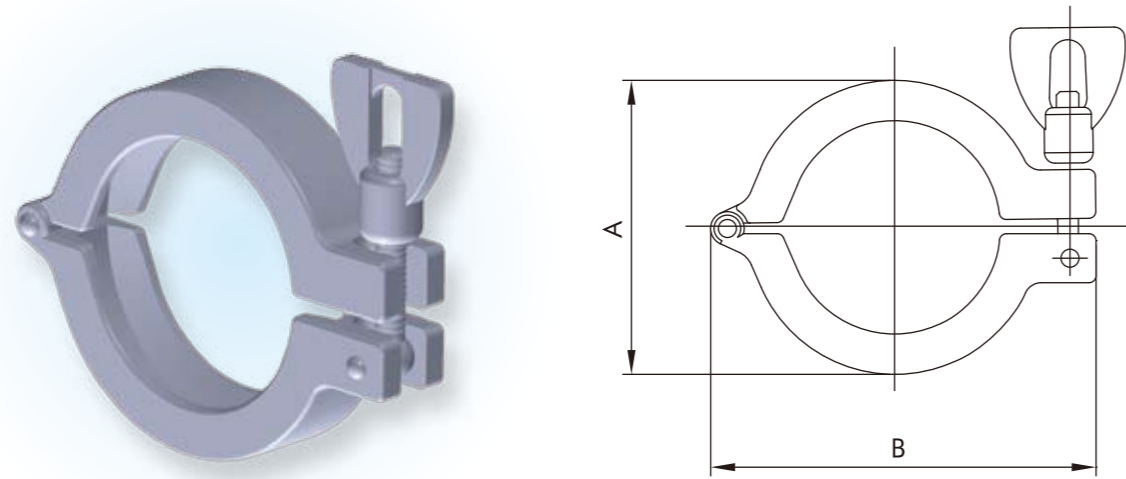
### ►KF Single Pin Clamp



SIZE	Material	A	B	Parts No
KF16	Aluminum	42.5	63	CAVO-0600
KF25	Aluminum	54	72	CAVO-1000
KF40	Aluminum	70	90	CAVO-1400
KF50	Aluminum	90	114	CAVO-2000

Materials S.S.304, 304L, 316L and Sizes can be customized per customers' designs and requirements.

► KF Single Pin Clamp



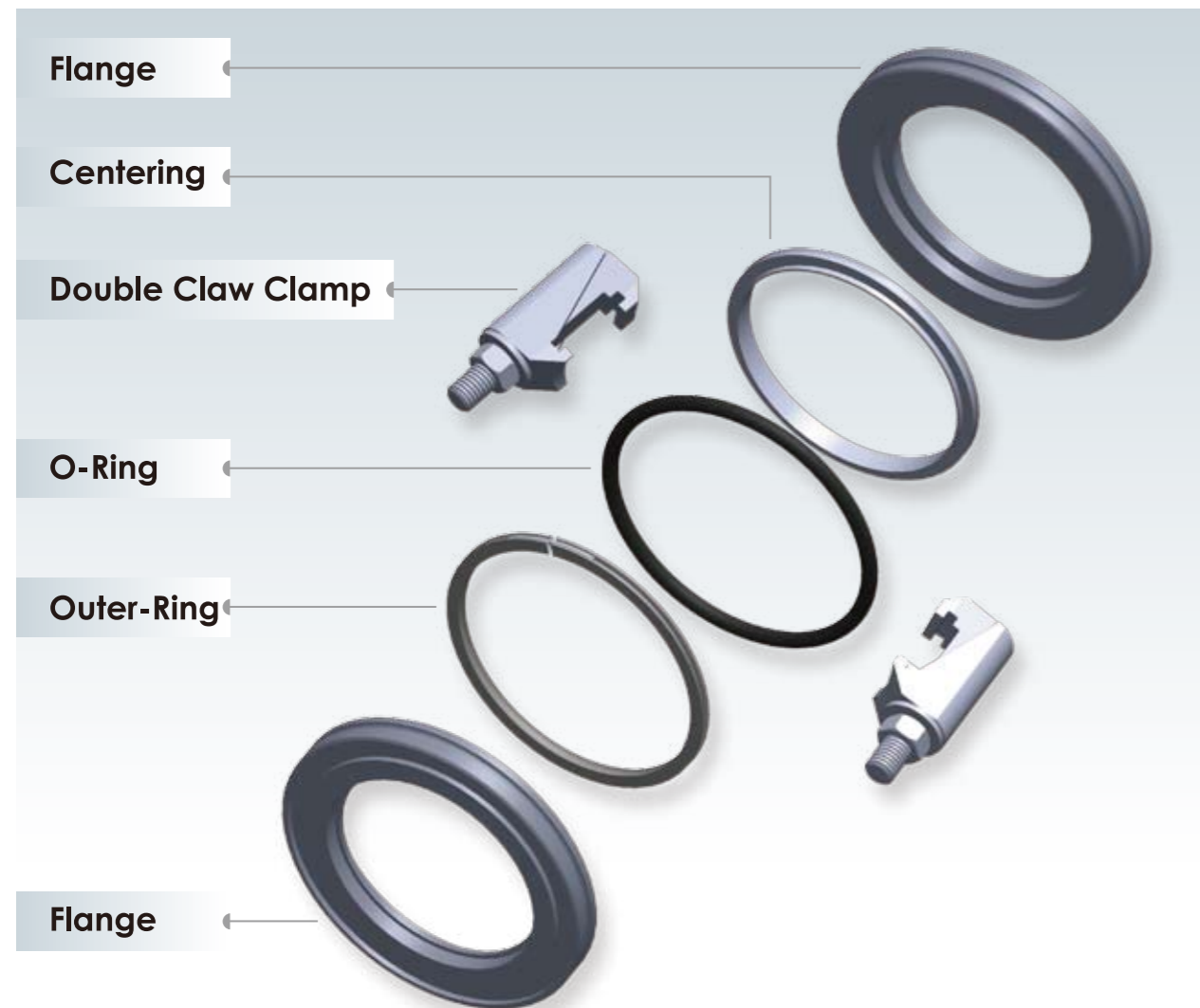
SIZE	Material	A	B	Parts No
KF16	304S.S.	39	60	CVVS-0600
KF25	304S.S.	50	74	CVVS-1000
KF40	304S.S.	66	89	CVVS-1400
KF50	304S.S.	84	111	CVVS-2000

# ISO FLANGE Series



產品停售  
Discontinued

## ISO Flange Connection With Clamp



### Characteristic:

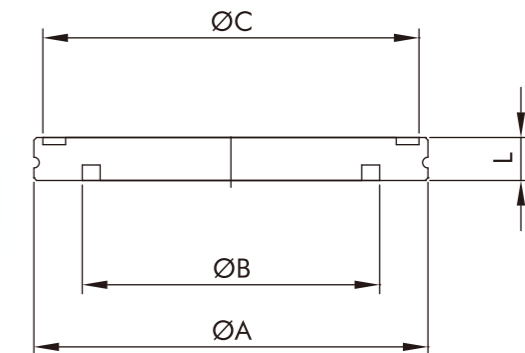
- ISO Flange series are in accordance with International Standards Operation Standard, which are compatible to other makers' standard.
- ISO Flange assembly:
  - a. ISO Clamp type- comprises two ISO flanges , a Center Ring with O-ring, and a double wall clamp or a double claw clamp.
  - b. ISO Bolt type- comprises two ISO bolted flanges, a Center Ring with O-ring, bolt screws, washers and nuts.

### Material and Size:

- Flanges, Blanks, Fitting: Material S.S.304
- Clamps: Material Aluminum or S.S. 304
- O-ring : Material Viton
- Sizes: ISO63~ISO160

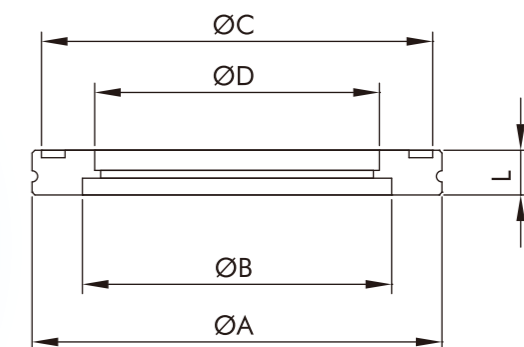
Materials S.S.304, 304L, 316L and Sizes can be customized per customers'designs and requirements.

## ISO Blank Flange



SIZE	A	B	C	L	Parts No
ISO63	95	70	90	12	SOBL-2400
ISO80	110	83	105	12	SOBL-3000
ISO100	130	102	125	12	SOBL-4000
ISO160	180	153	175	12	SOBL-6000

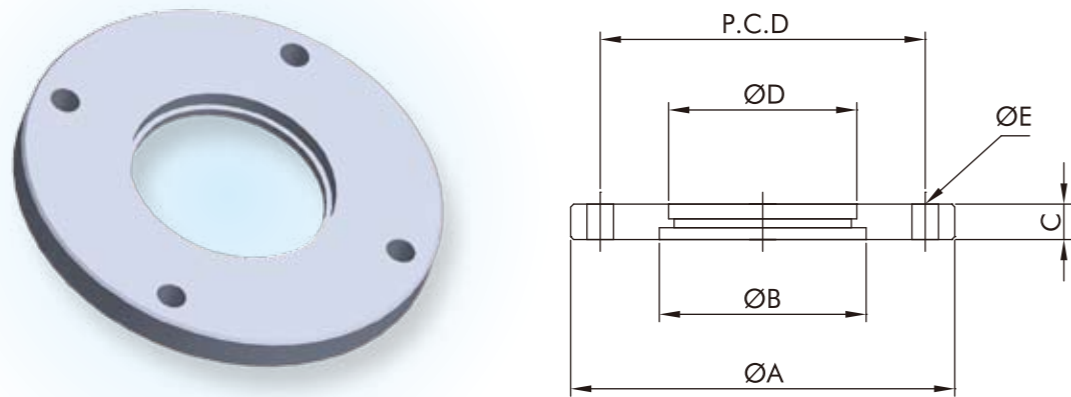
## ISO Bored Blank Flange



SIZE	A	B	C	D	L	Parts No
ISO63	95	70	90	63.7	12	SOBB-2400
ISO80	110	83	105	76.4	12	SOBB-3000
ISO100	130	102	125	101.8	12	SOBB-4000
ISO160	180	153	175	152.9	12	SOBB-6000

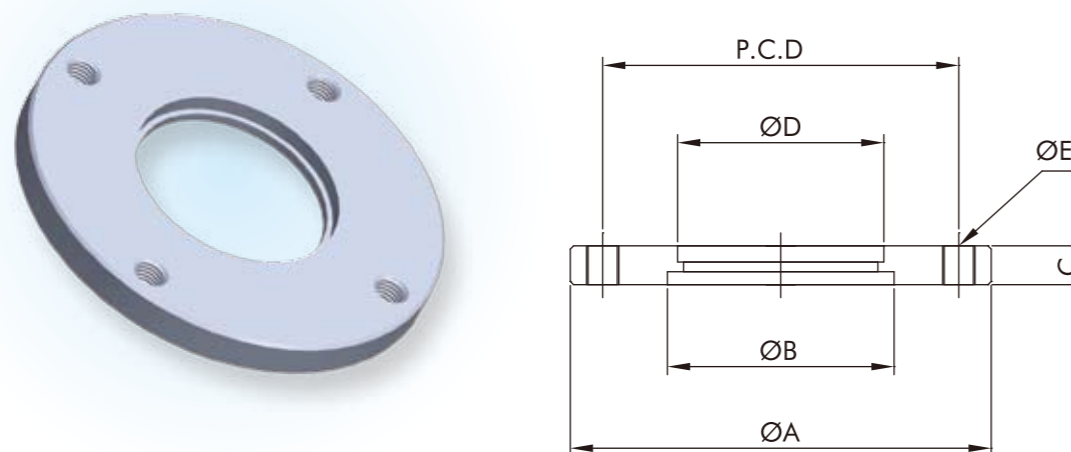
Materials S.S.304, 304L, 316L and Sizes can be customized per customers'designs and requirements.

## ISO Bored Blank Bolted Flange



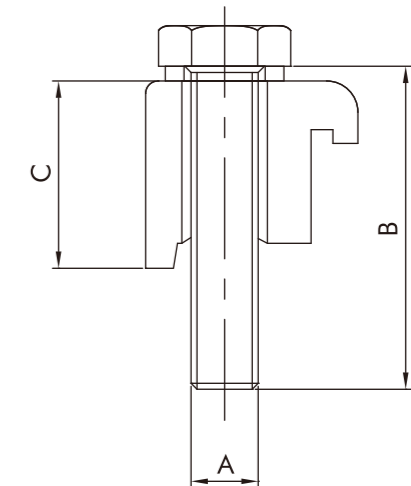
SIZE	A	B	C	D	E	P.C.D	Parts No
ISO63	130	70	12	63.7	9*4	110	SOBF-2400
ISO80	145	83	12	76.4	9*8	125	SOBF-3000
ISO100	165	102	12	101.8	9*8	145	SOBF-4000
ISO160	225	153	16	152.9	11*8	200	SOBF-6000

## ISO Bored Blank Bolted Flange-Tapped



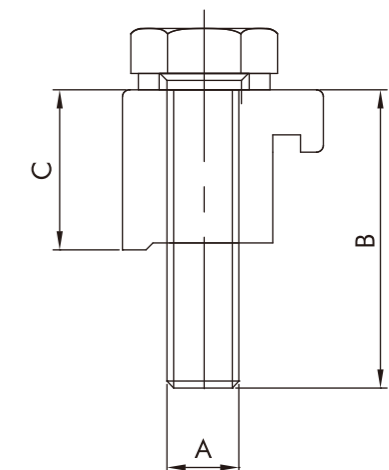
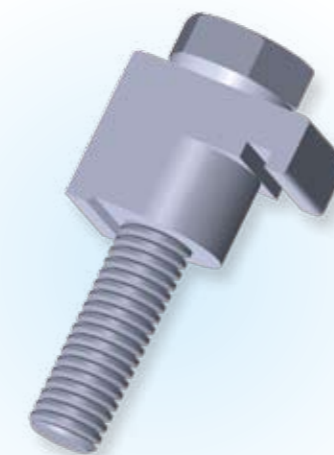
SIZE	A	B	C	D	E	P.C.D	Parts No
ISO63	130	70	12	63.7	M8*4	110	SOTF-2400
ISO80	145	83	12	76.4	M8*8	125	SOTF-3000
ISO100	165	102	12	101.8	M8*8	145	SOTF-4000
ISO160	225	153	16	152.9	M10*8	200	SOTF-6000

## ISO Single Wall Clamp



SIZE	Material	A	B	C	Parts No
ISO63-100	Aluminum	M8	35	23.5	COS1-4000
ISO160-250	Aluminum	M10	35	23.5	COS2-A000
ISO320-500	Aluminum	M12	50	30	COS3-2A00

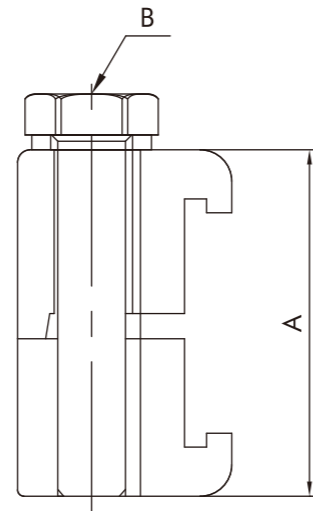
## ISO Single Wall Clamp



SIZE	Material	A	B	C	Parts No
ISO63-100	304S.S.	M8	35	23	COS1-4000
ISO160-250	304S.S.	M10	35	23	COS2-A000
ISO320-500	304S.S.	M12	50	30	COS3-2A00
ISO63-100	Steel+Zn Plated	M8	35	23	COS1-40ZN
ISO160-250	Steel+Zn Plated	M10	35	23	COS2-A0ZN
ISO320-500	Steel+Zn Plated	M12	50	30	COS3-2AZN

Materials S.S.304, 304L, 316L and Sizes can be customized per customers' designs and requirements.

► ISO Double Wall Clamp



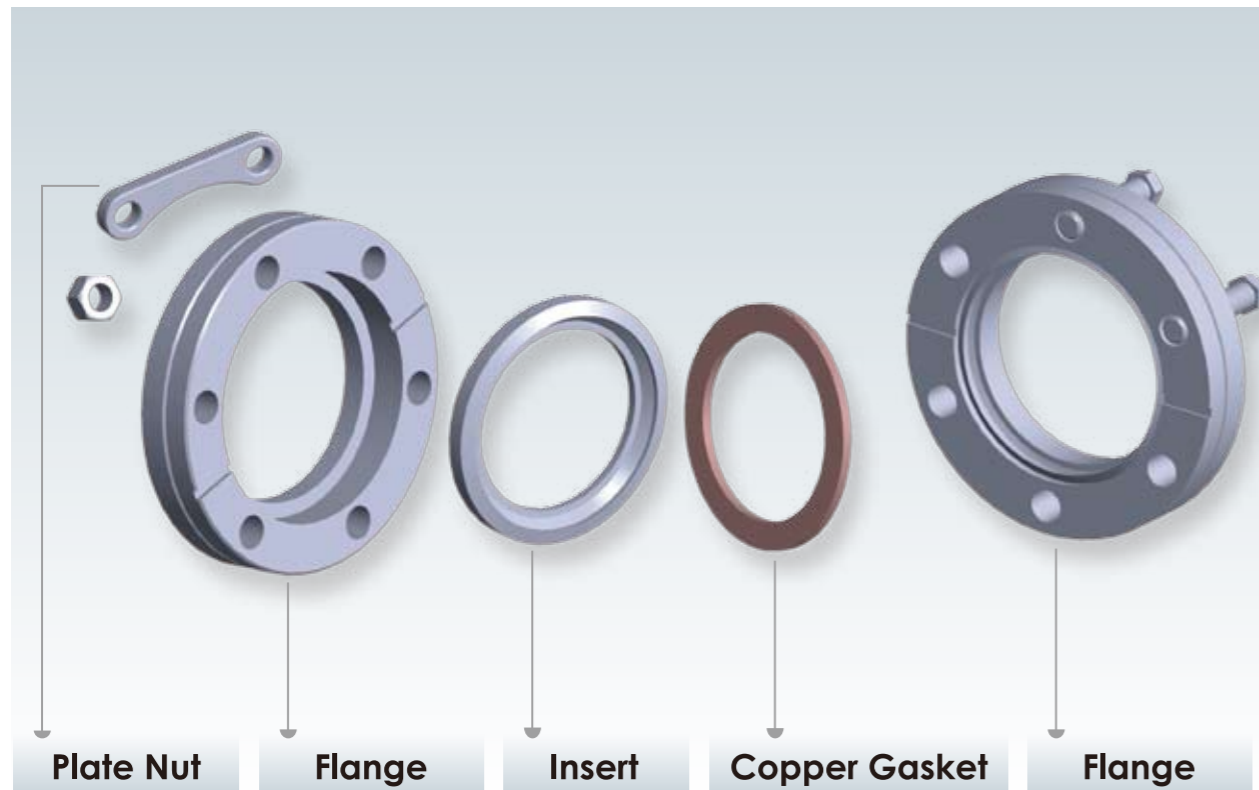
SIZE	Material	A	B	Parts No
ISO63-100	Aluminum	45	M8	COD1-4000
ISO160-250	Aluminum	45	M10	COD2-A000
ISO320-500	Aluminum	60	M12	COD3-2A00

# CF FLANGE Series

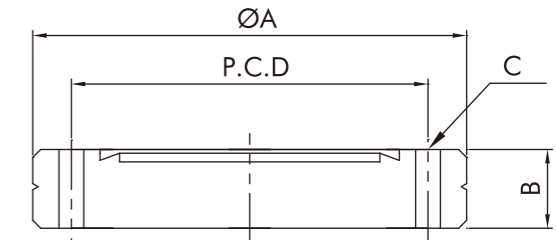
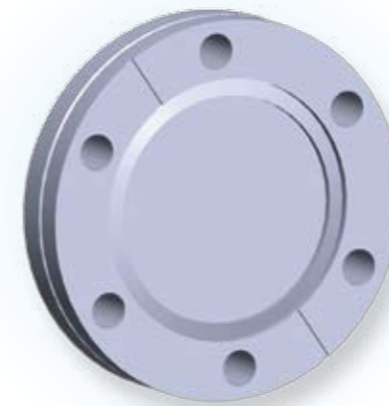


產品停售  
Discontinued

## CF FLANGE CONNECTION WITH BOLTS AND NUTS



## CF Blank Flange



SIZE	A	B	C*No	P.C.D	Parts No
CF16	33.8	7.5	4.4*6	26.9	SCBH-0600
CF35	69.5	12.7	6.7*6	58.7	SCBH-1400
CF63	113.6	18	8.4*8	92.1	SCBH-2400
CF100	151.6	20	8.4*16	130.3	SCBH-4000
CF150	202.5	22	8.4*20	181	SCBH-6000

### Characteristic:

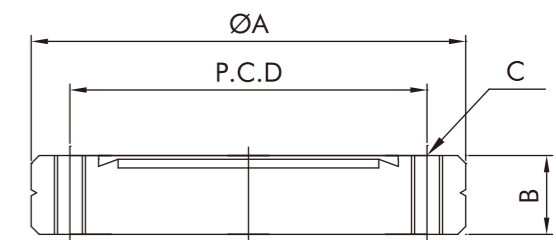
- CF Flange assembly comprises two CF flanges, a flat copper gasket, insert, bolts and Nuts.
- CF Flange design Option:
  - CF Flange blank or CF Bored Flange blank
  - CF Tapped Hole Flange or Untapped Hole Flange
  - CF Nonrotatable Flange or Rotatable Flange

### Material and Size

- Flanges, Blanks, Fitting: Material S.S.304
- Gaskets : Material Copper
- Sizes: CF16~CF150

Materials S.S.304, 304L, 316L and Sizes can be customized per customers' designs and requirements.

## CF Blank Tapped Flange

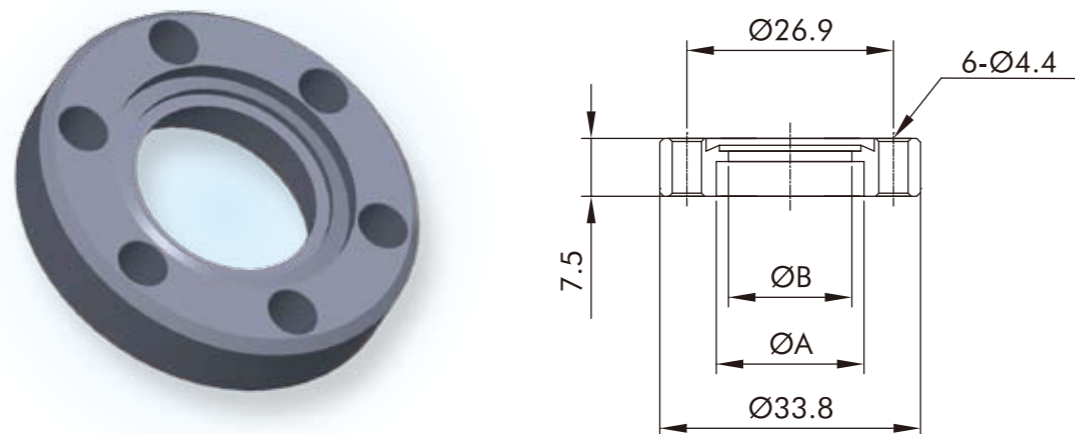


SIZE	A	B	C*No	P.C.D	Parts No
CF16	33.8	7.5	M4*6	26.9	SCBT-0600
CF35	69.5	12.7	M6*6	58.7	SCBT-1400
CF63	113.6	18	M8*8	92.1	SCBT-2400
CF100	151.6	20	M8*16	130.3	SCBT-4000
CF150	202.5	22	M8*20	181	SCBT-6000

Materials S.S.304, 304L, 316L and Sizes can be customized per customers' designs and requirements.

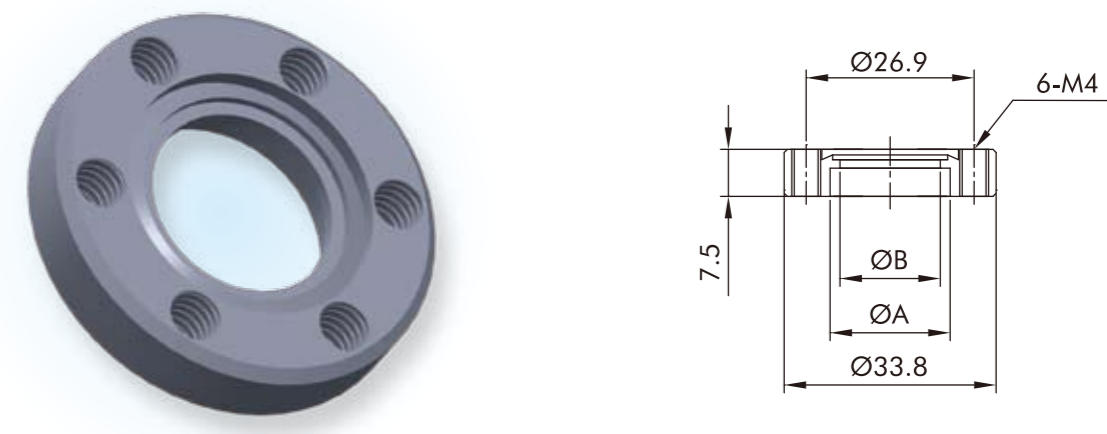


### CF Bored Blank Flange



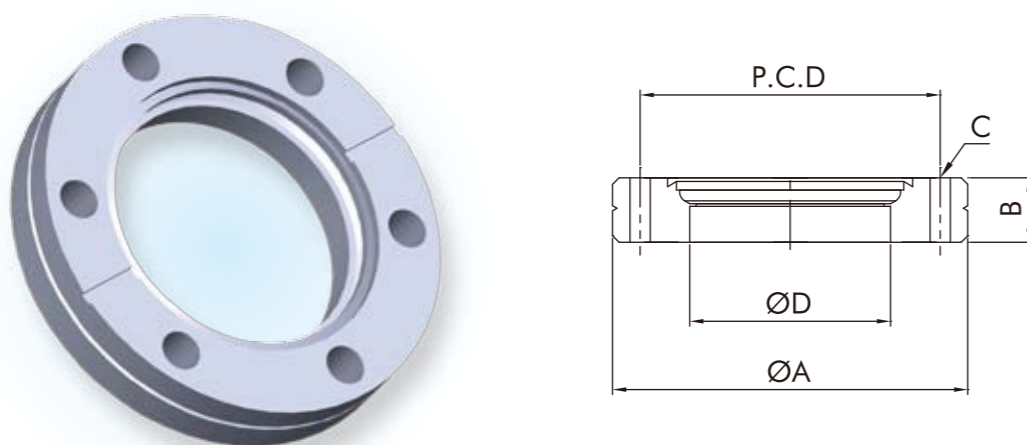
SIZE	A	B	Parts No
CF16-06	6.5	5.5	SCHH-0606
CF16-12	12.9	10.4	SCHH-0612
CF16-19	19.15	16	SCHH-0619

### CF Bored Blank Tapped Flange



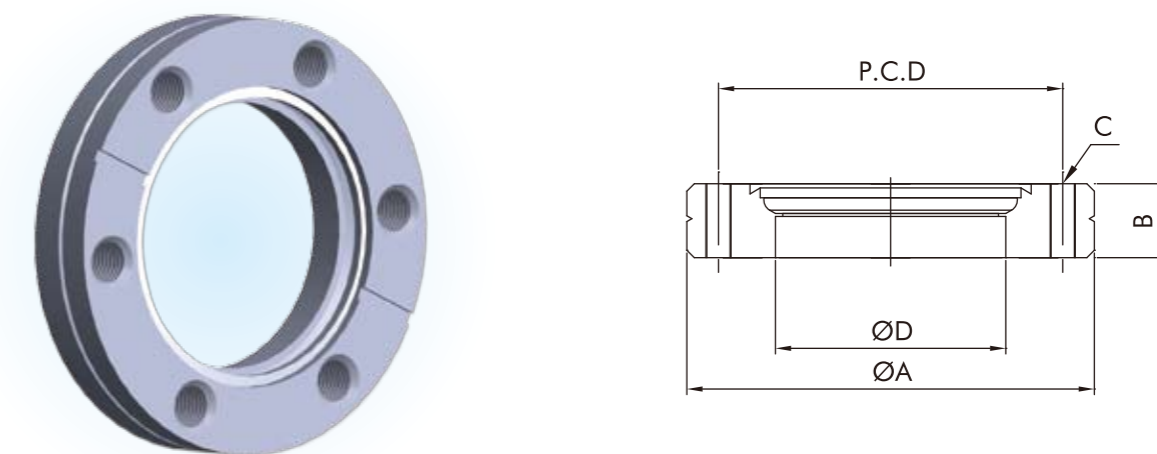
SIZE	A	B	Parts No
CF16-06	6.5	5.5	SCHT-0606
CF16-12	12.9	10.4	SCHT-0612
CF16-19	19.15	16	SCHT-0619

### CF Bored Blank Flange



SIZE	A	B	C*No	D	P.C.D	Parts No
CF35-25	69.5	12.7	6.7*6	25.6	58.7	SCHH-1425
CF35-38	69.5	12.7	6.7*6	38.3	58.7	SCHH-1438
CF35-41	69.5	12.7	6.7*6	41.3	58.7	SCHH-1441
CF63-51	113.6	18	8.4*8	51.1	92.1	SCHH-2451
CF63-63	113.6	18	8.4*8	63.7	92.1	SCHH-2463
CF100-100	151.6	20	8.4*16	101.8	130.3	SCHH-4000

### CF Bored Blank Tapped Flange

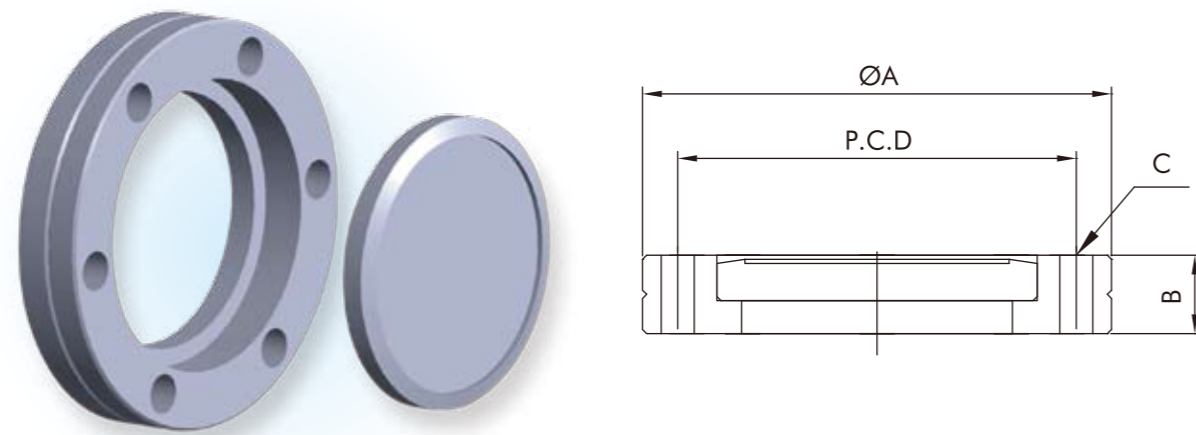


SIZE	A	B	C*No	D	P.C.D	Parts No
CF35-25	69.5	12.7	M6*6	25.6	58.7	SCHT-1425
CF35-38	69.5	12.7	M6*6	38.3	58.7	SCHT-1438
CF35-41	69.5	12.7	M6*6	41.3	58.7	SCHT-1442
CF63-51	113.6	18	M8*8	51.1	92.1	SCHT-2451
CF63-63	113.6	18	M8*8	63.7	92.1	SCHT-2463
CF100-100	151.6	20	M8*16	101.8	130.3	SCHT-4000

Materials S.S.304, 304L, 316L and Sizes can be customized per customers' designs and requirements.

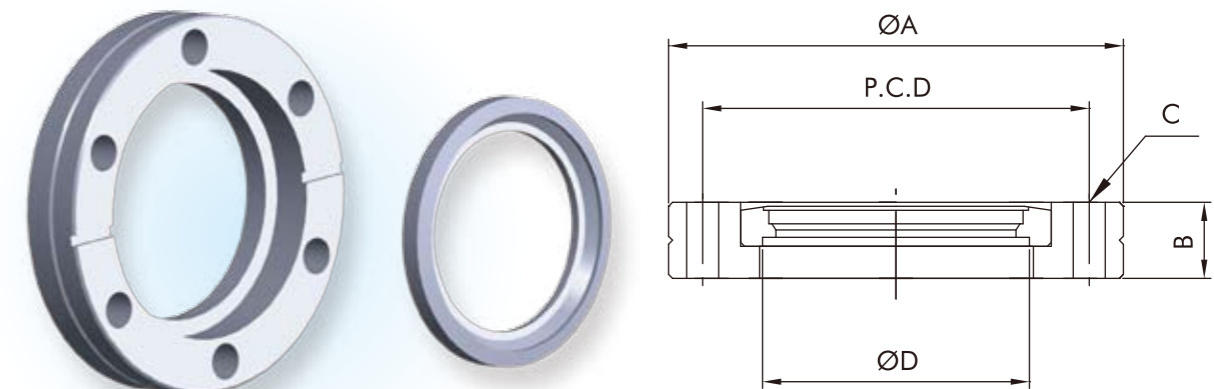
Materials S.S.304, 304L, 316L and Sizes can be customized per customers' designs and requirements.

## CF Rotatable Blank Flange



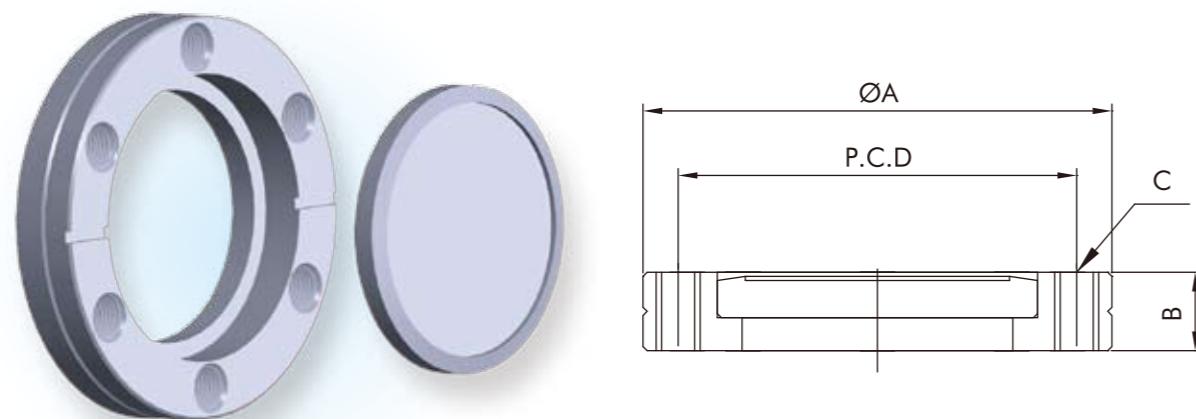
SIZE	A	B	C*No	P.C.D	Parts No
CF16	33.8	7.5	4.4*6	26.9	SCRBH-0600
CF35	69.5	12.7	6.7*6	58.7	SCRBH-1400
CF63	113.6	19	8.4*8	92.1	SCRBH-2400
CF100	151.6	21.5	8.4*16	130.3	SCRBH-4000
CF150	202.5	24	8.4*20	181	SCRBH-6000

## CF Rotatable Bored Blank Flange



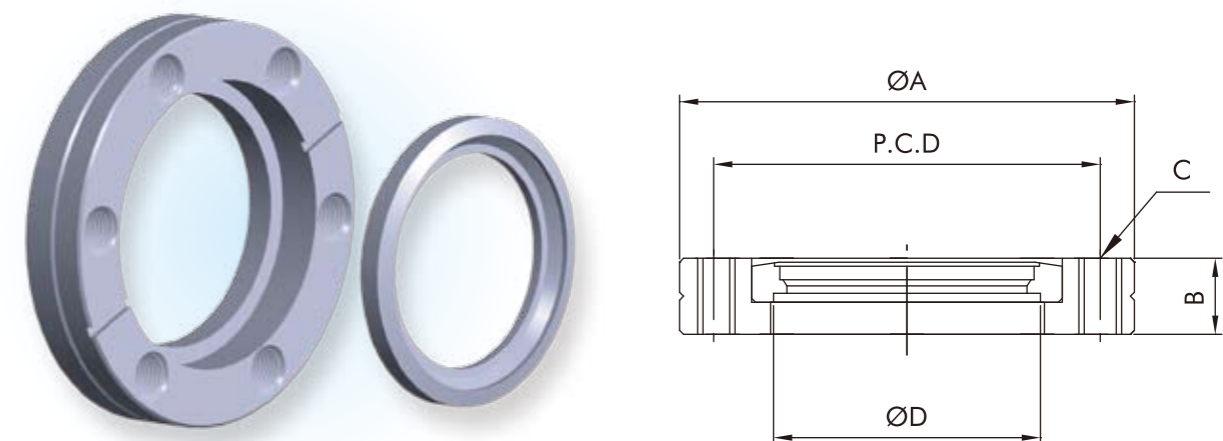
SIZE	A	B	C*No	D	P.C.D	Parts No
CF35-25	69.5	12.7	6.7*6	25.6	58.7	SCRHH-1425
CF35-38	69.5	12.7	6.7*6	38.3	58.7	SCRHH-1438
CF35-42	69.5	12.7	6.7*6	42.9	58.7	SCRHH-1442
CF63-51	113.6	19.0	8.4*8	51.1	92.1	SCRHH-2451
CF63-63	113.6	19.0	8.4*8	63.7	92.1	SCRHH-2463
CF100-102	151.6	21.5	8.4*16	101.8	130.3	SCRHH-4000
CF150-153	202.5	24.0	8.4*20	153.1	181.0	SCRHH-6000

## CF Rotatable Blank Tapped Flange



SIZE	A	B	C*No	P.C.D	Parts No
CF16	33.8	7.5	M4*6	26.9	SCRBT-0600
CF35	69.5	12.7	M6*6	58.7	SCRBT-1400
CF63	113.6	19	M8*8	92.1	SCRBT-2400
CF100	151.6	21.5	M8*16	130.3	SCRBT-4000
CF150	202.5	24	M8*20	181	SCRBT-6000

## CF Rotatable Bored Blank Tapped Flange

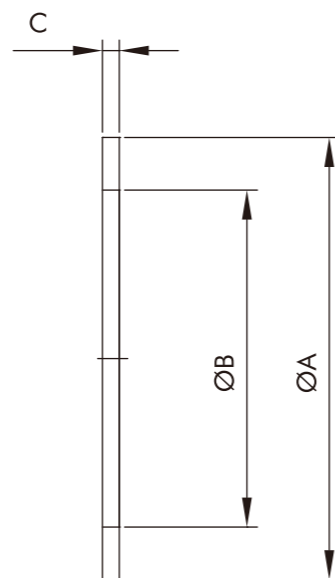


SIZE	A	B	C*No	D	P.C.D	Parts No
CF35-25	69.5	12.7	M6*6	25.6	58.7	SCRHT-1425
CF35-38	69.5	12.7	M6*6	38.3	58.7	SCRHT-1438
CF35-42	69.5	12.7	M6*6	42.9	58.7	SCRHT-1442
CF63-51	113.6	19.0	M8*8	51.1	92.1	SCRHT-2451
CF63-63	113.6	19.0	M8*8	63.7	92.1	SCRHT-2463
CF100-102	151.6	21.5	M8*16	101.8	130.3	SCRHT-4000
CF150-153	202.5	24.0	M8*20	153.1	181.0	SCRHT-6000

Materials S.S.304, 304L, 316L and Sizes can be customized per customers' designs and requirements.

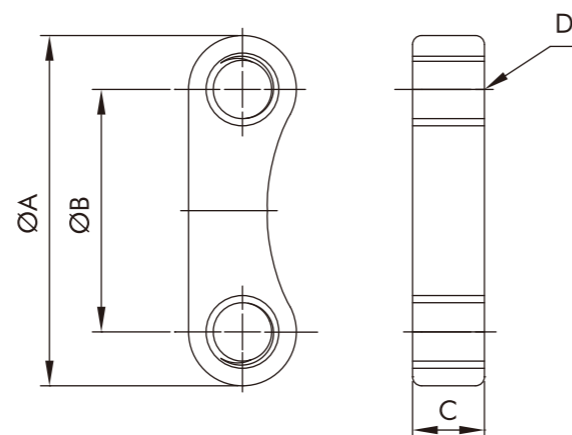
Materials S.S.304, 304L, 316L and Sizes can be customized per customers' designs and requirements.

## CF-Copper Gasket



SIZE	A	B	C	Parts No
CF16	21	16	2	SCGC-0600
CF35	48	37	2	SCGC-1400
CF63	82	63	2	SCGC-2400
CF100	120	101	2	SCGC-4000
CF150	171	152	2	SCGC-6000
CF200	222	203	2	SCGC-8000
CF250	272.7	254	2	SCGC-A000

## CF-Plate Nut



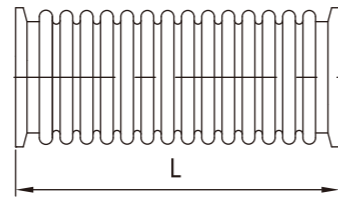
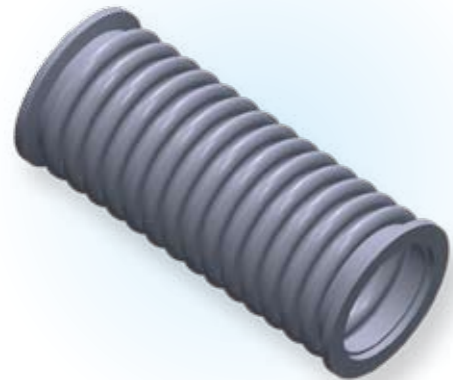
SIZE	A	B	C	D	Parts No
CF16PN	19.5	13.5	4	M4	SCPN-0600
CF35PN	39.5	29.5	6	M6	SCPN-1400
CF63PN	50.2	35.2	8	M8	SCPN-2400

Materials S.S.304, 304L, 316L and Sizes can be customized per customers' designs and requirements.

# BELLOWS Series

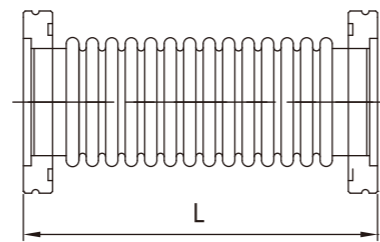


## ► KF Compressible Bellow Connections



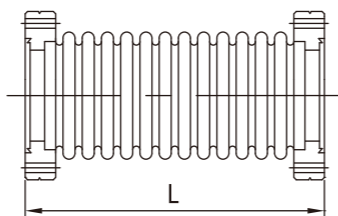
SIZE	L
KF16	Custom Made
KF25	Custom Made
KF40	Custom Made
KF50	Custom Made
KF63	Custom Made
KF80	Custom Made
KF100	Custom Made

## ► ISO Compressible Bellow Connections



SIZE	L
ISO63	Custom Made
ISO80	Custom Made
ISO100	Custom Made

## ► CF Compressible Bellow Connections



SIZE	L
CF16	Custom Made
CF25	Custom Made
CF40	Custom Made
CF63	Custom Made
CF80	Custom Made
CF100	Custom Made

## ► Welded Bellow- Custom Made



ITEM	DIAPHRAGM SIZE
1	OD19-8
2	OD26-12
3	OD26-15
4	OD31-17
5	OD33-21
6	OD34-14
7	OD36-24
8	OD38-26
9	OD38-16
10	OD40-20
11	OD42-19
12	OD44-19
13	OD44-26
14	OD46-32
15	OD48-25
16	OD48-35
17	OD49-36
18	OD50-32
19	OD51-31
20	OD51-36
21	OD51-38
22	OD53-37
23	OD54-40
24	OD55-35
25	OD55-42
26	OD55-43
27	OD58-46
28	OD60-40
29	OD62-49
30	OD76-51
31	OD82-57
32	OD84-71
33	OD85-59
34	OD89-65
35	OD-100-68
36	OD108-81
37	OD126-100
38	OD130-108
39	OD149-130
40	OD150-109
41	OD184-152
42	OD187-174
43	OD208-180
44	OD270-210
45	OD350-220

**Customized Welded Bellow For Vacuum ,  
We can supply per customers' design.**

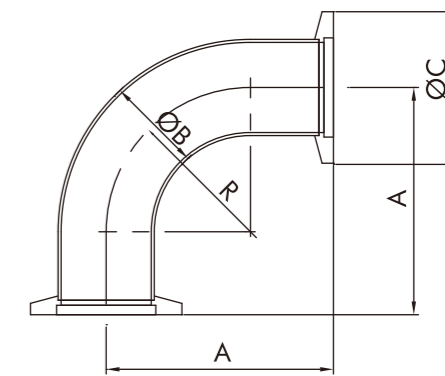
Materials S.S.304, 304L, 316L and Sizes can be customized per customers'designs and requirements.

Materials S.S.304, 304L, 316L and Sizes can be customized per customers'designs and requirements.

# FITTING Series



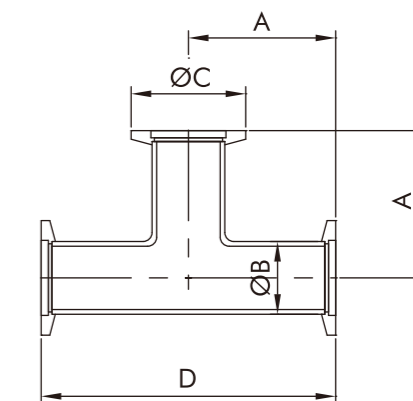
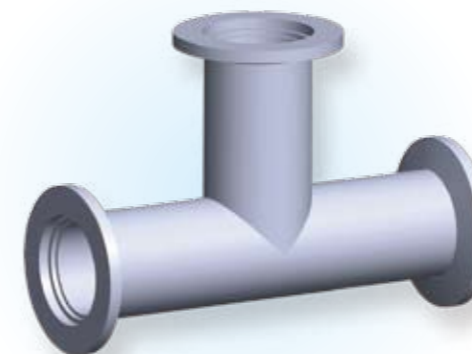
## ► KF 90° Elbow



SIZE	Standard	A	B	C	R	Parts No
KF16	U.S.A	38.3	19.05	30	28.6	EKAAC-0600
KF25	U.S.A	56.2	25.4	40	38.1	EKAAC-1000
KF40	U.S.A	78.4	38.1	55	57.2	EKAAC-1400
KF50	U.S.A	107	50.8	75	76.2	EKAAC-2000

SIZE	Standard	A	B	C	R	Parts No
KF16	Europe	40	19.05	30	28.6	EKEAC-0600
KF25	Europe	50.8	25.4	40	38.1	EKEAC-1000
KF40	Europe	65	38.1	55	57.2	EKEAC-1400
KF50	Europe	80	50.8	75	76.2	EKEAC-2000

## ► KF Tees

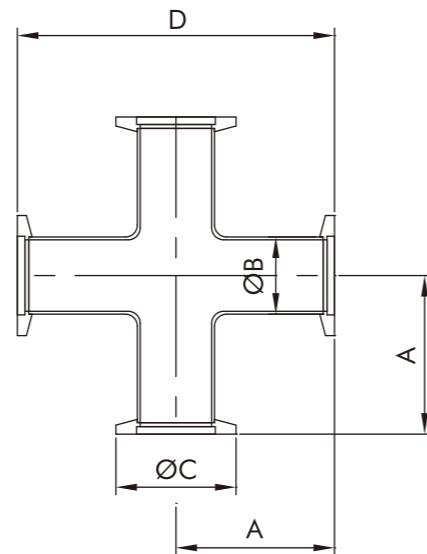
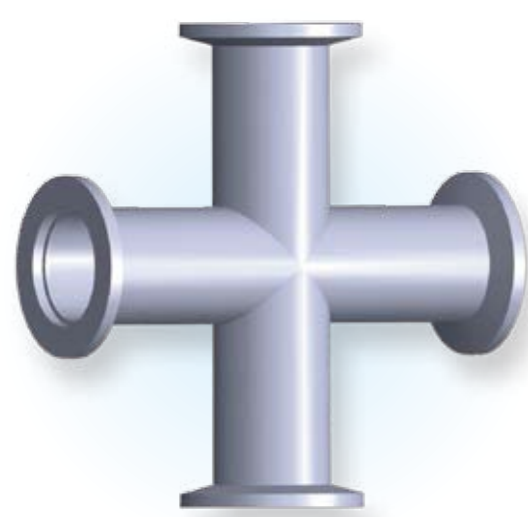


SIZE	Standard	A	B	C	D	Parts No
KF16	U.S.A	38.3	19.05	30	76.6	EKALC-0600
KF25	U.S.A	51.4	25.4	40	102.8	EKALC-1000
KF40	U.S.A	61	38.1	55	122	EKALC-1400
KF50	U.S.A	80	50.8	75	160	EKALC-2000

SIZE	Standard	A	B	C	D	Parts No
KF16	Europe	40	19.05	30	80	EKELC-0600
KF25	Europe	50	25.4	40	100	EKELC-1000
KF40	Europe	65	38.1	55	130	EKELC-1400
KF50	Europe	70	50.8	75	140	EKELC-2000

Materials S.S.304, 304L, 316L and Sizes can be customized per customers' designs and requirements.

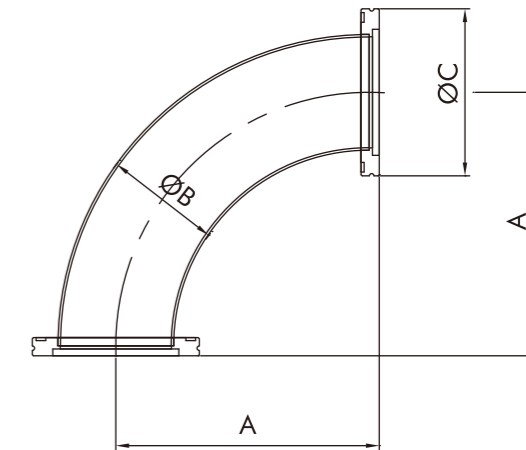
## ► KF 4 Way Crosses



SIZE	Standard	A	B	C	D	Parts No
KF16	U.S.A	38.3	19.05	30	76.6	EKA4C-0600
KF25	U.S.A	51.4	25.4	40	102.8	EKA4C-1000
KF40	U.S.A	61	38.1	55	122	EKA4C-1400
KF50	U.S.A	80	50.8	75	160	EKA4C-2000

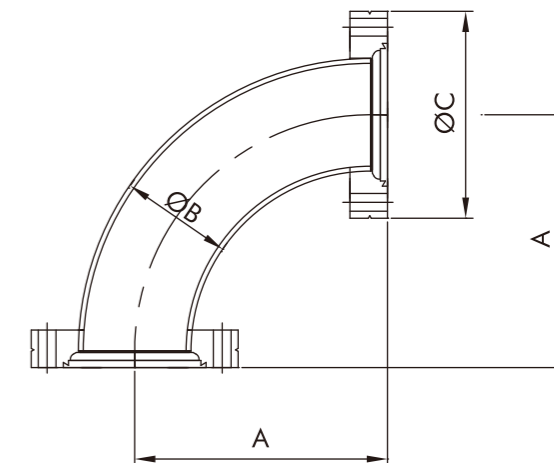
SIZE	Standard	A	B	C	D	Parts No
KF16	Europe	40	19.05	30	80	EKE4C-0600
KF25	Europe	50	25.4	40	100	EKE4C-1000
KF40	Europe	65	38.1	55	130	EKE4C-1400
KF50	Europe	70	50.8	75	140	EKE4C-2000

## ► ISO 90° Elbow



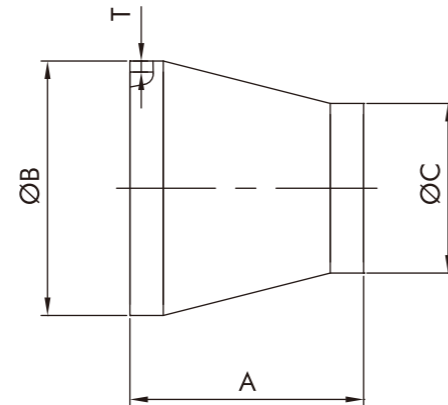
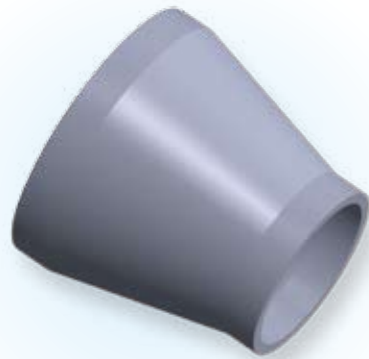
SIZE	A	B	C	Parts No
ISO63	138.4	63.5	95	EOAAC-2400
ISO80	166.9	76.2	110	EOAAC-3000
ISO100	217.7	101.6	130	EOAAC-4000
ISO160	235.2	152.4	180	EOAAC-6000

## ► CF 90° Elbow



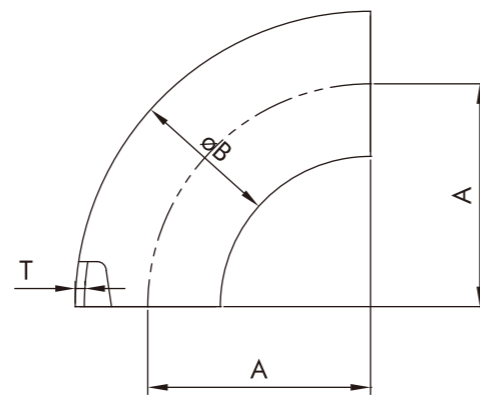
SIZE	A	B	C	Parts No
CF16	37.5	19.05	33.8	ECAAH-0600
CF35	79.9	38.1	69.5	ECAAH-400
CF63	141.3	63.5	113.6	ECAAH-2400
CF100	222.2	101.6	151.6	ECAAH-4000
CF150	241.3	152.4	202.5	ECAAH-6000

## Conical Reducers



SIZE	A	B	C	T	Parts No
NW25*NW16	35	25.4	19.05	1.5	EKCW-1006
NW40*NW16	60.3	38.1	19.05	1.65	EKCW-1406
NW40*NW25	60.3	38.1	25.4	1.65	EKCW-1410
NW50*NW25	60.3	50.8	25.4	1.65	EKCW-2010
NW50*NW40	60.3	50.8	38.1	1.65	EKCW-2014

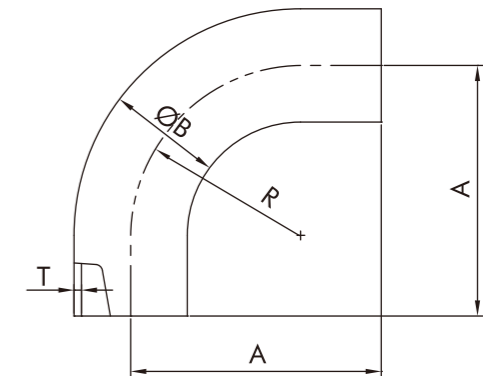
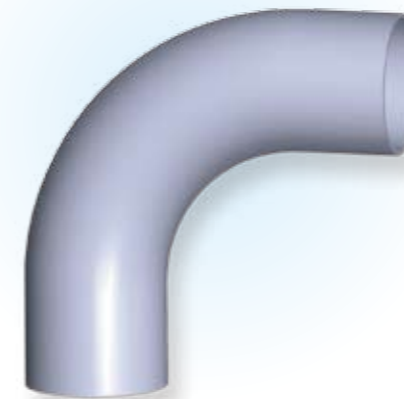
## 90° Elbow



SIZE	A	B	T	Parts No
1/2"	25.4	12.7	1.65	EKA1W-0400
3/4"	28.6	19.05	1.65	EKA1W-0600
1"	38.1	25.4	1.65	EKA1W-1000
1-1/2"	57.2	38.1	1.65	EKA1W-1400
2"	76.2	50.8	1.65	EKA1W-2000
2-1/2"	95.2	63.5	1.65	EKA1W-2400
3"	114.3	76.2	1.65	EKA1W-3000
4"	152.4	101.6	2.1	EKA1W-4000

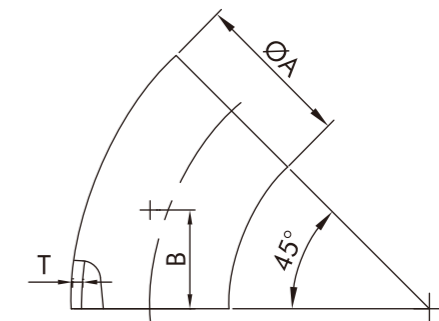
Materials S.S.304, 304L, 316L and Sizes can be customized per customers' designs and requirements.

## 90° Elbow With Tangents



SIZE	A	B	R	T	Parts No
3/4"	34.5	19.05	28.6	1.65	EKA AW-0600
1"	52.4	25.4	38.1	1.65	EKA AW-1000
1.5"	74.6	38.1	57.2	1.65	EKA AW-1400
2"	103.2	50.8	76.2	1.65	EKA AW-2000
2.5"	131.8	63.5	95.2	1.65	EKA AW-2400
3"	160.3	76.2	114.3	1.65	EKA AW-3000
4"	211.1	101.6	152.4	2.1	EKA AW-4000

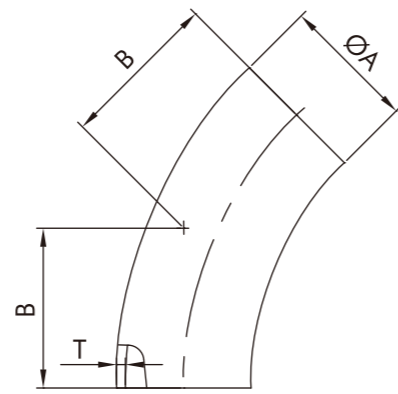
## 45° Elbow



SIZE	A	B	T	Parts No
3/4"	19.05	10.8	1.65	EKABW-0600
1"	25.4	15.9	1.65	EKABW-1000
1.5"	38.1	23.8	1.65	EKABW-1400
2"	50.8	31.8	1.65	EKABW-2000
2.5"	63.5	39.7	1.65	EKABW-2400
3"	76.2	47.6	1.65	EKABW-3000
4"	101.6	63.5	2	EKABW-4000

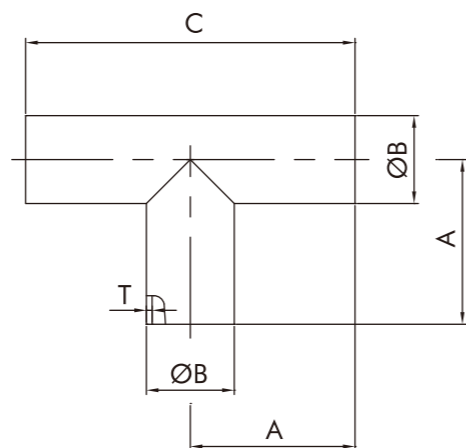
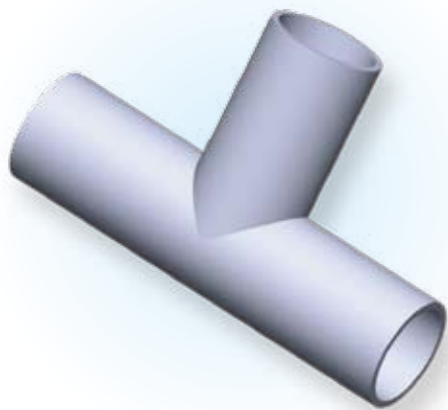
Materials S.S.304, 304L, 316L and Sizes can be customized per customers' designs and requirements.

## ► 45° Elbow With Tangents



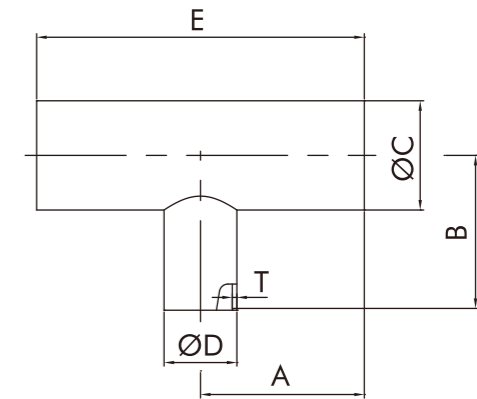
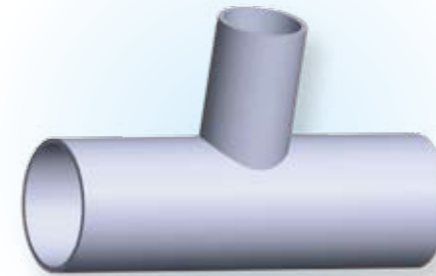
SIZE	A	B	T	Parts No
3/4"	19.05	19.3	1.65	EKABW-0600
1"	25.4	30.2	1.65	EKABW-1000
1.5"	38.1	41.3	1.65	EKABW-1400
2"	50.8	58.7	1.65	EKABW-2000
2.5"	63.5	76.2	1.65	EKABW-2400
3"	76.2	93.7	1.65	EKABW-3000
4"	101.6	122.2	2	EKABW-4000

## ► Equal Tees



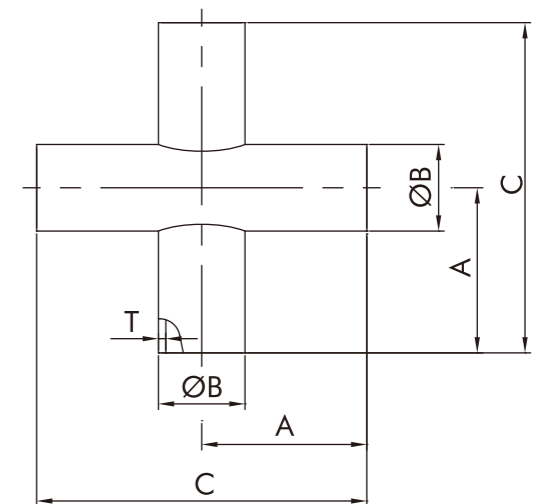
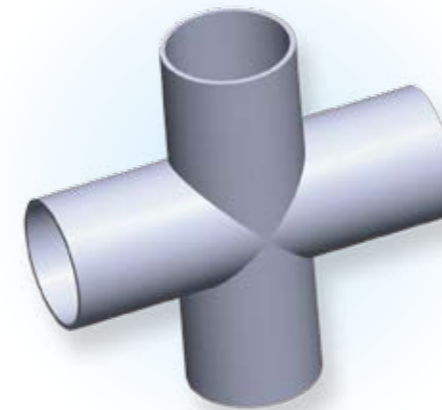
SIZE	A	B	C	T	Parts No
3/4"	34.5	19.05	69	1.65	EKA3W-0600
1"	47.6	25.4	95.2	1.65	EKA3W-1000
1.5"	57.2	38.1	114.3	1.65	EKA3W-1400
2"	76.2	50.8	152.4	1.65	EKA3W-2000
2.5"	76.2	63.5	152.4	1.65	EKA3W-2400
3"	82.5	76.2	165.1	1.65	EKA3W-3000
4"	98.4	101.6	196.8	2	EKA3W-4000

## ► Unequal Tees



SIZE	A	B	C	D	E	T	Parts No
1"X3/4"	48.2	33.7	25.4	19.05	96.4	1.65	EKATW-1006
1.5"X3/4"	57.2	48.2	38.1	19.05	114.3	1.65	EKATW-1406
1.5"X1"	57.2	54	38.1	25.4	114.3	1.65	EKATW-1410
2"X3/4"	76.2	54.4	50.8	19.05	152.4	1.65	EKATW-2006
2"X1"	76.2	60.3	50.8	25.4	152.4	1.65	EKATW-2010
2"X1.5"	76.2	63.5	50.8	38.1	152.4	1.65	EKATW-2014

## ► Equal 4 Way Crosses



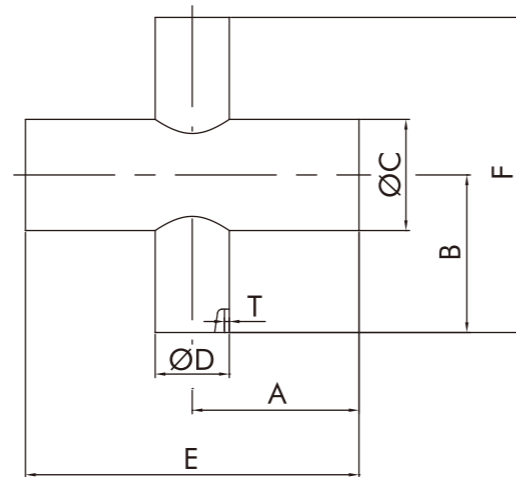
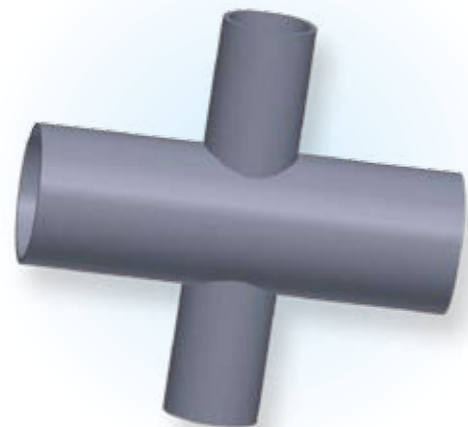
SIZE	A	B	C	T	Parts No
3/4"	34.5	19.05	69	1.65	EKA4W-0600
1"	47.6	25.4	95.2	1.65	EKA4W-1000
1.5"	57.2	38.1	114.3	1.65	EKA4W-1400
2"	76.2	50.8	152.4	1.65	EKA4W-2000
2.5"	76.2	63.5	152.4	1.65	EKA4W-2400
3"	82.5	76.2	165.1	1.65	EKA4W-3000
4"	98.4	101.6	196.8	2	EKA4W-4000
6"	127	152.4	254	2.7	EKA4W-6000

Materials S.S.304, 304L, 316L and Sizes can be customized per customers' designs and requirements.

Materials S.S.304, 304L, 316L and Sizes can be customized per customers' designs and requirements.



## ► Unequal 4 Way Crosses

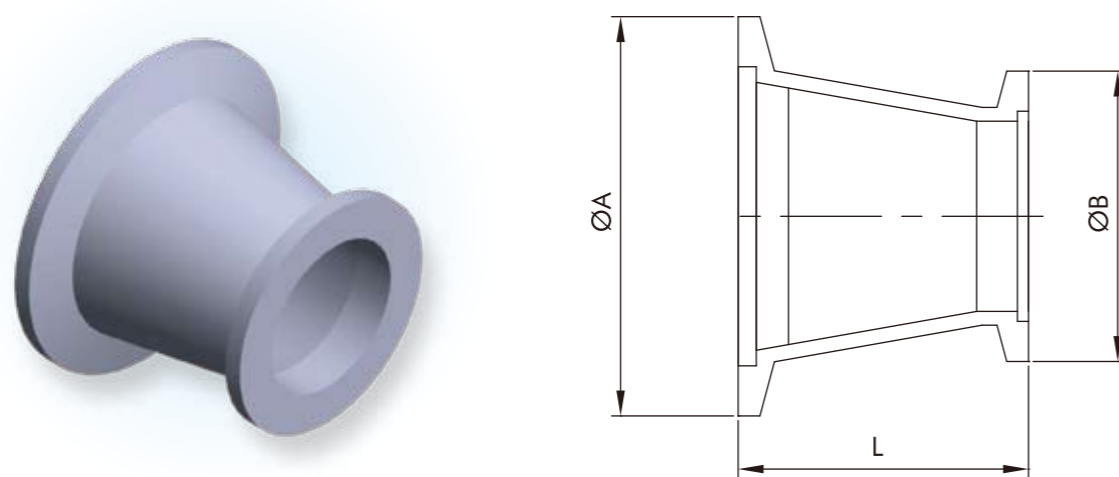


SIZE	A	B	C	D	E	F	T	Parts No
1X3/4"	48.2	33.7	25.4	19.05	96.4	67.4	1.65	EKA8W-1006
1.5"X3/4"	57.2	48.2	38.1	19.05	114.3	96.4	1.65	EKA8W-1406
1.5"X1"	57.2	54	38.1	25.4	114.3	108	1.65	EKA8W-1410
2"X3/4"	76.2	54.4	50.8	19.05	152.4	108.8	1.65	EKA8W-2006
2"X1"	76.2	60.3	50.8	25.4	152.4	120.6	1.65	EKA8W-2010
2"X1.5"	76.2	63.5	50.8	38.1	152.4	127	1.65	EKA8W-2014
3"X2.5"	82.5	82.5	76.2	63.5	165	165	1.65	EKA8W-3024
4"X2"	98.4	101.6	101.6	50.8	196.8	203.2	2	EKA8W-4020
4"X2.5"	98.4	95.3	101.6	63.5	196.8	190.6	2	EKA8W-4024
4"X3"	98.4	95.3	101.6	76.2	196.8	190.6	2	EKA8W-4030
6"X3"	127	120.7	152.4	76.2	254	241.4	2.77	EKA8W-6030
6"X4"	127	123.8	152.4	101.6	254	247.6	2.77	EKA8W-6040

# ADAPTOR Series

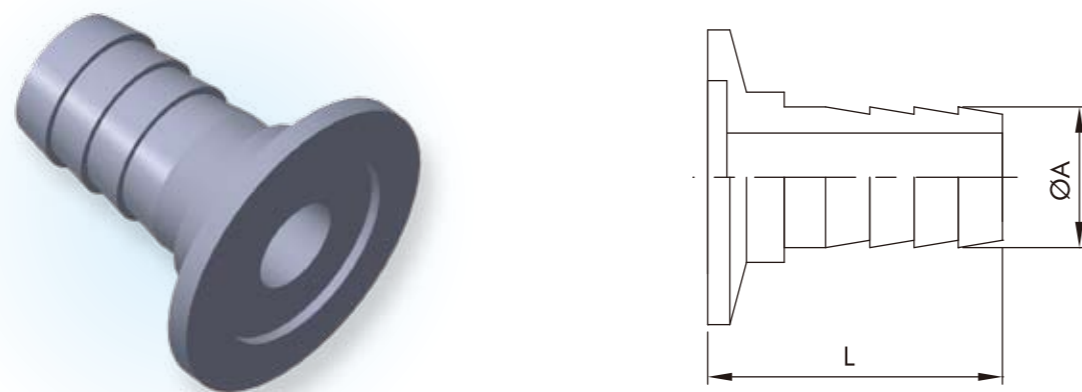


## ► KF Conical Reducing Adaptor



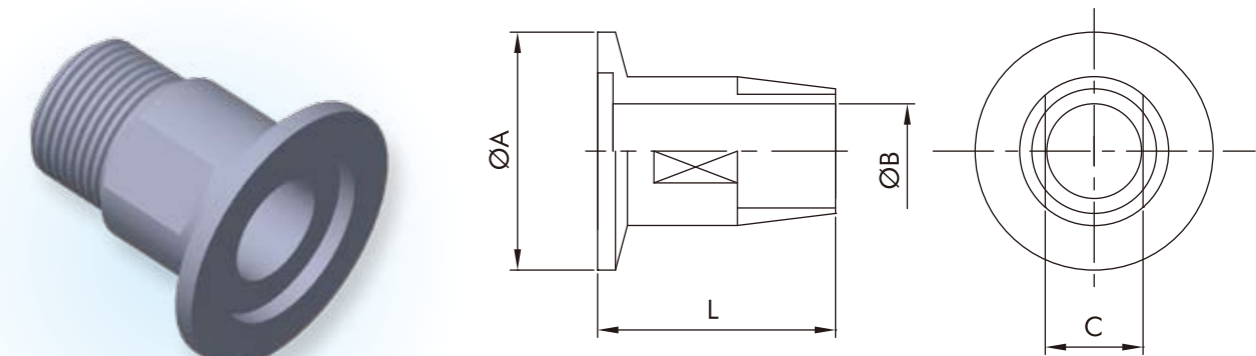
SIZE	A	B	L	Parts No
KF25X16	40	30	40	STKR-1006
KF40X16	55	30	40	STKR-1406
KF40X25	55	40	40	STKR-1410
KF50X16	75	30	40	STKR-2006
KF50X25	75	40	40	STKR-2010
KF50X40	75	55	40	STKR-2014

## ► KF Rubber Hose Adaptor



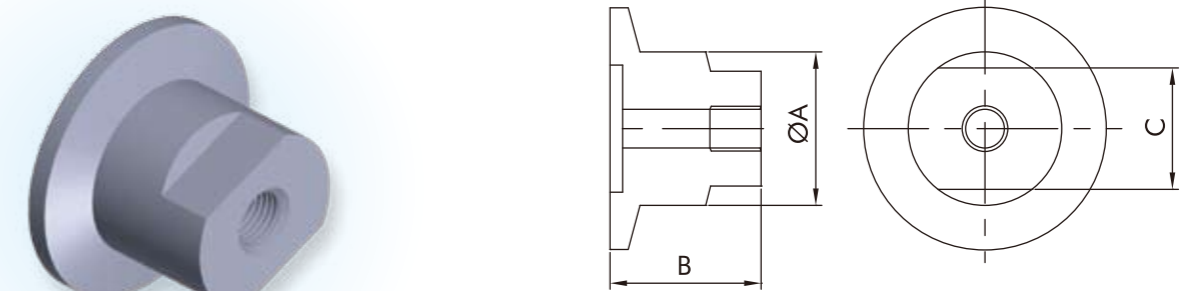
SIZE	A	L	Hose Size	Parts No
KF10	16	40	5/8"	STKH-0400
KF16	19.1	40	3/4"	STKH-0600
KF25	22.2	40	7/8"	STKH-1000
KF40	41.3	40	1-5/8"	STKH-1400
KF50	47.7	40	1-7/8"	STKH-2000

## ► KF Male Pipe Adaptor



SIZE	A	B	C	L	Thread Type: PT		Thread Type: NPT	
					Thread	Parts No	Thread	Parts No
KF16	30	4.7	10	35	1/8"PT	STKMPT-0601	1/8"NPT	STKMNP-0601
KF16	30	7.1	14	35	1/4"PT	STKMPT-0602	1/4"NPT	STKMNP-0602
KF25	40	4.7	10	35	1/8"PT	STKMPT-1001	1/8"NPT	STKMNP-1001
KF25	40	7.1	14	35	1/4"PT	STKMPT-1002	1/4"NPT	STKMNP-1002
KF25	40	11.9	22	40	1/2"PT	STKMPT-1004	1/2"NPT	STKMNP-1004
KF25	40	15.9	27	40	3/4"PT	STKMPT-1006	3/4"NPT	STKMNP-1006
KF40	55	7.1	14	35	1/4"PT	STKMPT-1402	1/4"NPT	STKMNP-1402
KF40	55	11.9	22	40	1/2"PT	STKMPT-1404	1/2"NPT	STKMNP-1404
KF40	55	15.9	27	40	3/4"PT	STKMPT-1406	3/4"NPT	STKMNP-1406
KF40	55	22.2	36	45	1"PT	STKMPT-1410	1"NPT	STKMNP-1410
KF50	75	7.1	14	35	1/4"PT	STKMPT-2002	1/4"NPT	STKMNP-2002
KF50	75	11.9	22	40	1/2"PT	STKMPT-2004	1/2"NPT	STKMNP-2004
KF50	75	15.9	27	40	3/4"PT	STKMPT-2006	3/4"NPT	STKMNP-2006
KF50	75	22.2	36	45	1"PT	STKMPT-2010	1"NPT	STKMNP-2010

## ► KF-Female Pipe Adapter



SIZE	A	B	C	Thread Type: PT		Thread Type: NPT	
				Thread	Parts No	Thread	Parts No
KF16	19.05	25	17	1/8"PT	STKFPT-0601	1/8"NPT	STKFNP-0601
KF25	25.4	25	19	1/8"PT	STKFPT-1001	1/8"NPT	STKFNP-1001
KF40	38.1	25	32	1/8"PT	STKFPT-1401	1/8"NPT	STKFNP-1401
KF50	50.8	25	46	1/8"PT	STKFPT-2001	1/8"NPT	STKFNP-2001
KF16	19.05	25	17	1/4"PT	STKFPT-0602	1/4"NPT	STKFNP-0602
KF25	25.4	25	19	1/4"PT	STKFPT-1002	1/4"NPT	STKFNP-1002
KF40	38.1	25	32	1/4"PT	STKFPT-1402	1/4"NPT	STKFNP-1402
KF50	50.8	25	46	1/4"PT	STKFPT-2002	1/4"NPT	STKFNP-2002

Materials S.S.304, 304L, 316L and Sizes can be customized per customers' designs and requirements.

Materials S.S.304, 304L, 316L and Sizes can be customized per customers' designs and requirements.



[www.egtmake.com.tw](http://www.egtmake.com.tw)



**詠晟科技股份有限公司**  
**EVERFIT TECHNOLOGY CO., LTD.**

台灣 彰化縣和美鎮柑竹路89號

No.89, Ganzhu Rd., Hemei Township, Changhua County 508, Taiwan

TEL:+886-4-7573121 . +886-4-7579958

FAX:+886-4-7573134 . +886-4-7578689

E-mail:[eft@eft.com.tw](mailto:eft@eft.com.tw)